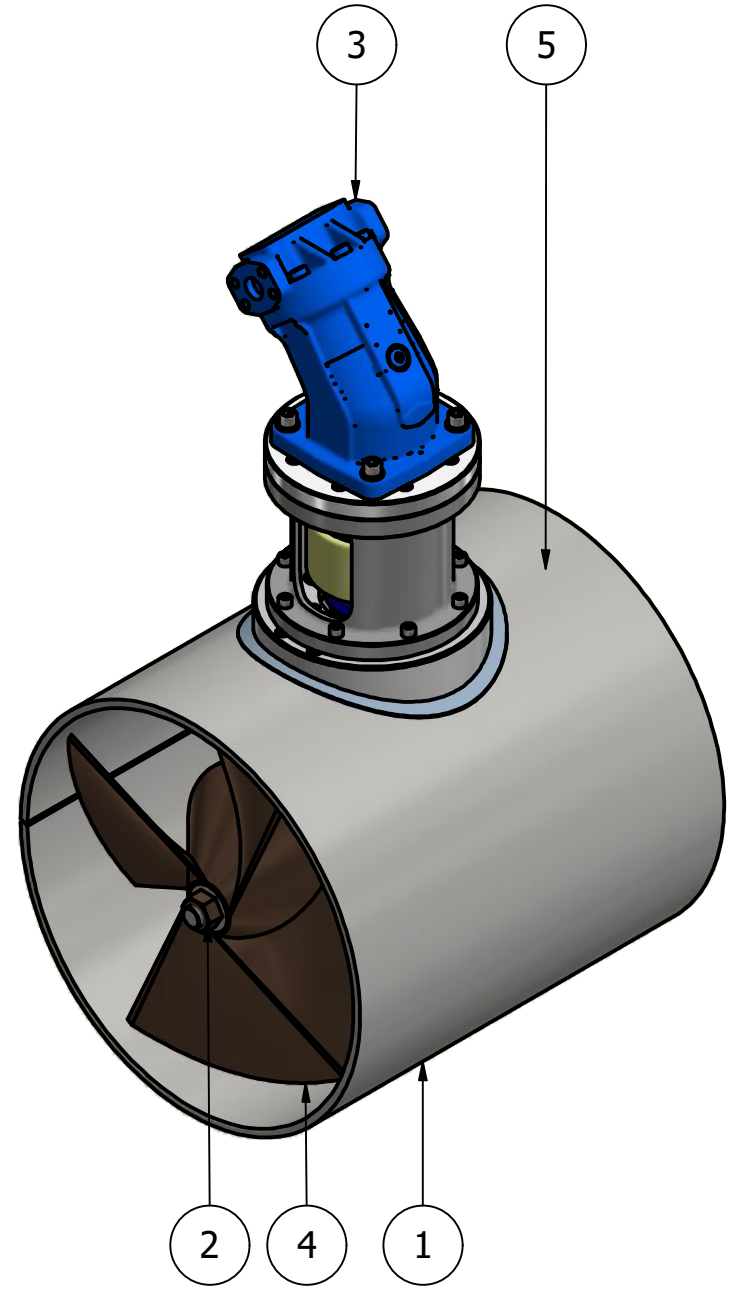
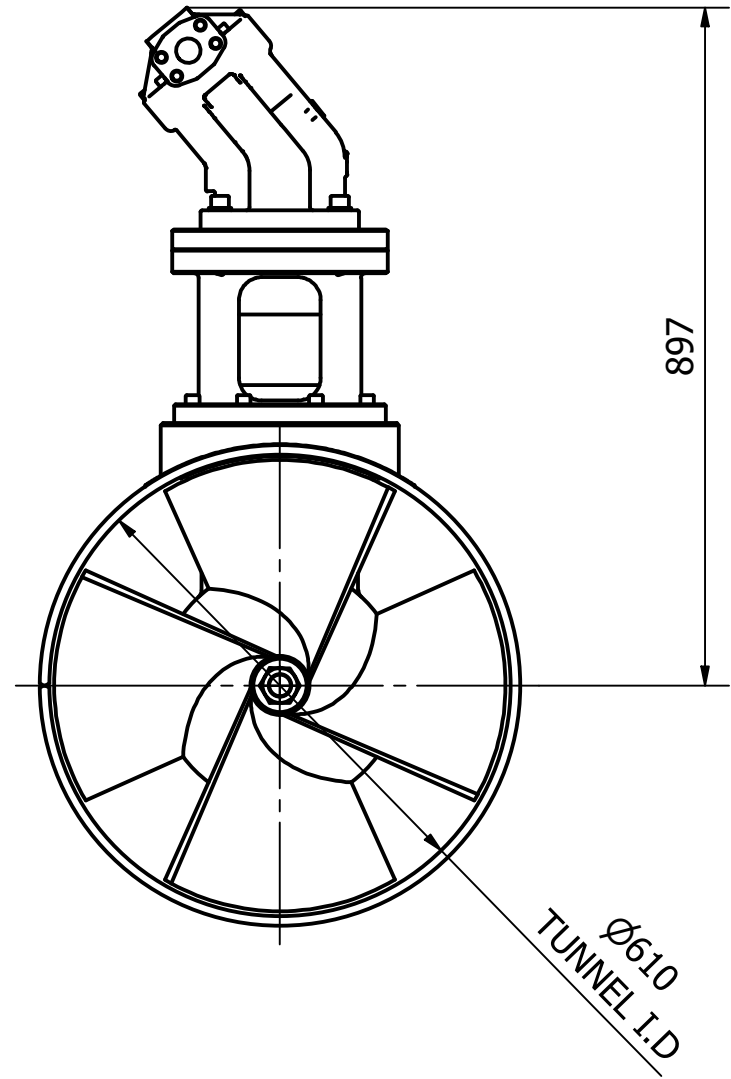
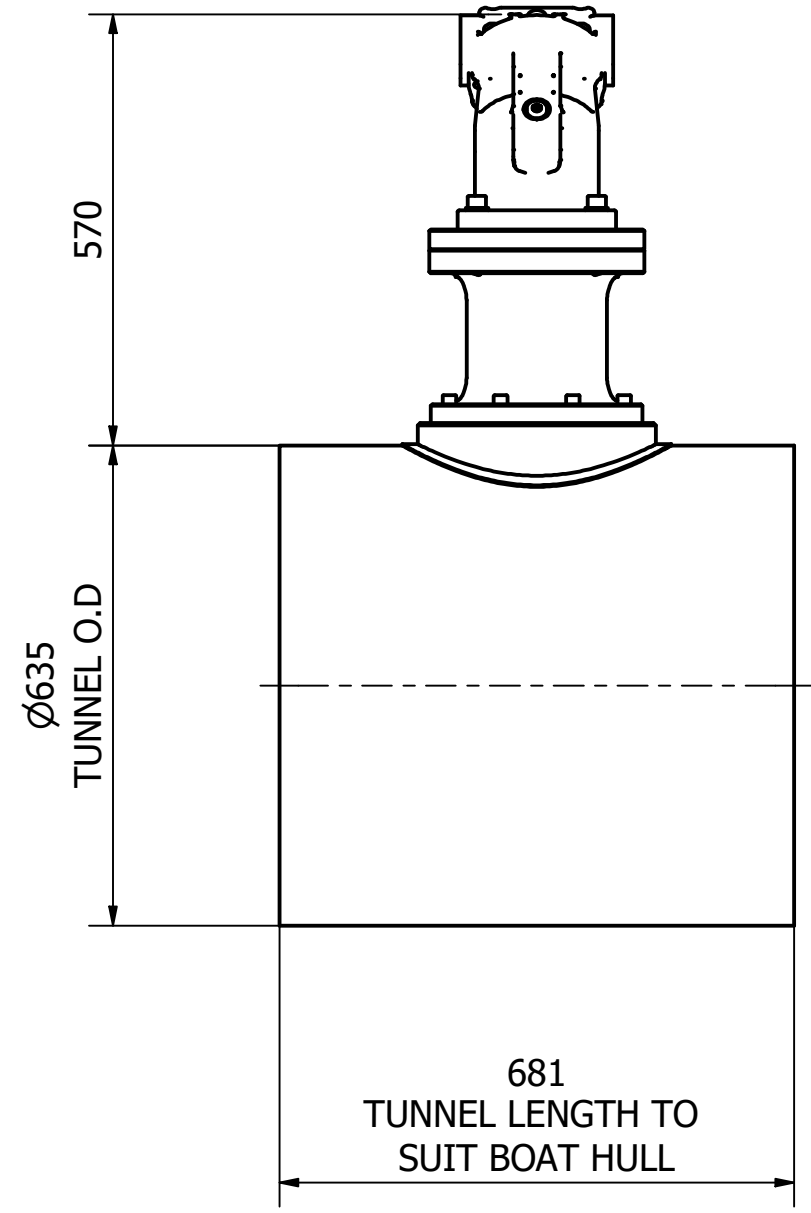




ITEM	QTY	PART NUMBER
1	1	TUNNEL ASSEMBLY
2	1	POD ASSEMBLY
3	1	MOTOR ASSEMBLY
4	1	PROPELLER 1
5	1	PROPELLER 2

NOMINAL PROP DIA	600mm
POWER RANGE	99-142Kw (133-190hp)
MIN / MAX THRUST	1188-1704kgf (2619-3757lbf)
WEIGHT APPROXIMATELY (EXCL TUNNEL)	359kg (791lb)
STANDARD PRESSURE	305 BAR
NOMINAL FLOW	310 L/min



 <p>OCEAN MARINE SYSTEMS</p> <p>Tel: +44 (0)1202 596630 www.oceanmarinesystems.co.uk</p>	Title		Revision		Dimensions in millimeters & degrees				
	TUNNEL THRUSTER - HYDRAULIC		1		Gen. Tolerance ± 0.2				
	Drawing No.		Material	Finish		Gen. Finish 3.2 ✓			
	H-0600-T					 <p><i>If in doubt ask!</i></p>			
Sheet	Scale	Mass	Date Drawn	By	Modified Date	By	Cert.	Insp.	Grade
1 of 1	NTS @ A3	N/A	03/03/2020	JG					

© Copyright. All rights to this drawing and design are the sole property of Ocean Marine Systems Ltd. This drawing must not be copied, communicated or loaned to any third party without the written consent of Ocean Marine Systems Ltd.