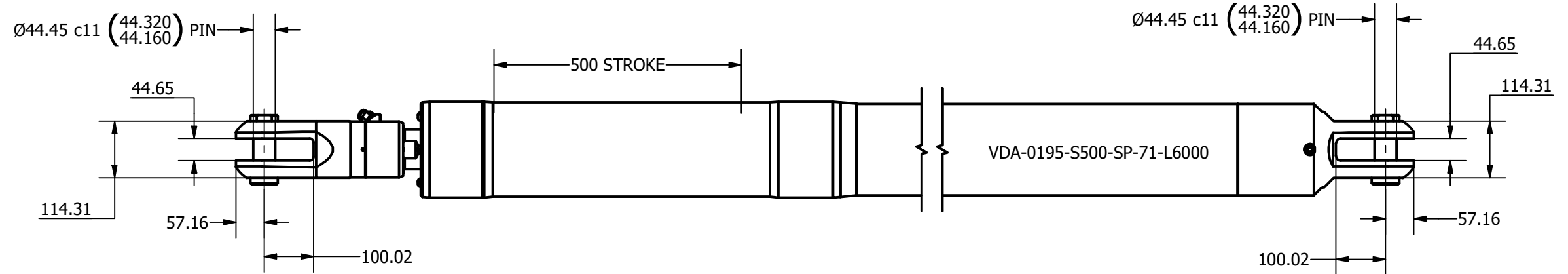
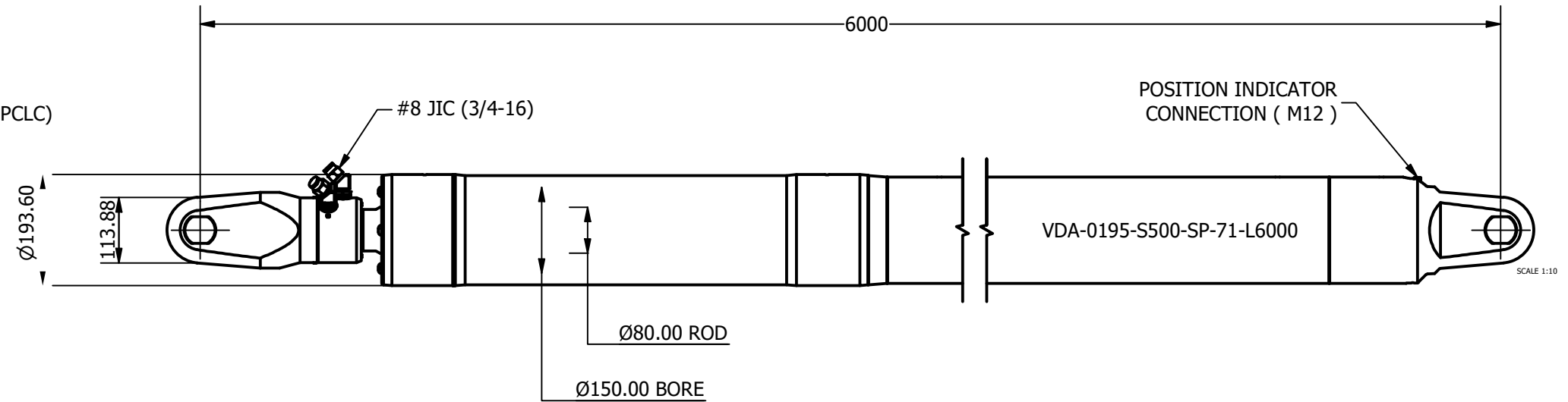


SIZE -0195
 MAX PCLC 6000 mm
 PIN / GAP 44.45 mm
 BORE DIA 150 mm
 ROD DIA 80 mm
 STROKE 500 mm
 ESTIMATED WEIGHT (@6000mm PCLC) 265.1 Kg (-0.035 Kg/mm PCLC)
 FULL BORE AREA (PUSHING/EXTENDING) 17671 mm²
 ANNULUS AREA (PULLING/RETRACTING) 12645 mm²
 OIL DISPLACEMENT (FULL BORE SIDE) 8.84 ltrs
 OIL DISPLACEMENT (ANNULUS SIDE) 6.32 ltrs
 MAXIMUM PUSH RELIEF @ 75 BAR 13510 Kg (132536 N)
 PULL FORCE @ 150 BAR 19335 Kg (189674 N)
 PULL FORCE @ 250 BAR 32225 Kg (316123 N)
 MAXIMUM PULL RELIEF @ 350 BAR 45114 Kg (442572 N)

PI SIGNAL = 4-20mA



NOTE: CUSTOM STROKES, LENGTHS AND CLEVIS DIMENSIONS AVAILABLE UPON REQUEST

	Title ALUMINIUM DOUBLE ACTING VANG		Revision 2
	Drawing No. VDA-0195-S500-SP-71-L6000		Date Drawn By 09/11/2021 AL
	Tel: +44 (0)1202 596630 www.oms.ltd		© Copyright. All rights to this drawing and design are the sole property of OMS Ltd. This drawing must not be copied, communicated or loaned to any third party without the written consent of OMS Ltd.