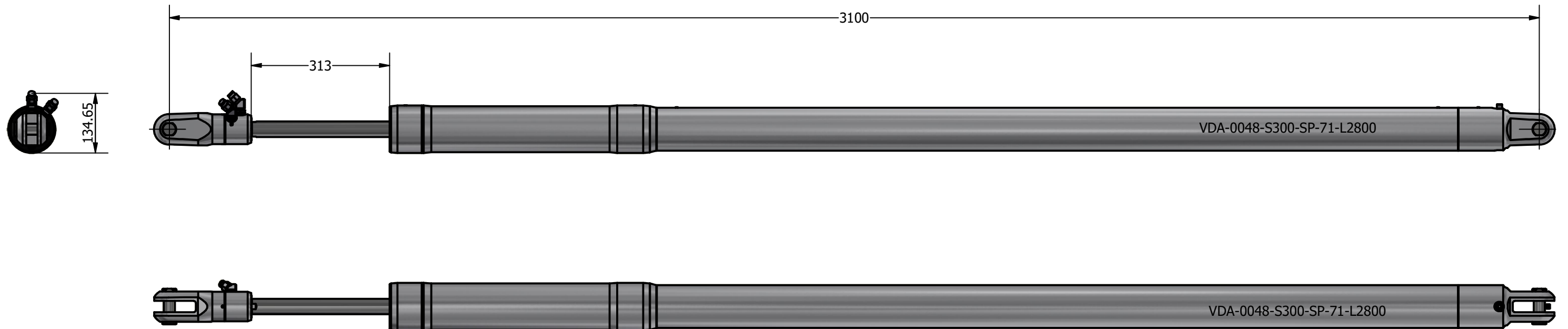
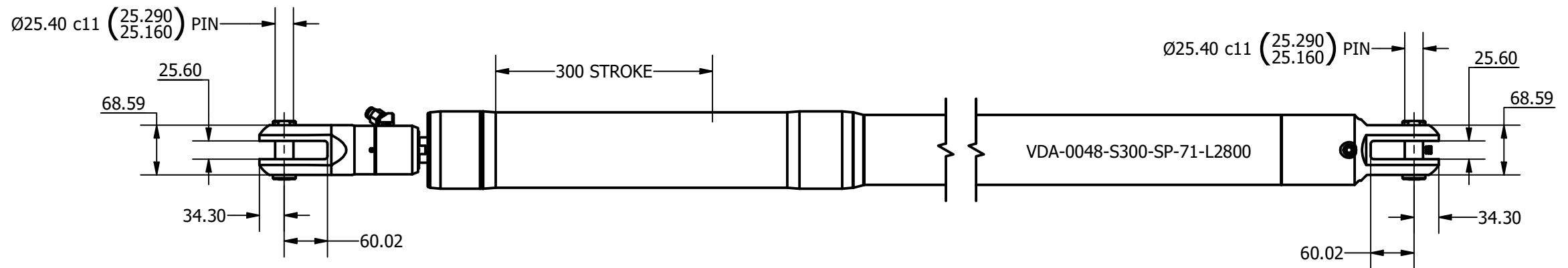
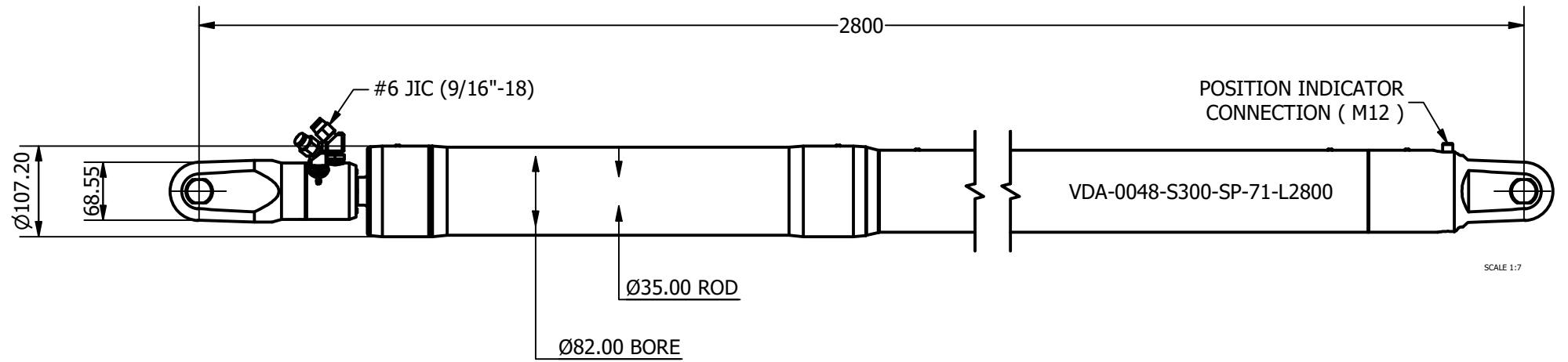


SIZE	-0048
MAX PCLC	2800 mm
PIN / GAP	25.40 mm
BORE DIA	82 mm
ROD DIA	35 mm
STROKE	300 mm
ESTIMATED WEIGHT (@2800mm PCLC)	36.6 Kg (-0.009 Kg/mm PCLC)
FULL BORE AREA (PUSHING/EXTENDING)	5281 mm ²
ANNULUS AREA (PULLING/RETRACTING)	4319 mm ²
OIL DISPLACEMENT (FULL BORE SIDE)	1.58 ltrs
OIL DISPLACEMENT (ANNULUS SIDE)	1.30 ltrs
MAXIMUM PUSH RELIEF @ 75 BAR	4037 Kg (39608 N)
PULL FORCE @ 150 BAR	6604 Kg (64784 N)
PULL FORCE @ 250 BAR	11006 Kg (107973 N)
MAXIMUM PULL RELIEF @ 350 BAR	15409 Kg (151162 N)

PI SIGNAL = 4-20mA



NOTE: CUSTOM STROKES, LENGTHS AND CLEVIS DIMENSIONS AVAILABLE UPON REQUEST

	Title ALUMINIUM DOUBLE ACTING VANG		Revision 2
	Drawing No. VDA-0048-S300-SP-71-L2800		Date Drawn 08/11/2021
	Tel: +44 (0)1202 596630 www.oms.ltd		By AL

© Copyright. All rights to this drawing and design are the sole property of OMS Ltd. This drawing must not be copied, communicated or loaned to any third party without the written consent of OMS Ltd.