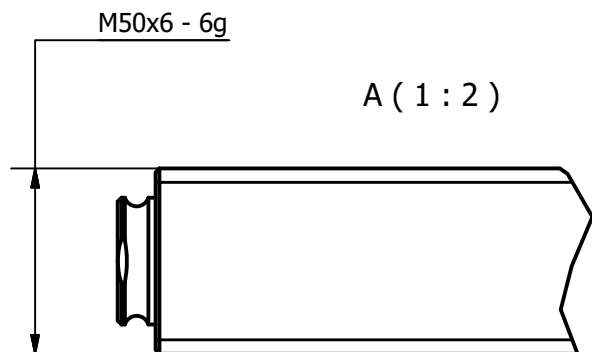
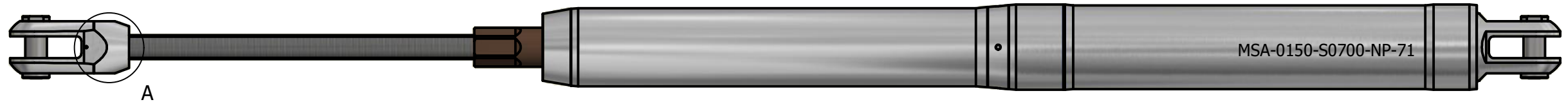
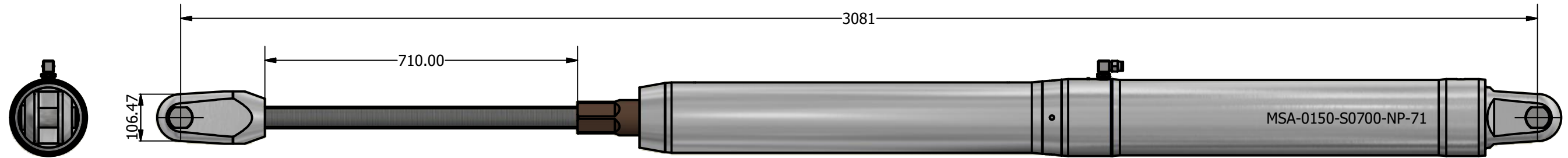
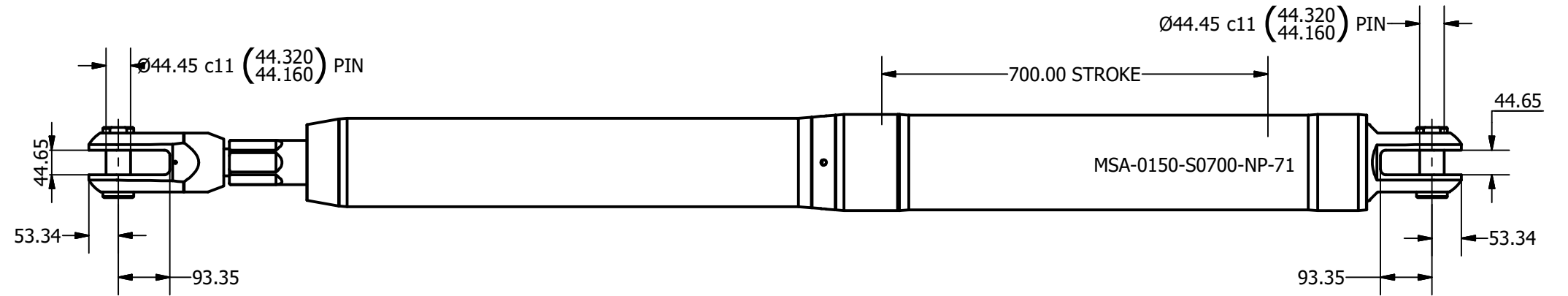
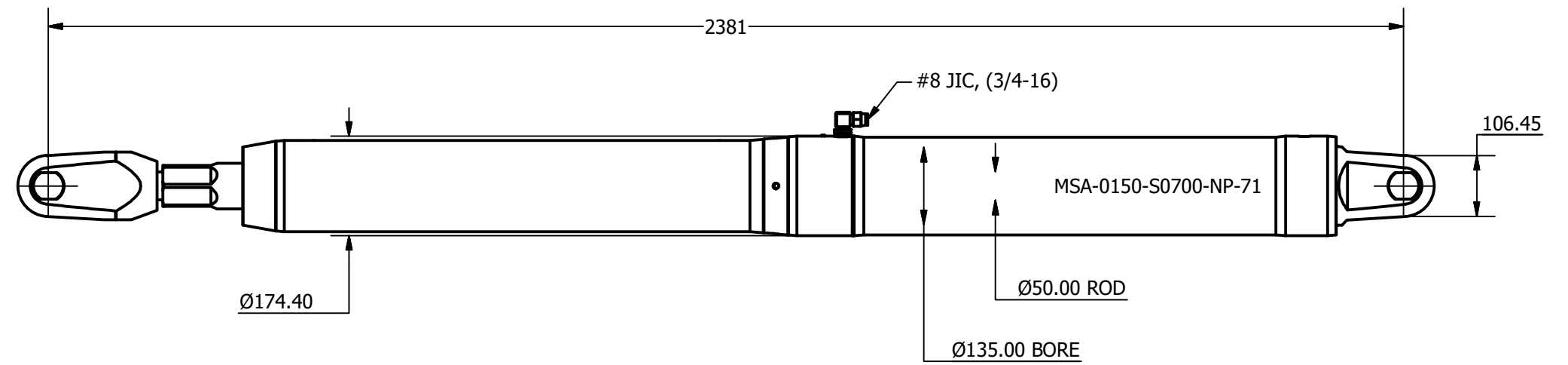




| | |
|------------------------------------|-----------------------|
| SIZE | -0150 |
| PCLC | 2381 mm |
| PIN / GAP | 44.45 mm |
| BORE DIA | 135 mm |
| ROD DIA | 50 mm |
| STROKE | 700 mm |
| WEIGHT | 108.81 Kg |
| FULL BORE AREA (PUSHING/EXTENDING) | 14314 mm ² |
| ANNULUS AREA (PULLING/RETRACTING) | 12350 mm ² |
| OIL DISPLACEMENT (FULL BORE SIDE) | 10.02 ltrs |
| OIL DISPLACEMENT (ANNULUS SIDE) | 8.65 ltrs |
| MAXIMUM PUSH FORCE @ 5 BAR | 730 Kg (7157 N) |
| PULL FORCE @ 150 BAR | 18884 Kg (185256 N) |
| PULL FORCE @ 250 BAR | 31474 Kg (308760 N) |
| MAX PULL FORCE @ 350 BAR (RELIEF) | 44064 Kg (432264 N) |



NOTE: CUSTOM STROKES, LENGTHS AND CLEVIS DIMENSIONS AVAILABLE UPON REQUEST

| | | | | | | | | | |
|---|---|-------------|--------------------------|-------------------------|---|--|--|--|----|
|  Tel: +44 (0)1202 596600 www.oceanyachtsystems.co.uk | Title ALUMINIUM SINGLE ACTING MECHANICAL LOCK CYLINDER | | Revision 1 | | Dimensions in millimeters & degrees Gen. Tolerance ± 0.25 Gen. Finish 3.2 | | | | |
| | Drawing No. MSA-0150-S0700-NP-71 | | Material | Finish ANODISE BLACK | |  If in doubt ask! | | | |
| Sheet 1 of 1 | Scale 1:8 @ A3 | Mass N/A | Date Drawn 24/04/2018 | By A.N. | Modified Date | | | | By |