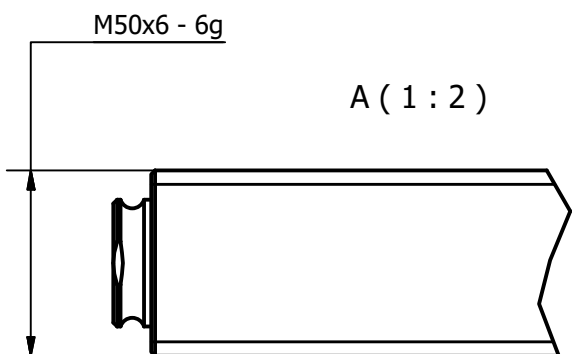
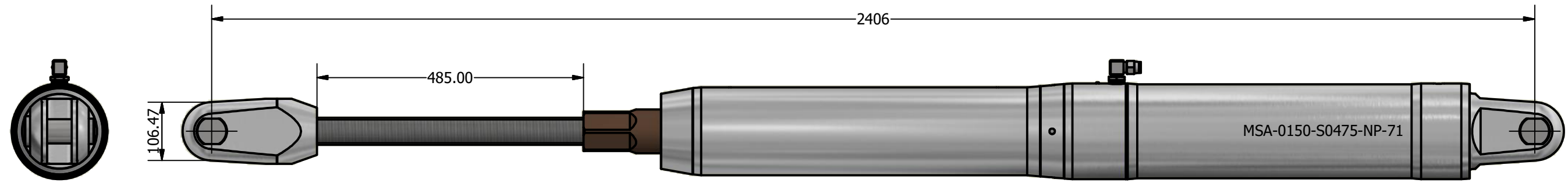
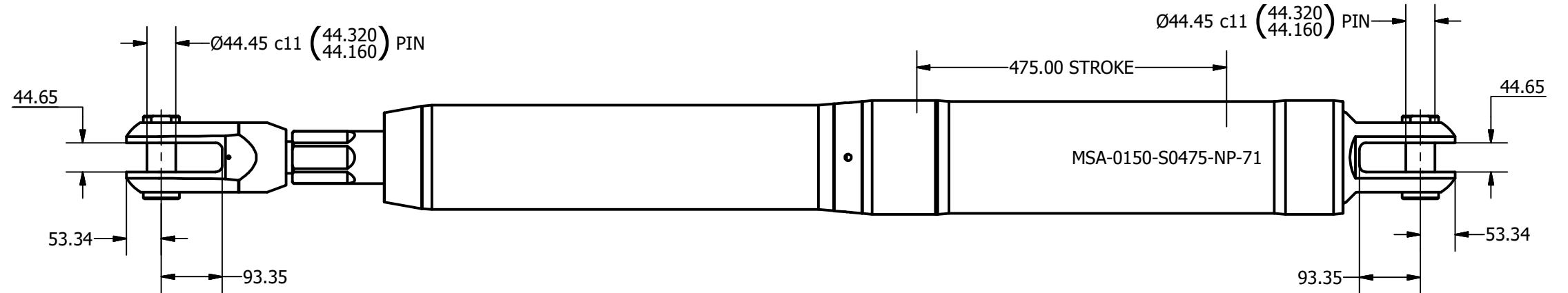
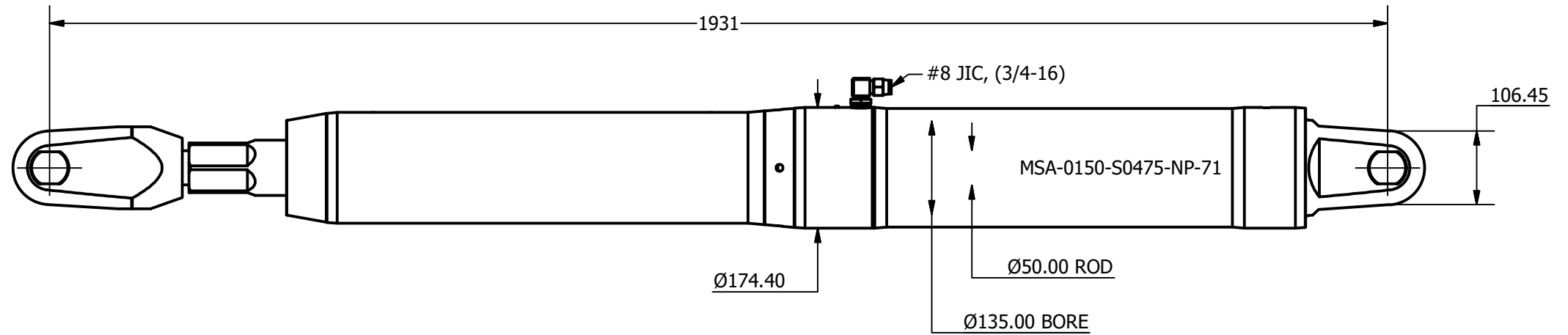


SIZE	-0150
PCLC	1931 mm
PIN / GAP	44.45 mm
BORE DIA	135 mm
ROD DIA	50 mm
STROKE	475 mm
WEIGHT	92.78 Kg
FULL BORE AREA (PUSHING/EXTENDING)	14314 mm <sup>2</sup>
ANNULUS AREA (PULLING/RETRACTING)	12350 mm <sup>2</sup>
OIL DISPLACEMENT (FULL BORE SIDE)	6.80 ltrs
OIL DISPLACEMENT (ANNULUS SIDE)	5.87 ltrs
MAXIMUM PUSH FORCE @ 5 BAR	730 Kg (7157 N)
PULL FORCE @ 150 BAR	18884 Kg (185256 N)
PULL FORCE @ 250 BAR	31474 Kg (308760 N)
MAX PULL FORCE @ 350 BAR (RELIEF)	44064 Kg (432264 N)



Q:\AA BRAND HYDRAULICS\MODELS INV\MSA-71\MSA-71\MSA-0150-S0475-NP-71.idw  
 Q:\AA BRAND HYDRAULICS\MODELS INV\MSA-71\MSA-71\MSA-0150-S0475-NP-71.iam

**NOTE: CUSTOM STROKES, LENGTHS AND CLEVIS DIMENSIONS AVAILABLE UPON REQUEST**

	Title ALUMINIUM SINGLE ACTING MECHANICAL LOCK CYLINDER		Revision 1	Dimensions in millimeters & degrees		
	Drawing No. MSA-0150-S0475-NP-71		Material	Finish ANODISE BLACK		Gen. Tolerance ± 0.25
	Sheet 1 of 1	Scale 1:8 @ A3	Mass N/A	Date Drawn 24/04/2018	By A.N.	Gen. Finish 3.2
	Modified Date		By		Mat. Cert. Yes	Insp. Lev. III

© Copyright. All rights to this drawing and design are the sole property of Ocean Yacht Systems Ltd. This drawing must not be copied, communicated or loaned to any third party without the written consent of Ocean Yacht Systems Ltd.