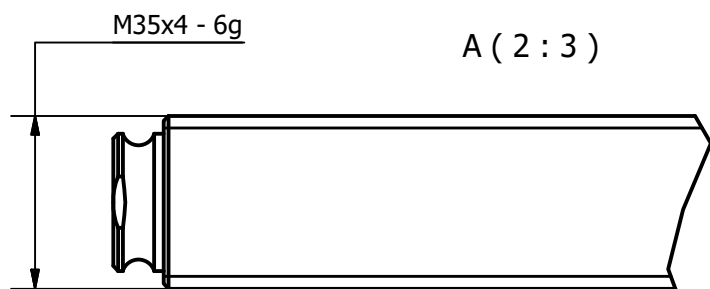
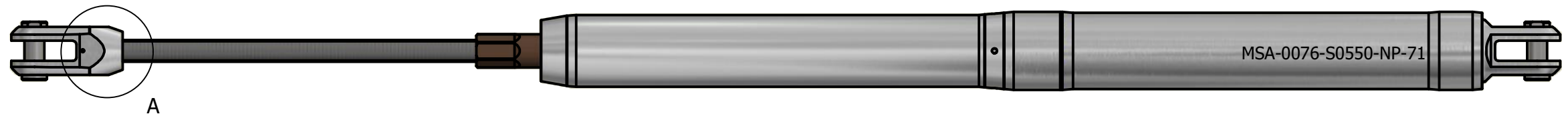
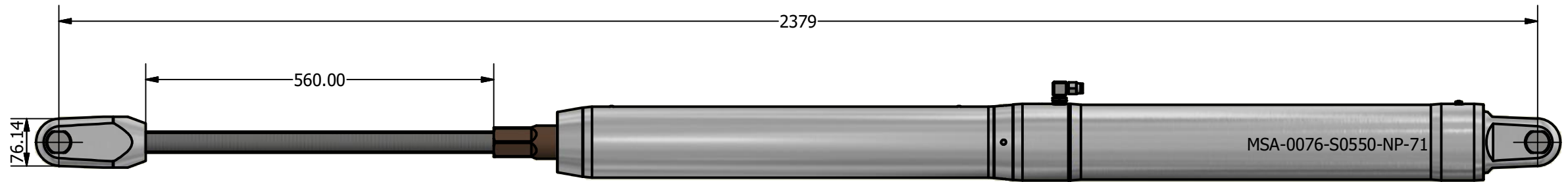
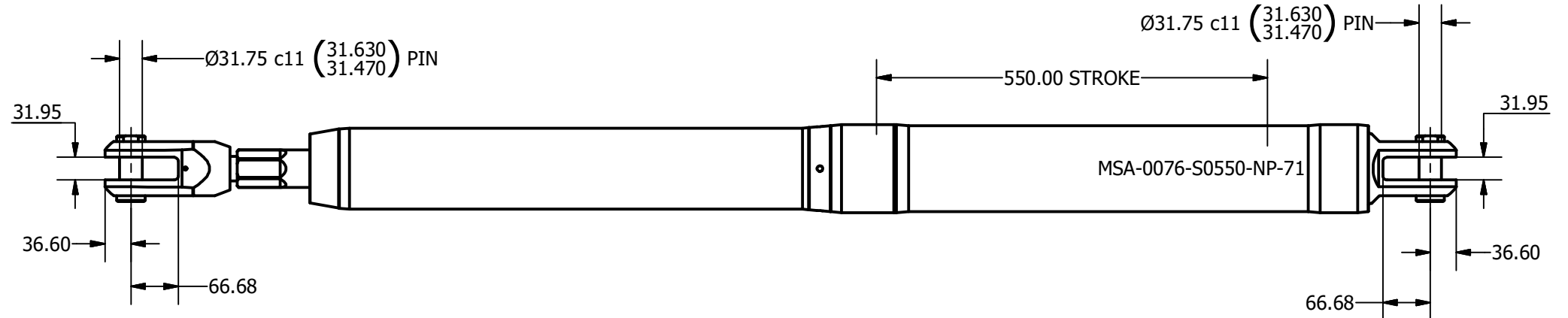
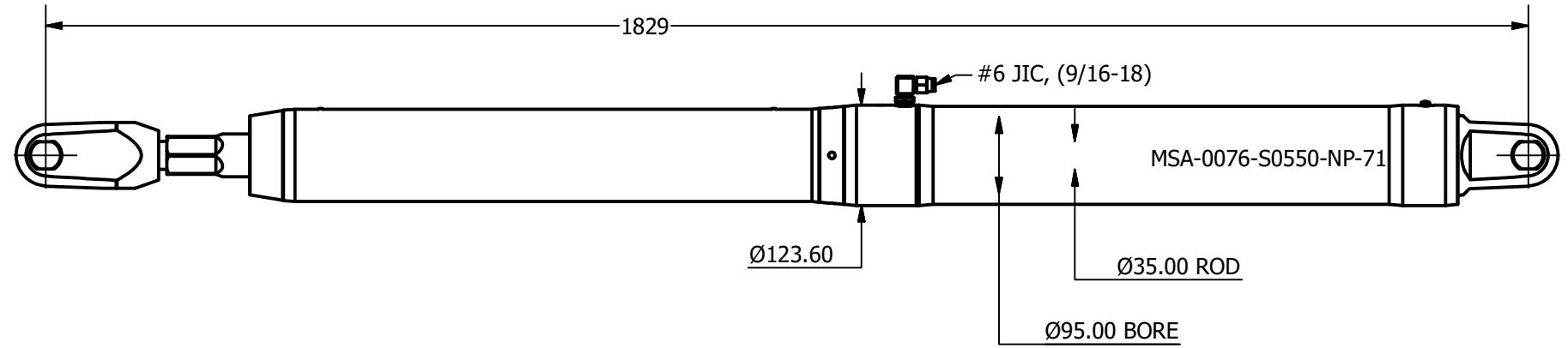

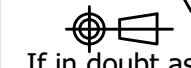


|                                    |                      |
|------------------------------------|----------------------|
| SIZE                               | -0076                |
| PCLC                               | 1829 mm              |
| PIN / GAP                          | 31.75 mm             |
| BORE DIA                           | 95 mm                |
| ROD DIA                            | 35 mm                |
| STROKE                             | 550 mm               |
| WEIGHT                             | 40.44 Kg             |
| FULL BORE AREA (PUSHING/EXTENDING) | 7088 mm <sup>2</sup> |
| ANNULUS AREA (PULLING/RETRACTING)  | 6126 mm <sup>2</sup> |
| OIL DISPLACEMENT (FULL BORE SIDE)  | 3.90 ltrs            |
| OIL DISPLACEMENT (ANNULUS SIDE)    | 3.37 ltrs            |
| MAXIMUM PUSH FORCE @ 5 BAR         | 361 Kg (3544 N)      |
| PULL FORCE @ 150 BAR               | 9367 Kg (91892 N)    |
| PULL FORCE @ 250 BAR               | 15612 Kg (153153 N)  |
| MAX PULL FORCE @ 350 BAR (RELIEF)  | 21857 Kg (214414 N)  |



**NOTE: CUSTOM STROKES, LENGTHS AND CLEVIS DIMENSIONS AVAILABLE UPON REQUEST**

|   |   |             |                          |   |               |   |
|---|---|-------------|--------------------------|---|---------------|---|
| <br>Tel: +44 (0)1202 596600<br>www.oceanyachtsystems.co.uk   | Title<br>ALUMINIUM SINGLE ACTING MECHANICAL LOCK CYLINDER |             | Revision<br>1            | Dimensions in millimeters & degrees<br>Gen. Tolerance ± 0.25<br>Gen. Finish 3.2 |               |   |
|   | Drawing No.<br>MSA-0076-S0550-NP-71                       |             | Material                 | Finish<br>ANODISE BLACK   |               | <br>If in doubt ask! |
| Sheet<br>1 of 1   | Scale<br>1:8 @ A3   | Mass<br>N/A | Date Drawn<br>24/04/2018 | By<br>A.N.  | Modified Date |   |
| © Copyright. All rights to this drawing and design are the sole property of Ocean Yacht Systems Ltd. This drawing must not be copied, communicated or loaned to any third party without the written consent of Ocean Yacht Systems Ltd. |   | Mat. Cert.  | Insp. Lev.<br>III        | Fin. Lev.<br>A  |               |   |