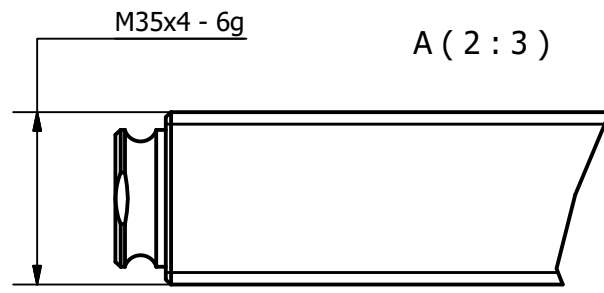
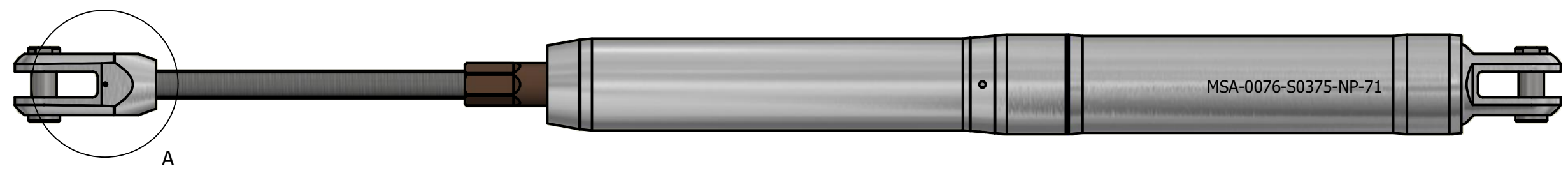
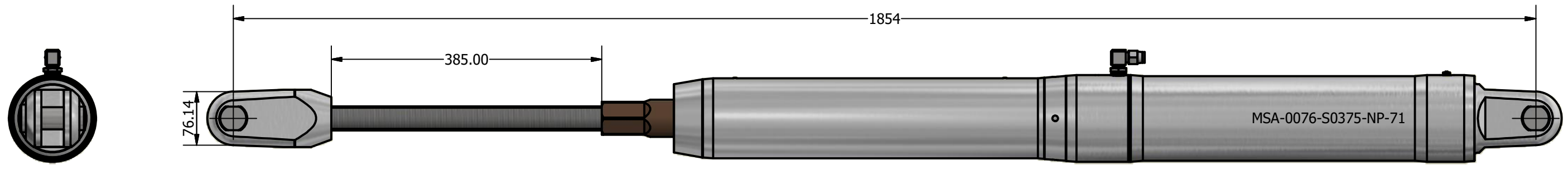
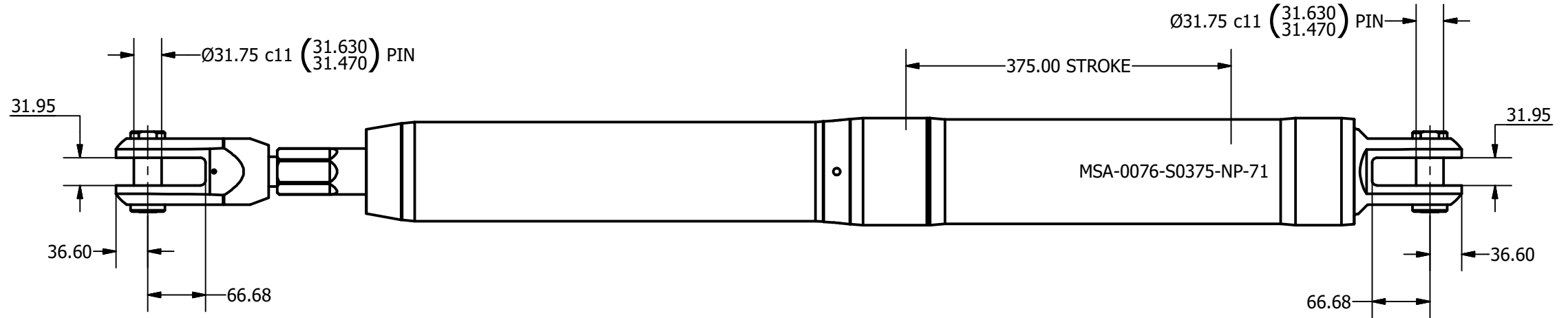
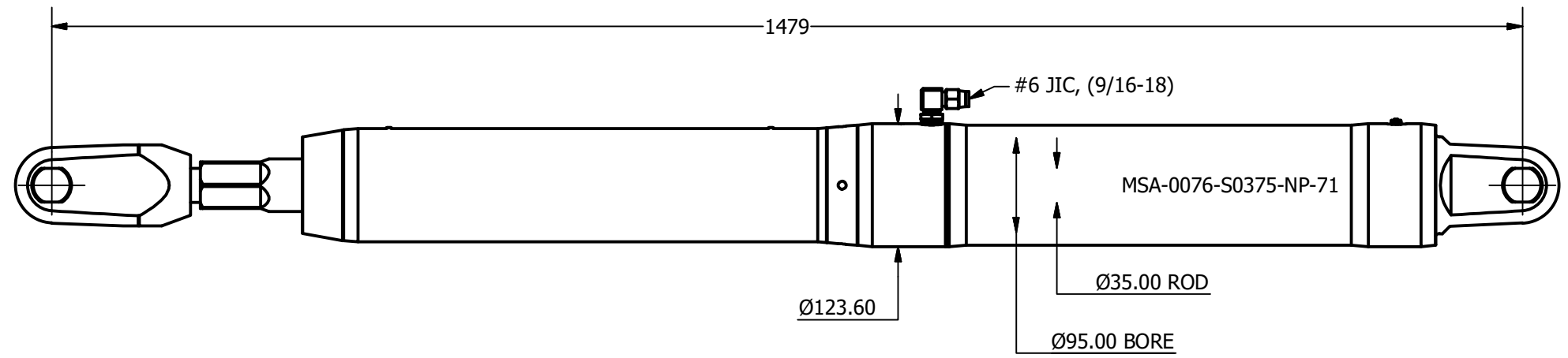

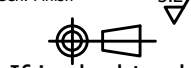


SIZE	-0076
PCLC	1479 mm
PIN / GAP	31.75 mm
BORE DIA	95 mm
ROD DIA	35 mm
STROKE	375 mm
WEIGHT	34.36 Kg
FULL BORE AREA (PUSHING/EXTENDING)	7088 mm ²
ANNULUS AREA (PULLING/RETRACTING)	6126 mm ²
OIL DISPLACEMENT (FULL BORE SIDE)	2.66 ltrs
OIL DISPLACEMENT (ANNULUS SIDE)	2.30 ltrs
MAXIMUM PUSH FORCE @ 5 BAR	361 Kg (3544 N)
PULL FORCE @ 150 BAR	9367 Kg (91892 N)
PULL FORCE @ 250 BAR	15612 Kg (153153 N)
MAX PULL FORCE @ 350 BAR (RELIEF)	21857 Kg (214414 N)



NOTE: CUSTOM STROKES, LENGTHS AND CLEVIS DIMENSIONS AVAILABLE UPON REQUEST

 Tel: +44 (0)1202 596600 www.oceanyachtsystems.co.uk	Title ALUMINIUM SINGLE ACTING MECHANICAL LOCK CYLINDER		Revision 1	Dimensions in millimeters & degrees Gen. Tolerance ± 0.25 Gen. Finish 3.2		
	Drawing No. MSA-0076-S0375-NP-71		Material	Finish ANODISE BLACK		 If in doubt ask!
	Sheet 1 of 1	Scale 1:6 @ A3	Mass N/A	Date Drawn 24/04/2018	By A.N.	