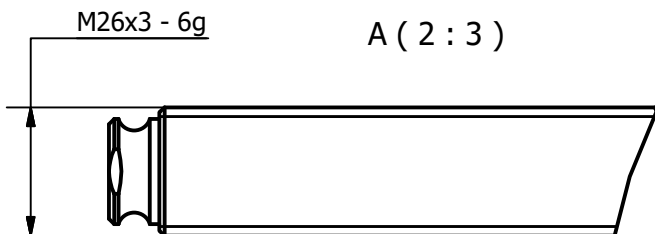
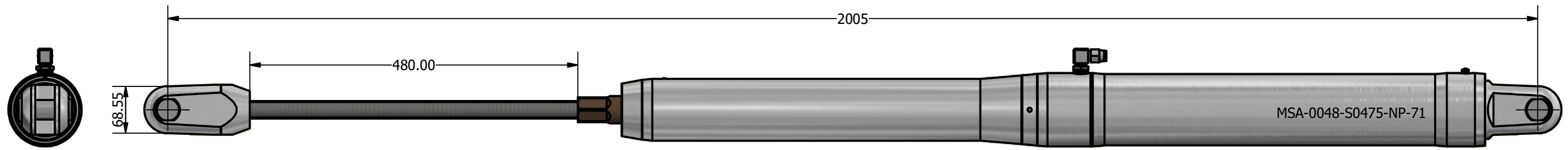
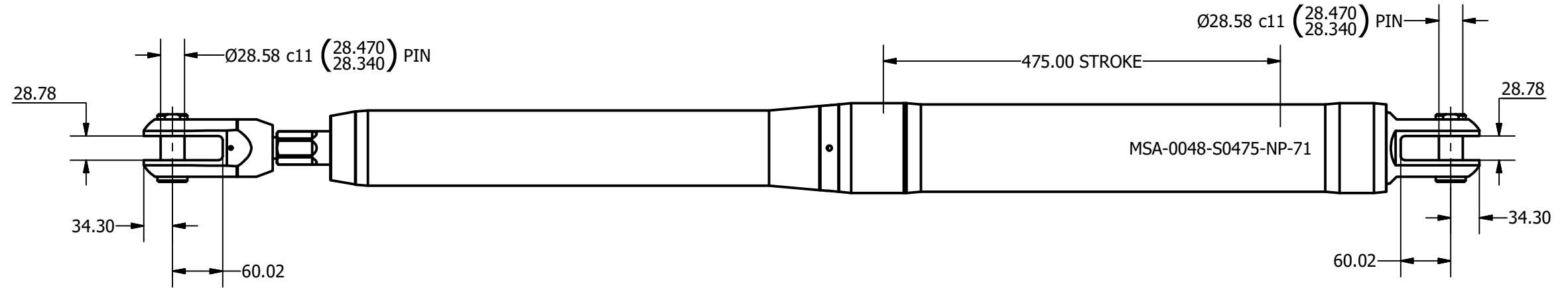
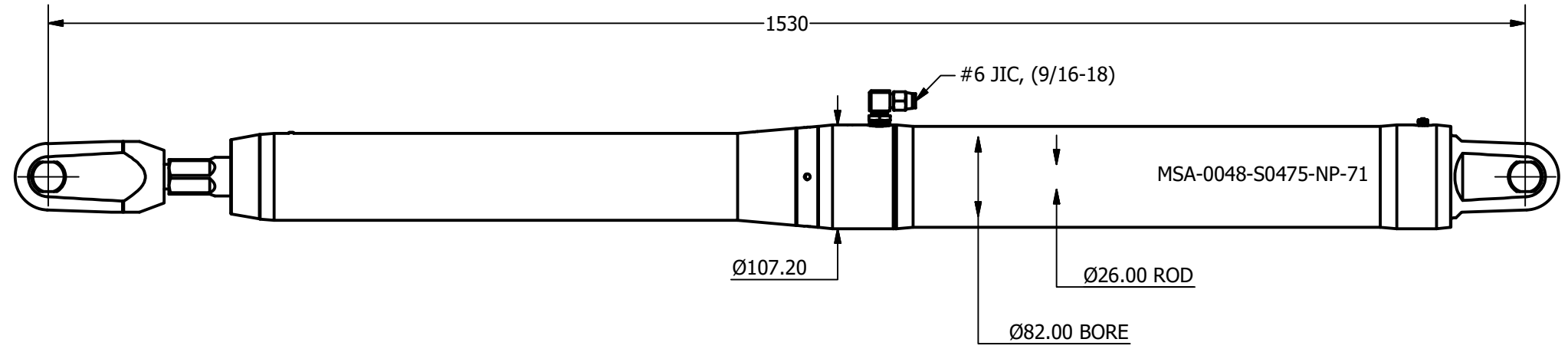

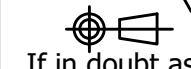


SIZE	-0048
PCLC	1530 mm
PIN / GAP	28.58 mm
BORE DIA	82 mm
ROD DIA	26 mm
STROKE	475 mm
WEIGHT	22.56 Kg
FULL BORE AREA (PUSHING/EXTENDING)	5281 mm <sup>2</sup>
ANNULUS AREA (PULLING/RETRACTING)	4750 mm <sup>2</sup>
OIL DISPLACEMENT (FULL BORE SIDE)	2.51 ltrs
OIL DISPLACEMENT (ANNULUS SIDE)	2.26 ltrs
MAXIMUM PUSH FORCE @ 5 BAR	269 Kg (2641 N)
PULL FORCE @ 150 BAR	7263 Kg (71251 N)
PULL FORCE @ 250 BAR	12105 Kg (118752 N)
MAX PULL FORCE @ 350 BAR (RELIEF)	16947 Kg (166253 N)



**NOTE: CUSTOM STROKES, LENGTHS AND CLEVIS DIMENSIONS AVAILABLE UPON REQUEST**

 Tel: +44 (0)1202 596600 www.oceanyachtsystems.co.uk	Title <b>ALUMINIUM SINGLE ACTING MECHANICAL LOCK CYLINDER</b>		Revision 1		Dimensions in millimeters & degrees Gen. Tolerance ± 0.25 Gen. Finish 3.2				
	Drawing No. <b>MSA-0048-S0475-NP-71</b>		Material		Finish <b>ANODISE BLACK</b>		 <b>If in doubt ask!</b>		
Sheet 1 of 1	Scale 1:6 @ A3	Mass N/A	Date Drawn 24/04/2018	By A.N.	Modified Date 	By		Mat. Cert. 	Insp. Lev. III