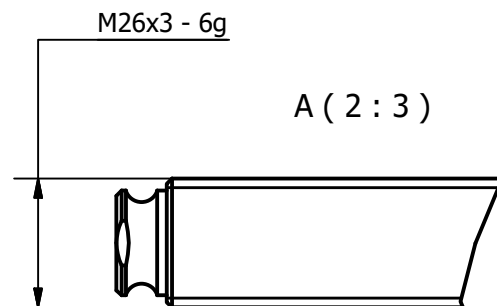
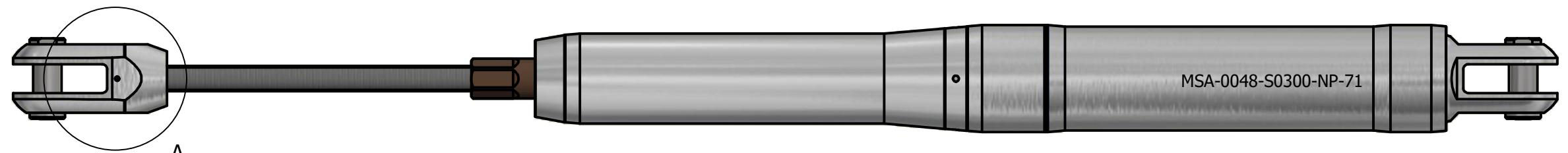
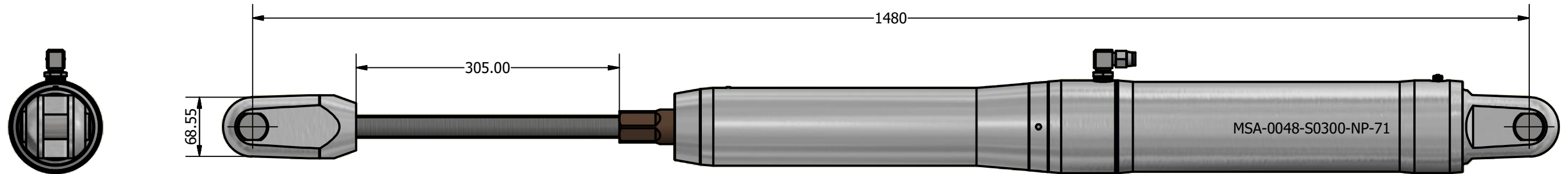
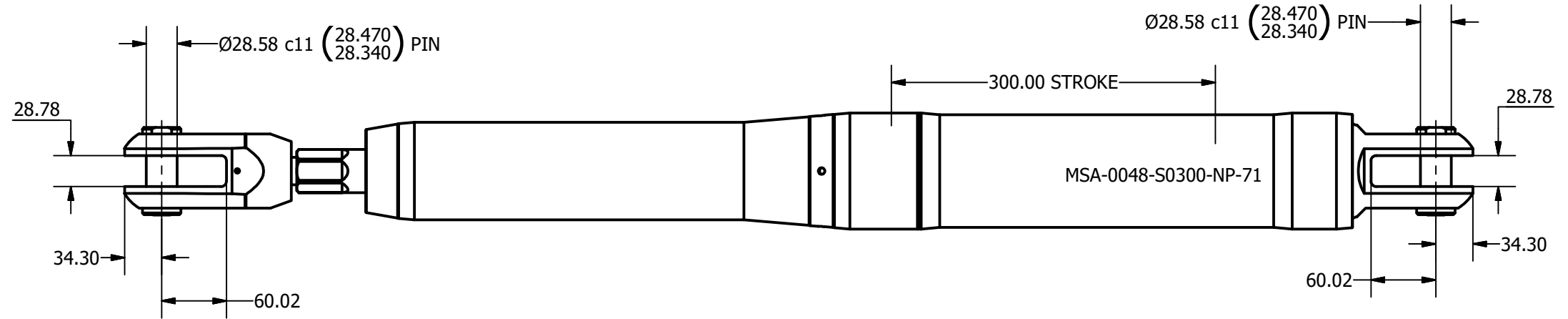
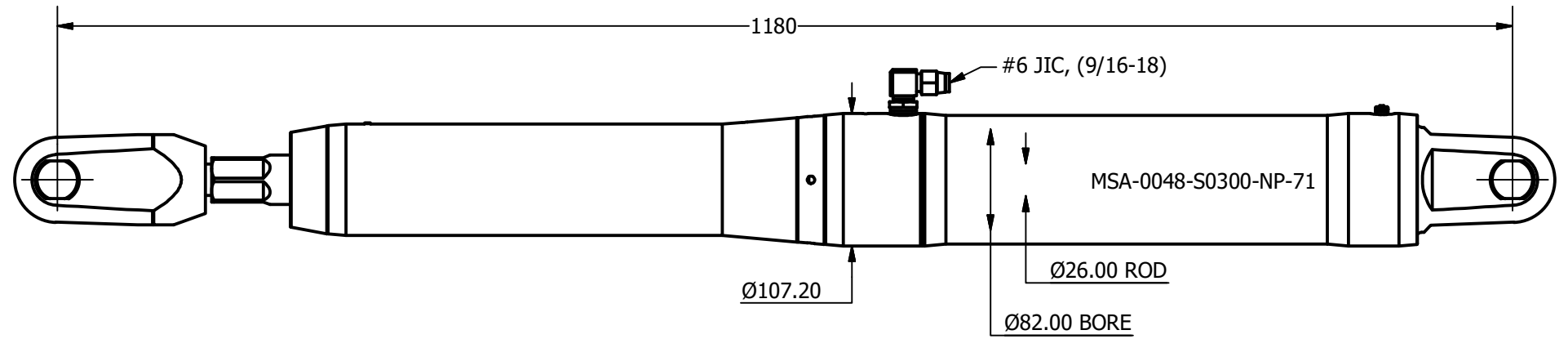

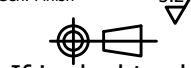


SIZE	-0048
PCLC	1180 mm
PIN / GAP	28.58 mm
BORE DIA	82 mm
ROD DIA	26 mm
STROKE	300 mm
WEIGHT	18.62 Kg
FULL BORE AREA (PUSHING/EXTENDING)	5281 mm ²
ANNULUS AREA (PULLING/RETRACTING)	4750 mm ²
OIL DISPLACEMENT (FULL BORE SIDE)	1.58 ltrs
OIL DISPLACEMENT (ANNULUS SIDE)	1.43 ltrs
MAXIMUM PUSH FORCE @ 5 BAR	269 Kg (2641 N)
PULL FORCE @ 150 BAR	7263 Kg (71251 N)
PULL FORCE @ 250 BAR	12105 Kg (118752 N)
MAX PULL FORCE @ 350 BAR (RELIEF)	16947 Kg (166253 N)



NOTE: CUSTOM STROKES, LENGTHS AND CLEVIS DIMENSIONS AVAILABLE UPON REQUEST

 Tel: +44 (0)1202 596600 www.oceanyachtsystems.co.uk	Title ALUMINIUM SINGLE ACTING MECHANICAL LOCK CYLINDER		Revision 1	Dimensions in millimeters & degrees Gen. Tolerance ± 0.25 Gen. Finish 3.2					
	Drawing No. MSA-0048-S0300-NP-71		Material	Finish ANODISE BLACK		 If in doubt ask!			
	Sheet 1 of 1	Scale 1:5 @ A3	Mass N/A	Date Drawn 24/04/2018	By A.N.		Modified Date	By	Mat. Cert.