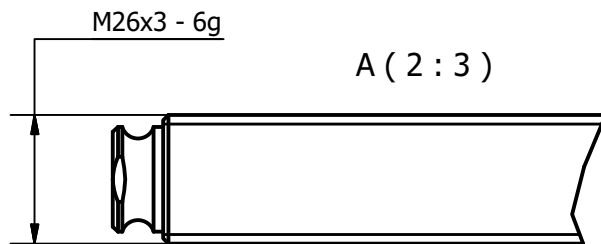
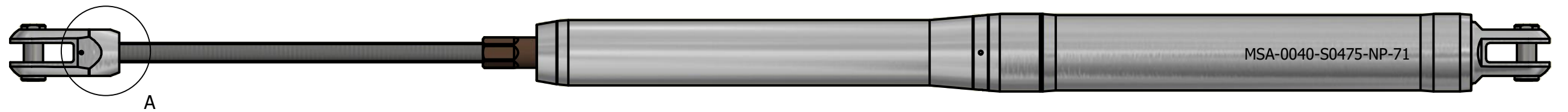
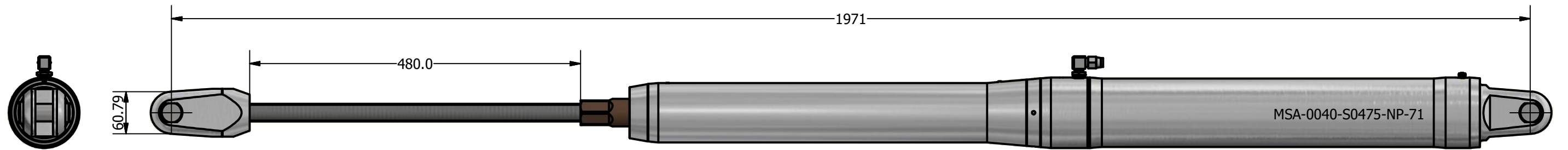
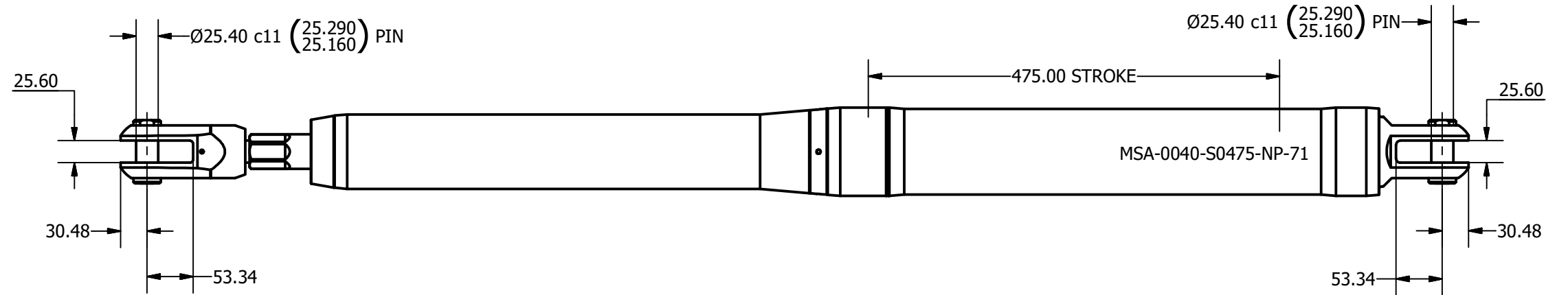
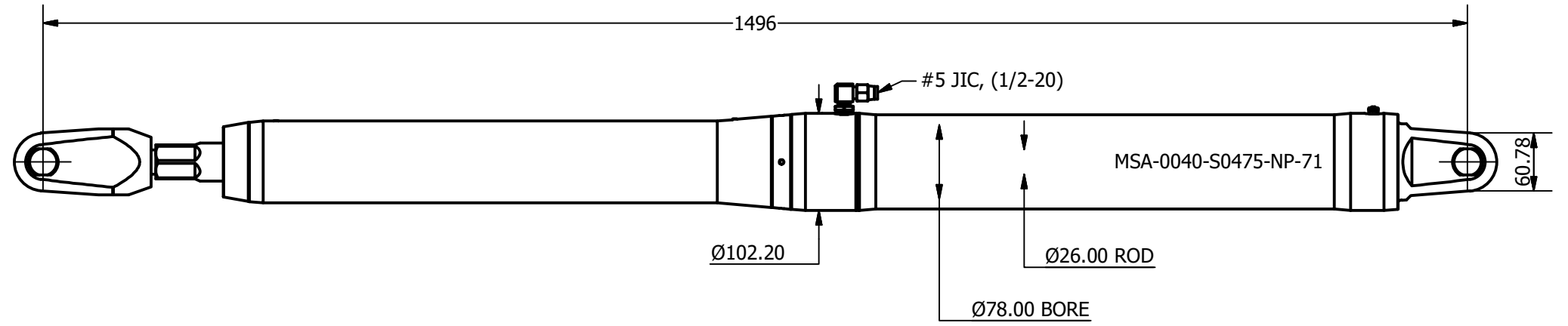

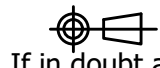


SIZE	-0040
PCLC	1496 mm
PIN / GAP	25.4 mm
BORE DIA	78 mm
ROD DIA	26 mm
STROKE	475 mm
WEIGHT	20.38 Kg
FULL BORE AREA (PUSHING/EXTENDING)	4778 mm ²
ANNULUS AREA (PULLING/RETRACTING)	4247 mm ²
OIL DISPLACEMENT (FULL BORE SIDE)	2.27 ltrs
OIL DISPLACEMENT (ANNULUS SIDE)	2.02 ltrs
MAXIMUM PUSH FORCE @ 5 BAR	244 Kg (2389 N)
PULL FORCE @ 150 BAR	6495 Kg (63711 N)
PULL FORCE @ 250 BAR	10824 Kg (106186 N)
MAX PULL FORCE @ 350 BAR (RELIEF)	15154 Kg (148660 N)



NOTE: CUSTOM STROKES, LENGTHS AND CLEVIS DIMENSIONS AVAILABLE UPON REQUEST

 Tel: +44 (0)1202 596600 www.oceanyachtsystems.co.uk	Title ALUMINIUM SINGLE ACTING MECHANICAL LOCK CYLINDER			Revision 1	Dimensions in millimeters & degrees Gen. Tolerance ± 0.25 Gen. Finish 3.2		
	Drawing No. MSA-0040-S0475-NP-71		Material	Finish ANODISE BLACK		 If in doubt ask!	
	Sheet 1 of 1	Scale 1:6 @ A3	Mass N/A	Date Drawn 23/04/2018	By A.N.		
	© Copyright. All rights to this drawing and design are the sole property of Ocean Yacht Systems Ltd. This drawing must not be copied, communicated or loaned to any third party without the written consent of Ocean Yacht Systems Ltd.			Mat. Cert.	Insp. Lev. III	Fin. Lev. A	