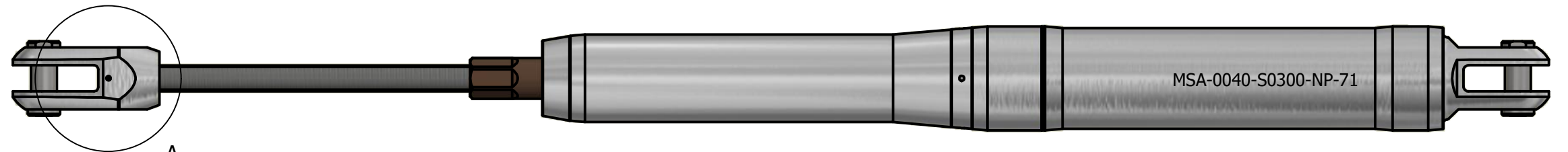
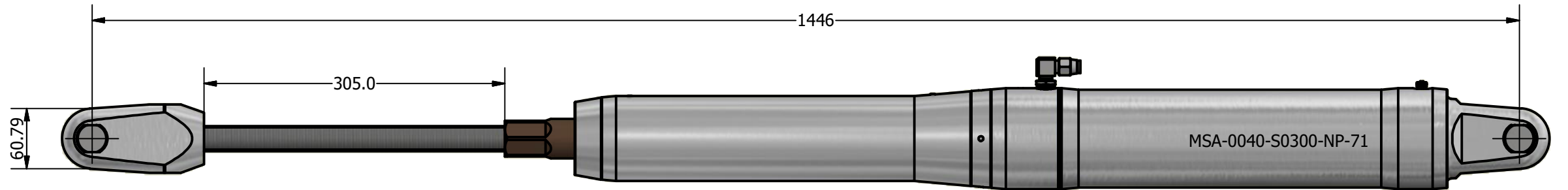
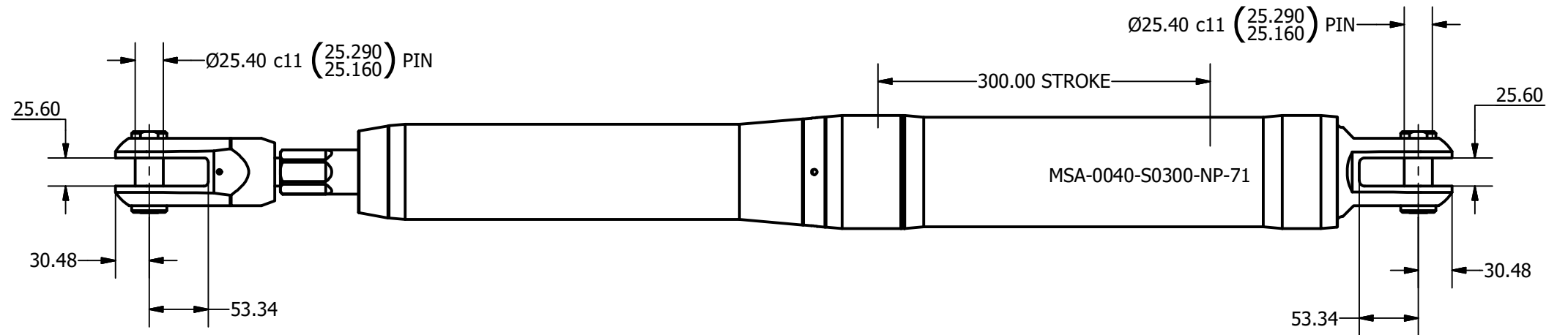
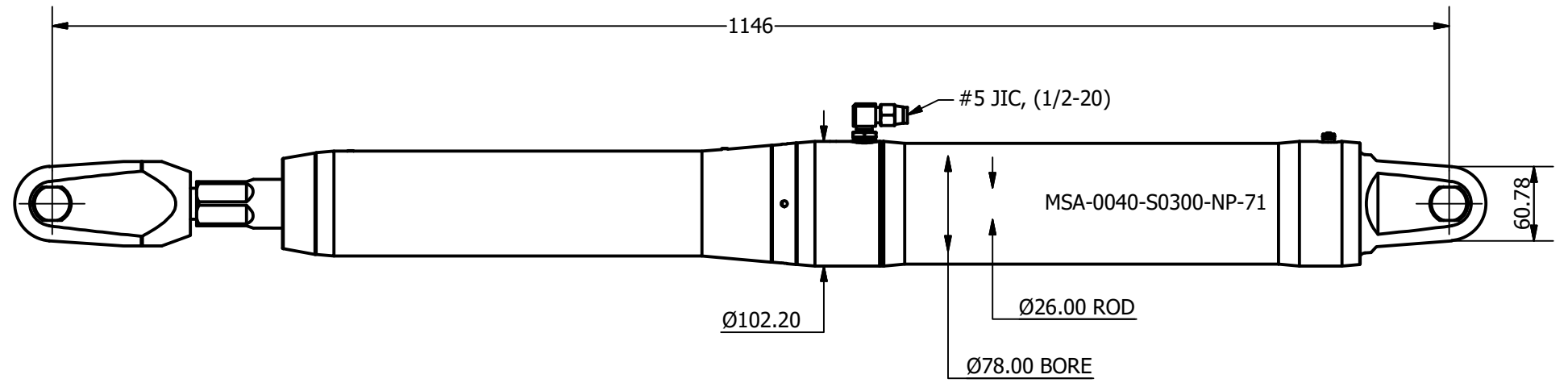
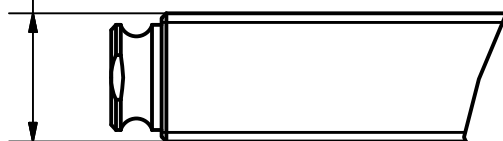


SIZE	-0040
PCLC	1146 mm
PIN / GAP	25.4 mm
BORE DIA	78 mm
ROD DIA	26 mm
STROKE	300 mm
WEIGHT	16.48 Kg
FULL BORE AREA (PUSHING/EXTENDING)	4778 mm ²
ANNULUS AREA (PULLING/RETRACTING)	4247 mm ²
OIL DISPLACEMENT (FULL BORE SIDE)	1.43 ltrs
OIL DISPLACEMENT (ANNULUS SIDE)	1.27 ltrs
MAXIMUM PUSH FORCE @ 5 BAR	244 Kg (2389 N)
PULL FORCE @ 150 BAR	6495 Kg (63711 N)
PULL FORCE @ 250 BAR	10824 Kg (106186 N)
MAX PULL FORCE @ 350 BAR (RELIEF)	15154 Kg (148660 N)


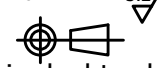


M26x3 - 6g

A (2 : 3)



NOTE: CUSTOM STROKES, LENGTHS AND CLEVIS DIMENSIONS AVAILABLE UPON REQUEST

 Tel: +44 (0)1202 596600 www.oceanyachtsystems.co.uk	Title ALUMINIUM SINGLE ACTING MECHANICAL LOCK CYLINDER		Revision 1	Dimensions in millimeters & degrees Gen. Tolerance ± 0.25 Gen. Finish 3.2		
	Drawing No. MSA-0040-S0300-NP-71		Material	Finish ANODISE BLACK		 If in doubt ask!
	Sheet 1 of 1	Scale 1:5 @ A3	Mass N/A	Date Drawn By 23/04/2018 A.N.	Modified Date By	
				Mat. Cert.	Insp. Lev. III	Fin. Lev. A