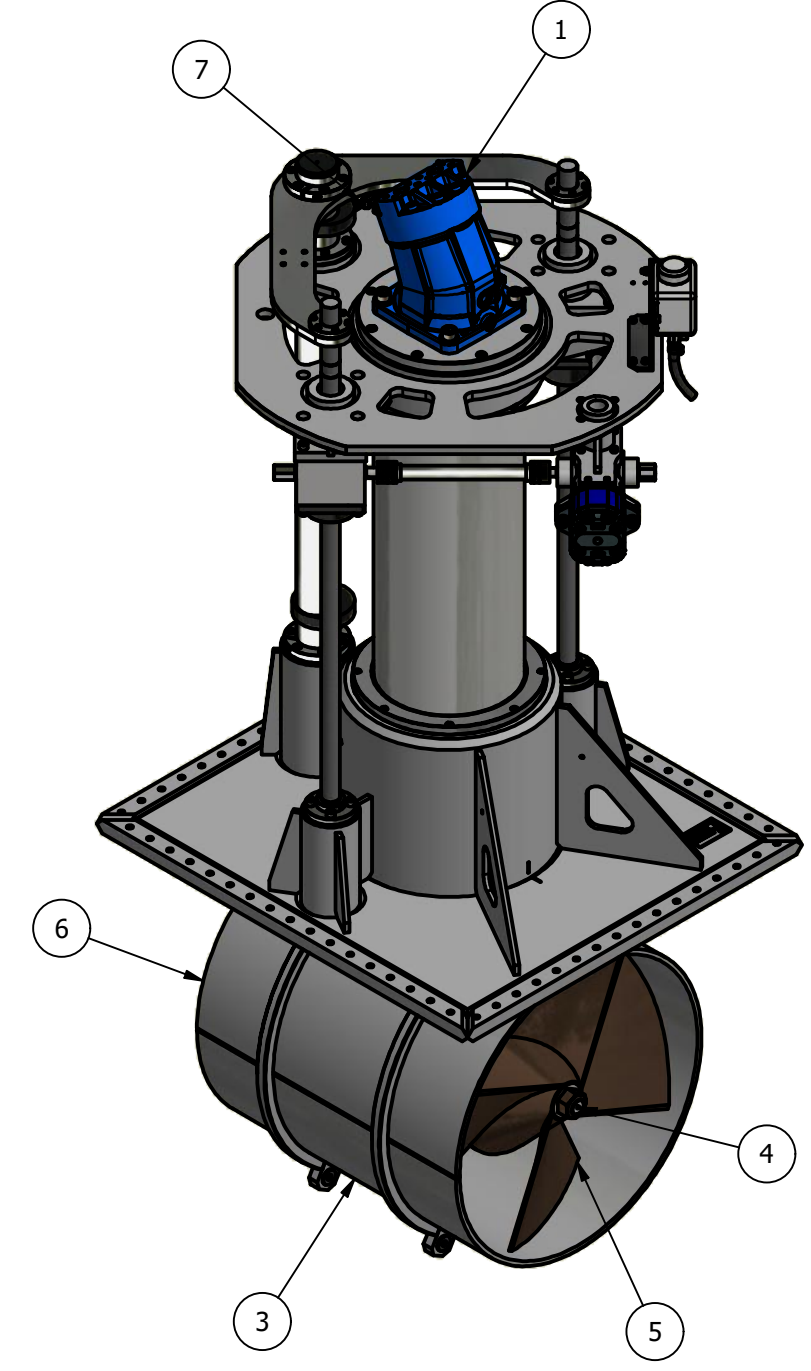
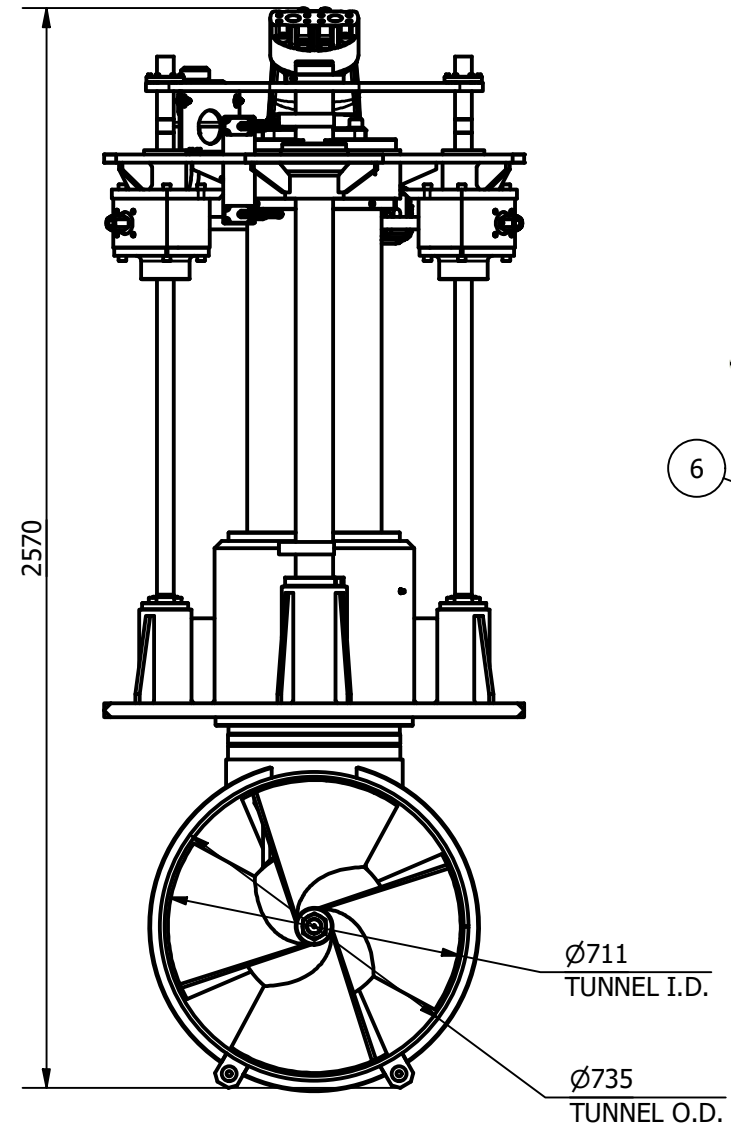
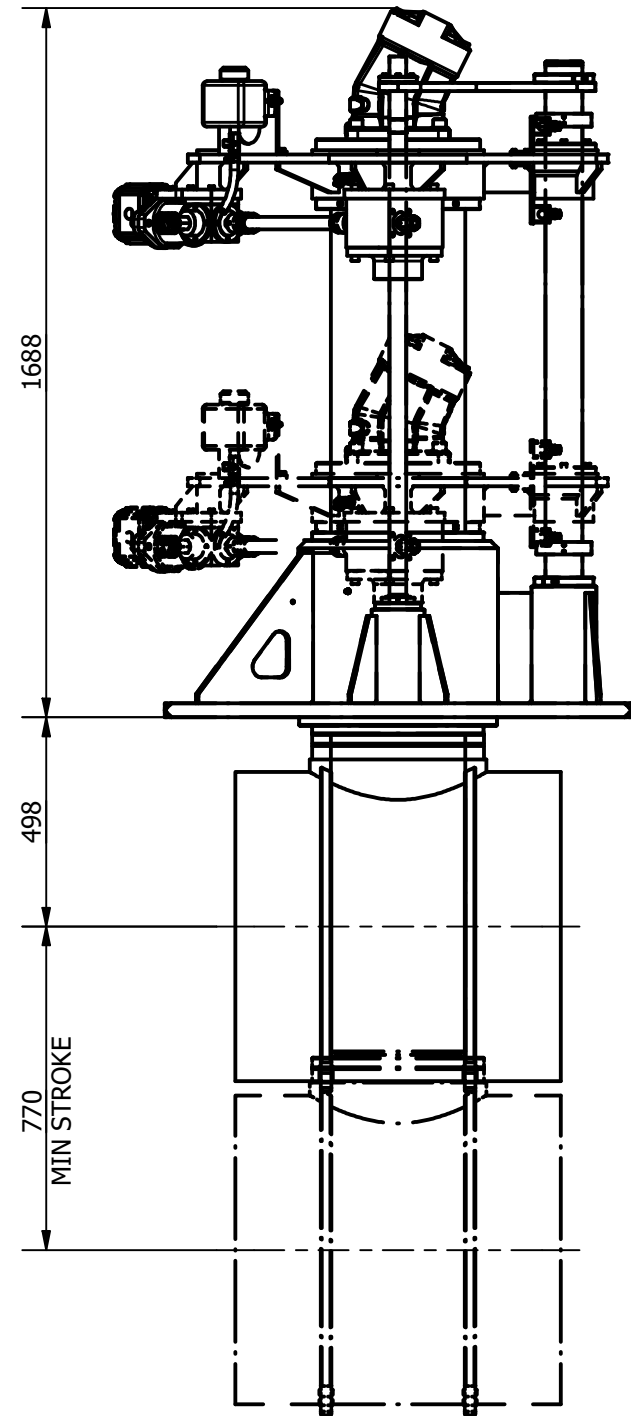
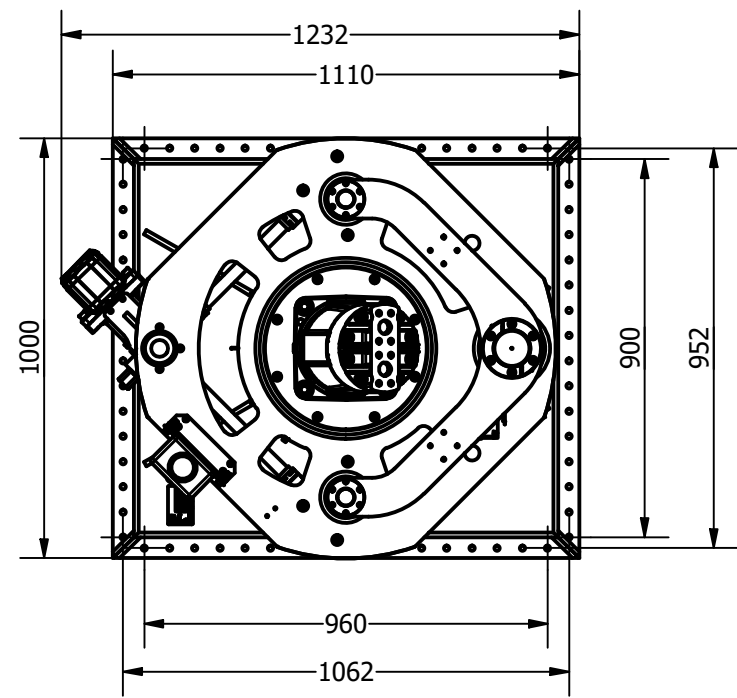

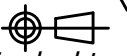


ITEM	QTY	DESCRIPTION
1	1	HYDRAULIC MAIN DRIVE MOTOR
2	1	HYDRAULIC LIFT MECHANISM
3	1	TUNNEL ASSEMBLY
4	1	POD ASSEMBLY
5	1	PROPELLER 1
6	1	PROPELLER 2
7	2	PROXIMITY SENSOR

NOMINAL PROP DIA	700mm
POWER RANGE	142-194Kw (191-260hp)
MIN / MAX THRUST	1704-2328kgf (3757-5132lbf)
WEIGHT APPROXIMATELY	1097kg (2418lb)
STANDARD PRESSURE	330 Bar
NOMINAL FLOW	390 L/min



 <p>Tel: +44 (0)1202 596630 www.oceanmarinesystems.co.uk</p>	Title VERTICAL RETRACT THRUSTER - HYDRAULIC		Revision 1		Dimensions in millimeters & degrees Gen. Tolerance ± 0.2 Gen. Finish 3.2 ✓  <i>If in doubt ask!</i>				
	Drawing No. H-0700-V	Material	Finish	Scale NTS @ A3					
Sheet 1 of 1	Scale NTS @ A3	Mass N/A	Date Drawn 17/03/2020	By CR	Modified Date 	By 	Cert. Y	Insp. III	Grade A

© Copyright. All rights to this drawing and design are the sole property of Ocean Marine Systems Ltd. This drawing must not be copied, communicated or loaned to any third party without the written consent of Ocean Marine Systems Ltd.