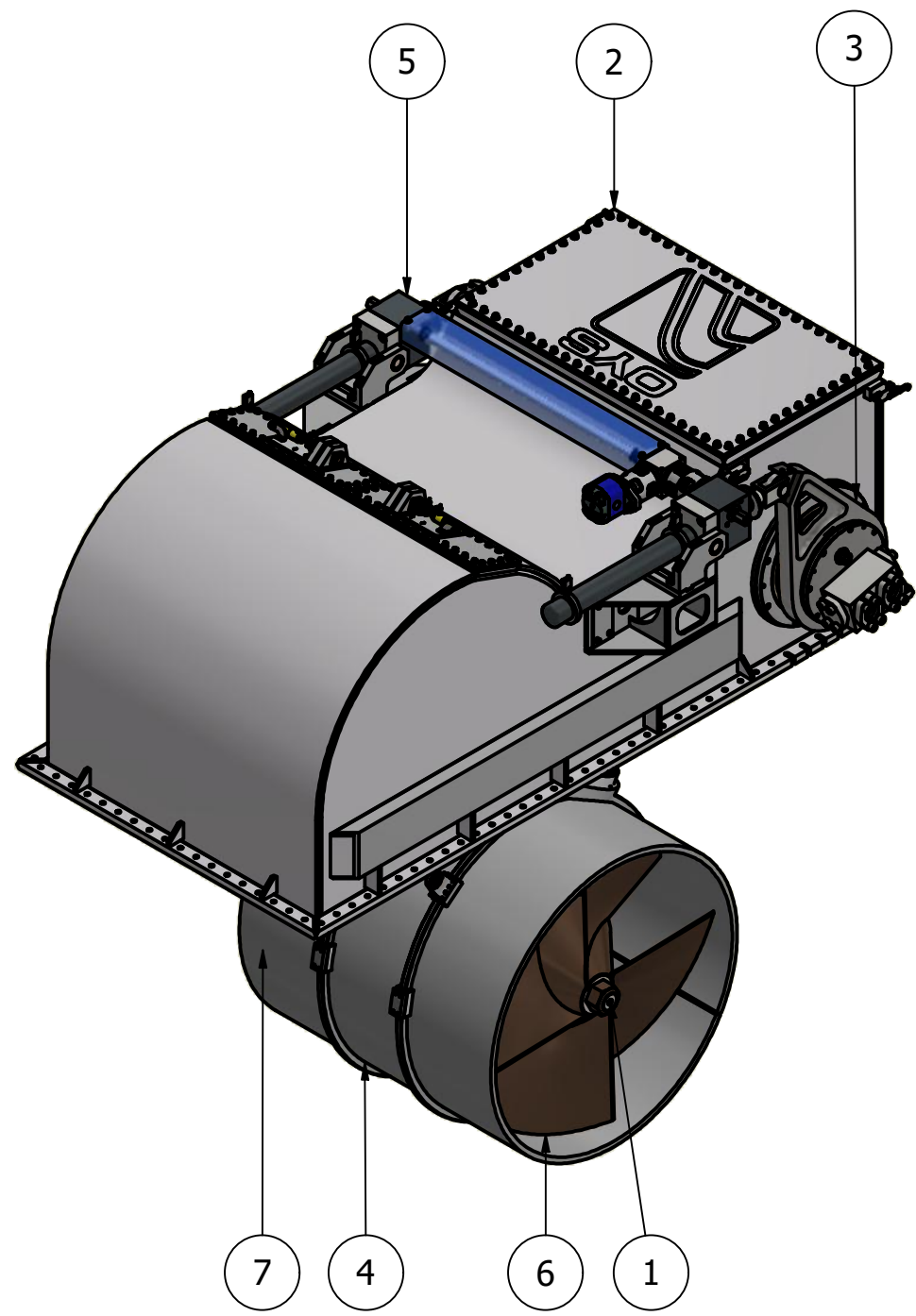
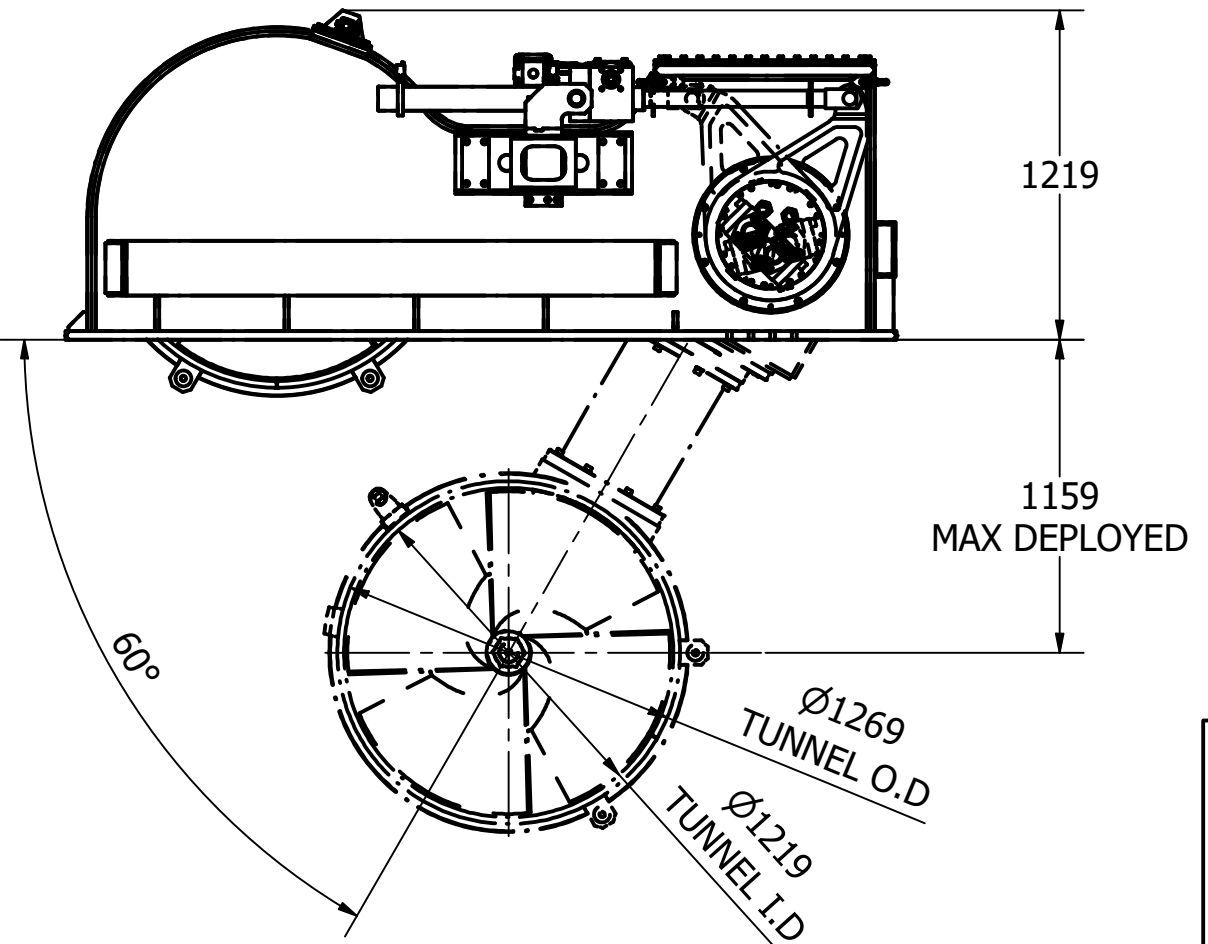
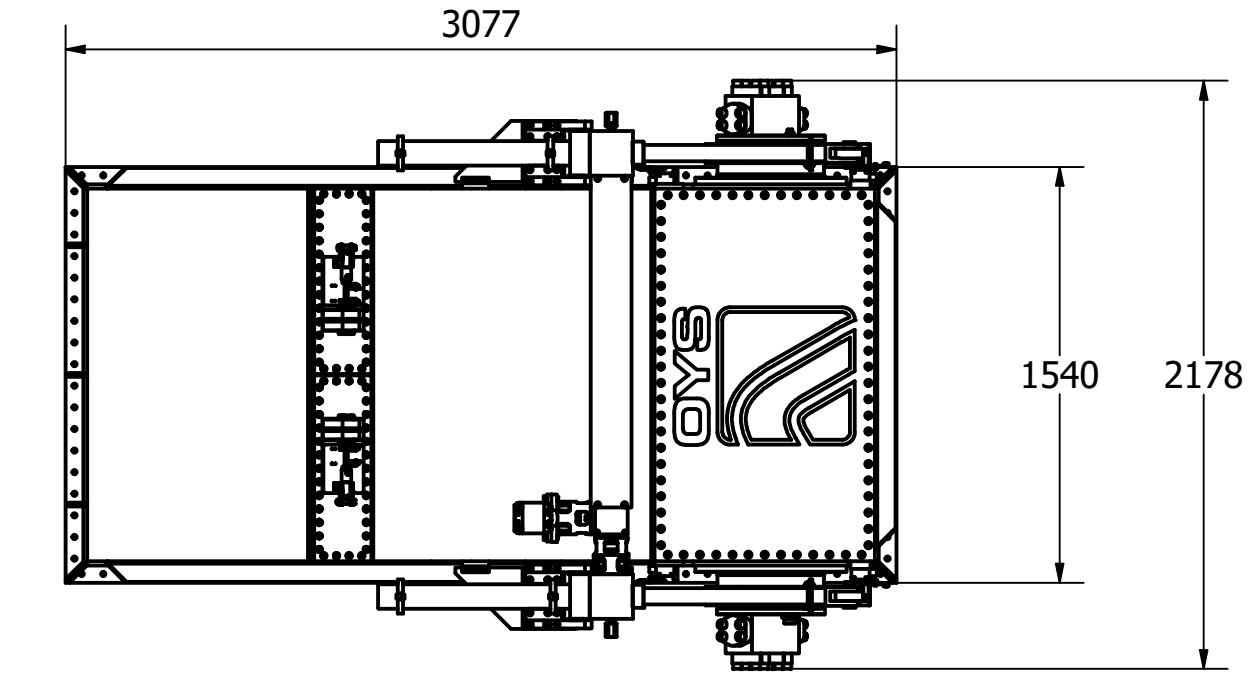



ITEM	QTY	DESCRIPTION
1	1	POD ASSEMBLY
2	1	OUTER BOX ASSEMBLY
3	1	SWING BOX ASSEMBLY
4	1	TUNNEL ASSEMBLY
5	1	LIFTING MECHANISM
6	1	PROPELLER 1
7	1	PROPELLER 2

Note:
 • Swing mechanism and hydraulic hose points can be mounted either side of the outer box assembly

NOMINAL PROP DIA	1200mm
POWER RANGE	393-565Kw (527-758hp)
MIN / MAX THRUST	4323-6215kgf (9531-13702lbf)
WEIGHT APPROXIMATELY	3915kg (8631lb)
STANDARD PRESSURE	350 BAR
NOMINAL FLOW	1070 L/min



 Tel: +44 (0)1202 596600 www.oceanyachtsystems.co.uk	Title SWING THRUSTER- HYDRAULIC				Revision 1	Dimensions in millimeters & degrees			
	Drawing No. H-1200-S		Material	Finish		Gen. Tolerance ± 0.2 Gen. Finish 3.2			
Sheet 1 of 1	Scale NTS @ A3	Mass N/A	Date Drawn 09/03/2020	By JG	Modified Date	By	Cert.	Insp.	Grade