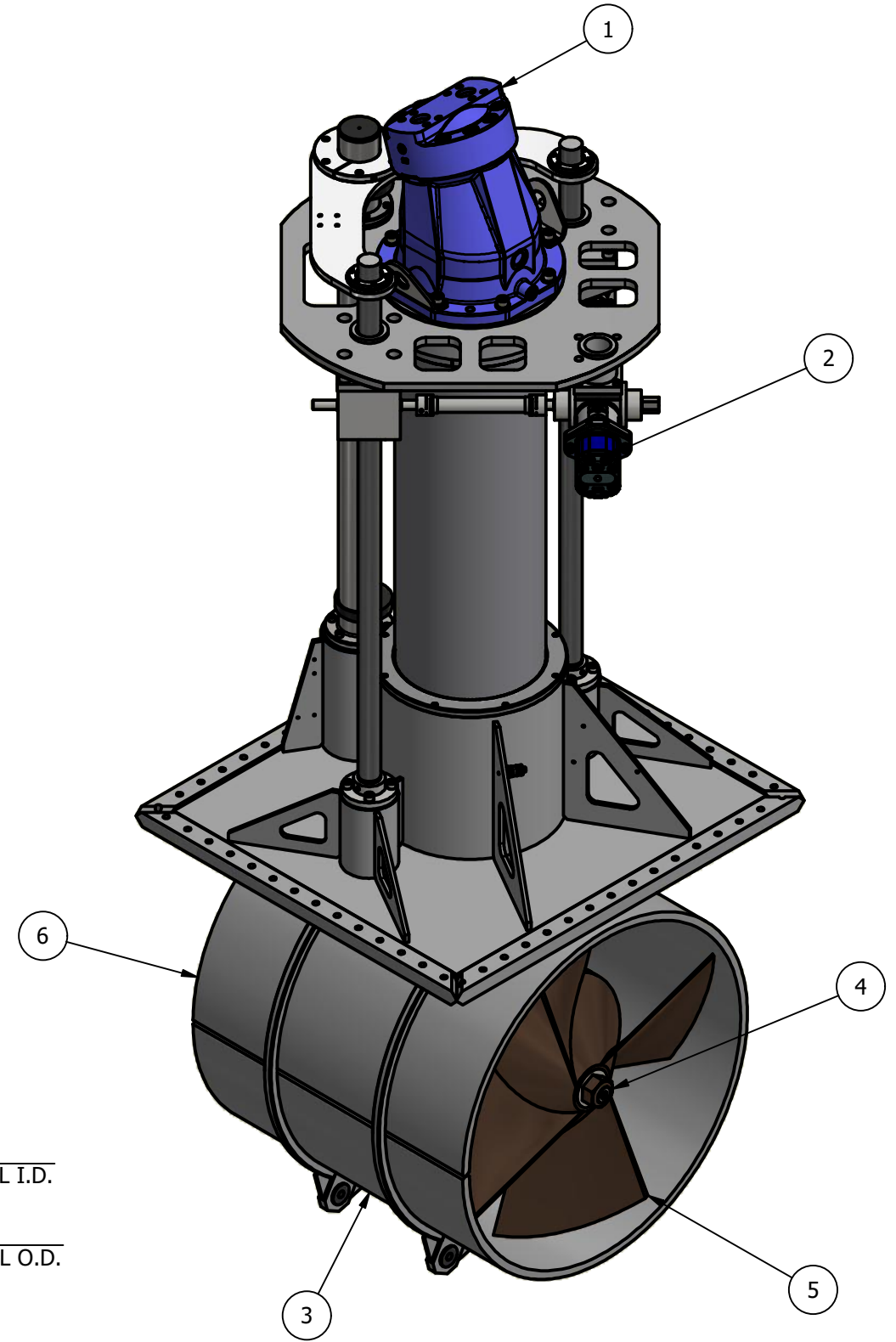
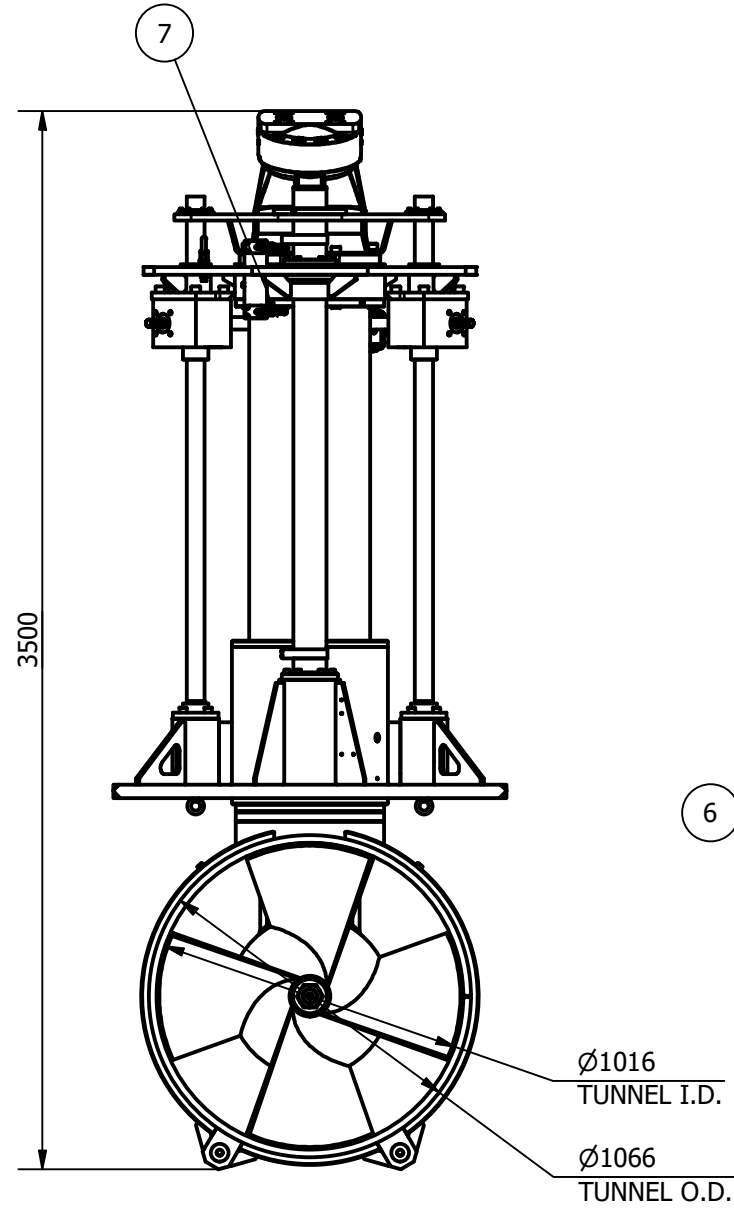
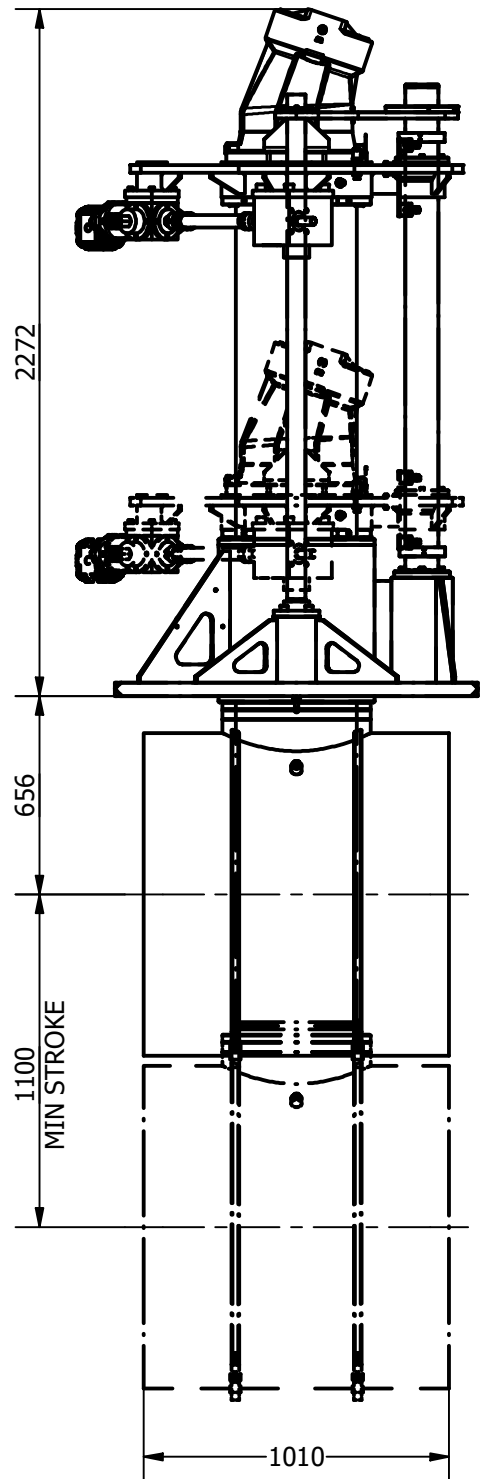
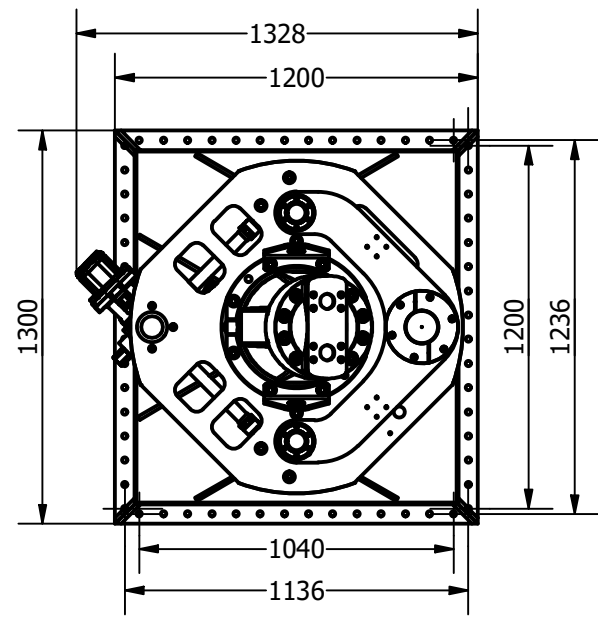




ITEM	QTY	DESCRIPTION
1	1	HYDRAULIC MAIN DRIVE MOTOR
2	1	HYDRAULIC LIFT MECHANISM
3	1	TUNNEL ASSEMBLY
4	1	POD ASSEMBLY
5	1	PROPELLER 1
6	1	PROPELLER 2
7	2	PROXIMITY SENSOR

NOMINAL PROP DIA	1000mm
POWER RANGE	252-393Kw (338-527hp)
MIN / MAX THRUST	2772-4323kgf (6111-9506lbf)
WEIGHT APPROXIMATELY	2402kg (5296lb)
STANDARD PRESSURE	330 Bar
NOMINAL FLOW	800 L/min



 Tel: +44 (0)1202 596600 www.oceanyachtsystems.co.uk	Title VERTICAL RETRACT THRUSTER - HYDRAULIC				Revision 2		Dimensions in millimeters & degrees Gen. Tolerance ± 0.2 Gen. Finish 3.2 ✓		
	Drawing No. H-1000-V		Material		Finish		 If in doubt ask!		
Sheet 1 of 1	Scale NTS @ A3	Mass N/A	Date Drawn 18/03/2020	By CR	Modified Date	By	Cert. Y	Insp. III	Grade A

© Copyright. All rights to this drawing and design are the sole property of Ocean Yacht Systems Ltd. This drawing must not be copied, communicated or loaned to any third party without the written consent of Ocean Yacht Systems Ltd.