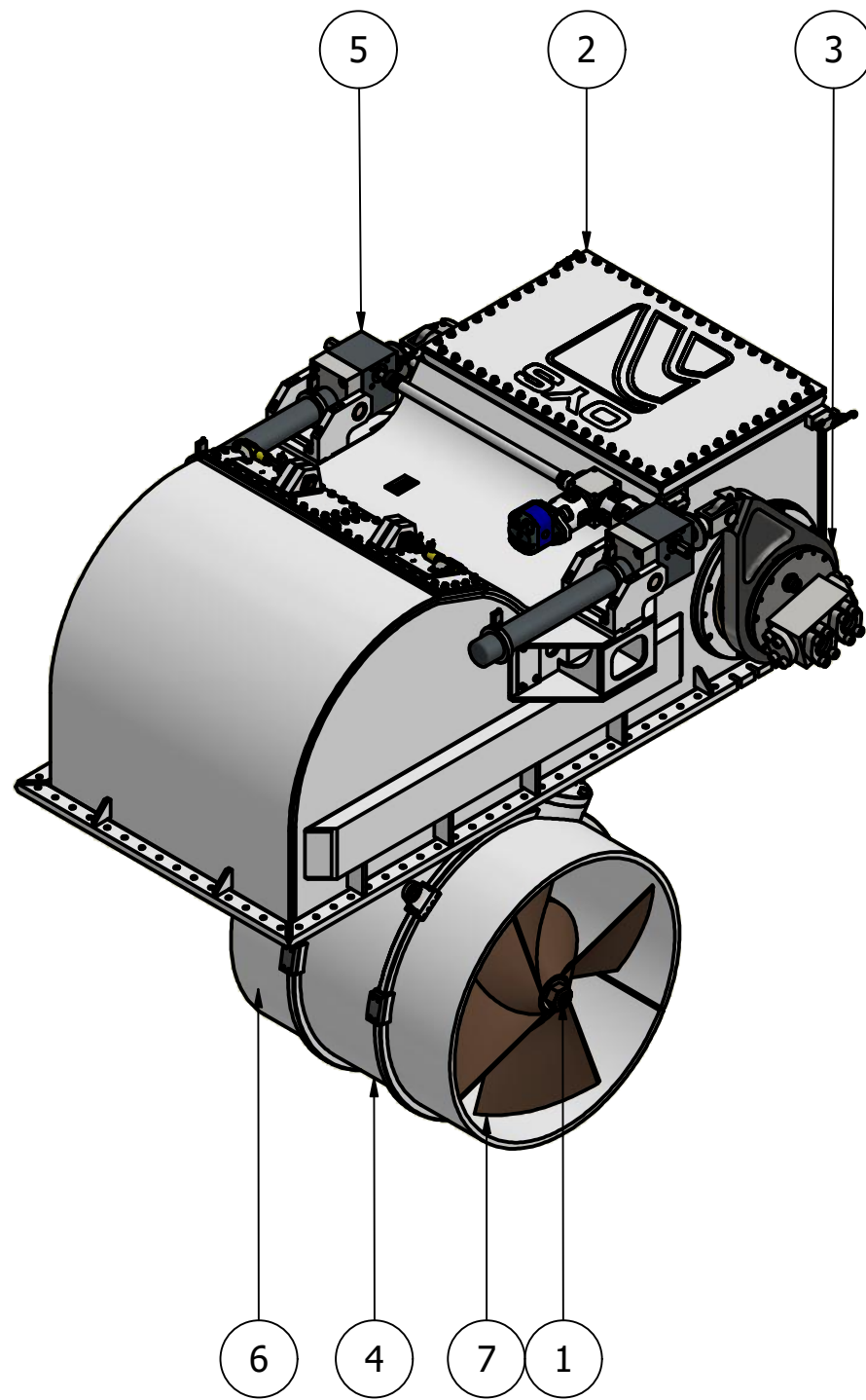
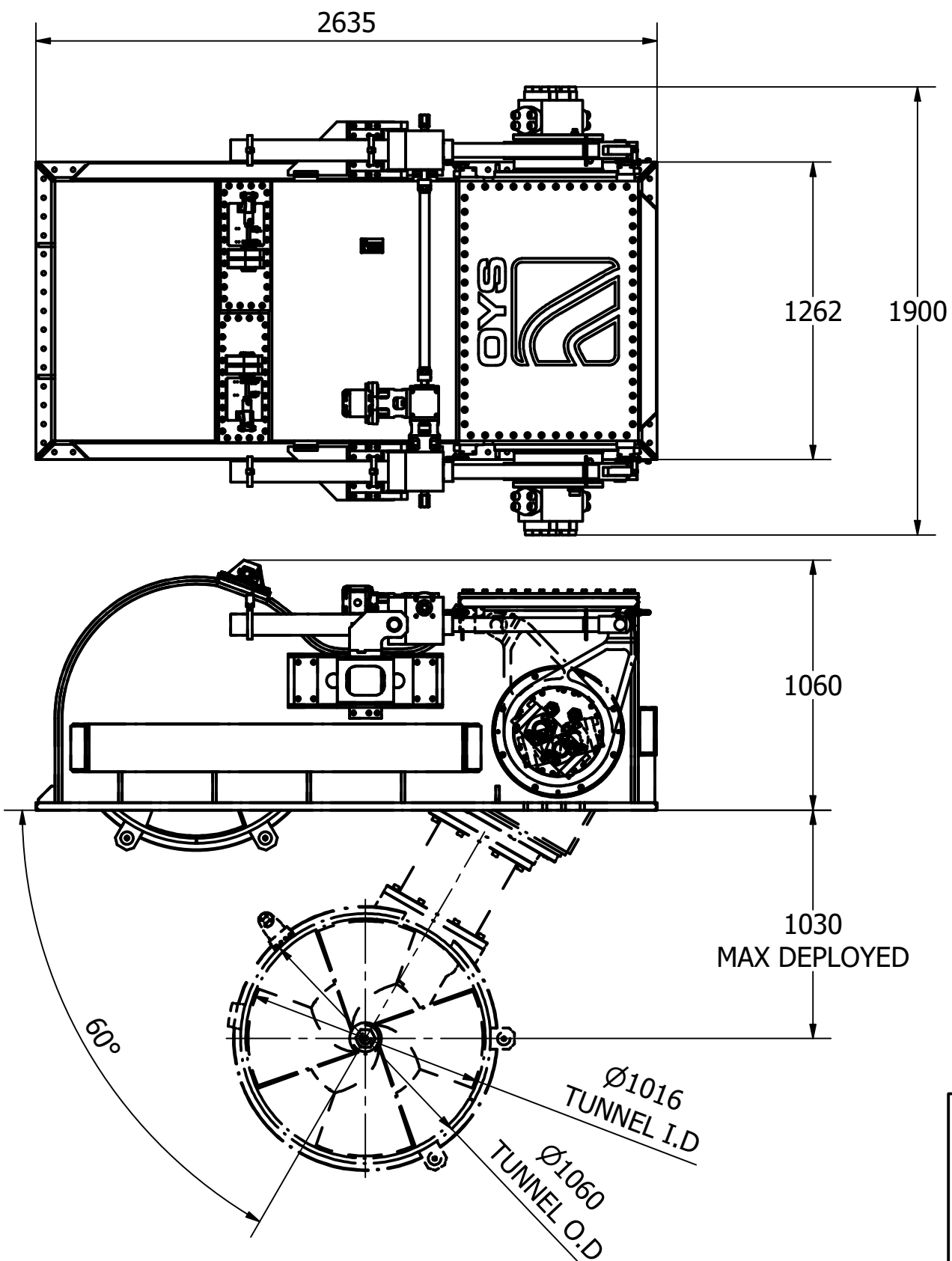




ITEM	QTY	DESCRIPTION
1	1	POD ASSEMBLY
2	1	OUTER BOX ASSEMBLY
3	1	SWING MECHANISM
4	1	TUNNEL ASSEMBLY
5	1	LIFT MECHANISM
6	1	PROPELLER 1
7	1	PROPELLER 2

Note:
 • Swing mechanism and hydraulic hose points can be mounted either side of the outer box assembly

NOMINAL PROP DIA	1000mm
POWER RANGE	252-393Kw (338-527hp)
MIN / MAX THRUST	2772-4323kgf (6111-9531lbf)
WEIGHT APPROXIMATELY	2938kg (6477lb)
STANDARD PRESSURE	330 BAR
NOMINAL FLOW	800 L/min



 Tel: +44 (0)1202 596600 www.oceanyachtsystems.co.uk	Title SWING THRUSTER - HYDRAULIC				Revision 1		Dimensions in millimeters & degrees			
	Drawing No. H-1000-S-527-01-A			Material		Finish		Gen. Tolerance ± 0.2		
	Sheet 1 of 1		Scale @ A3	Mass N/A	Date Drawn 09/03/2020	By JG	Modified Date		By	
									Gen. Finish ± 3.2	
 If in doubt ask!										
			Cert.	Insp.	Grade					