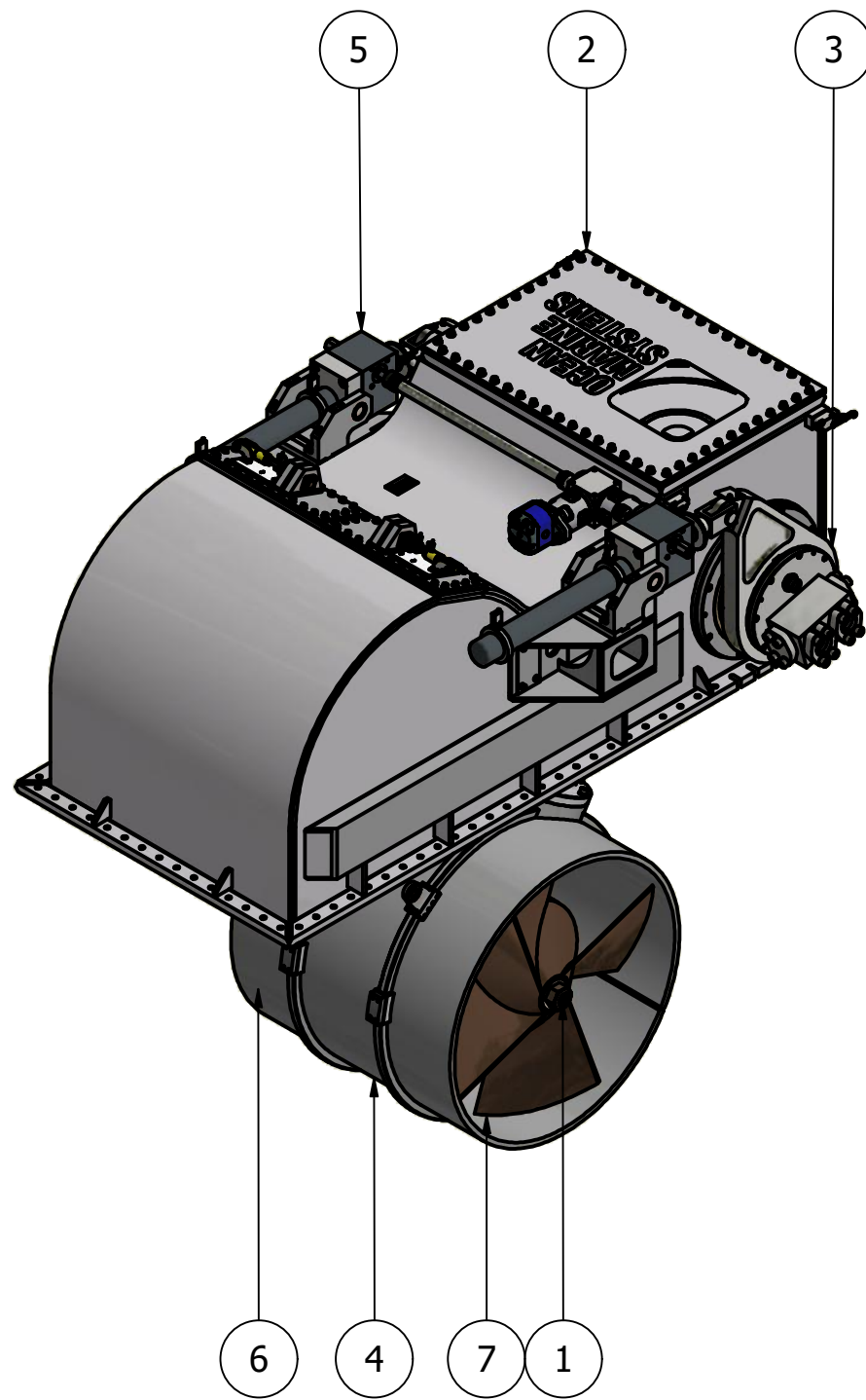
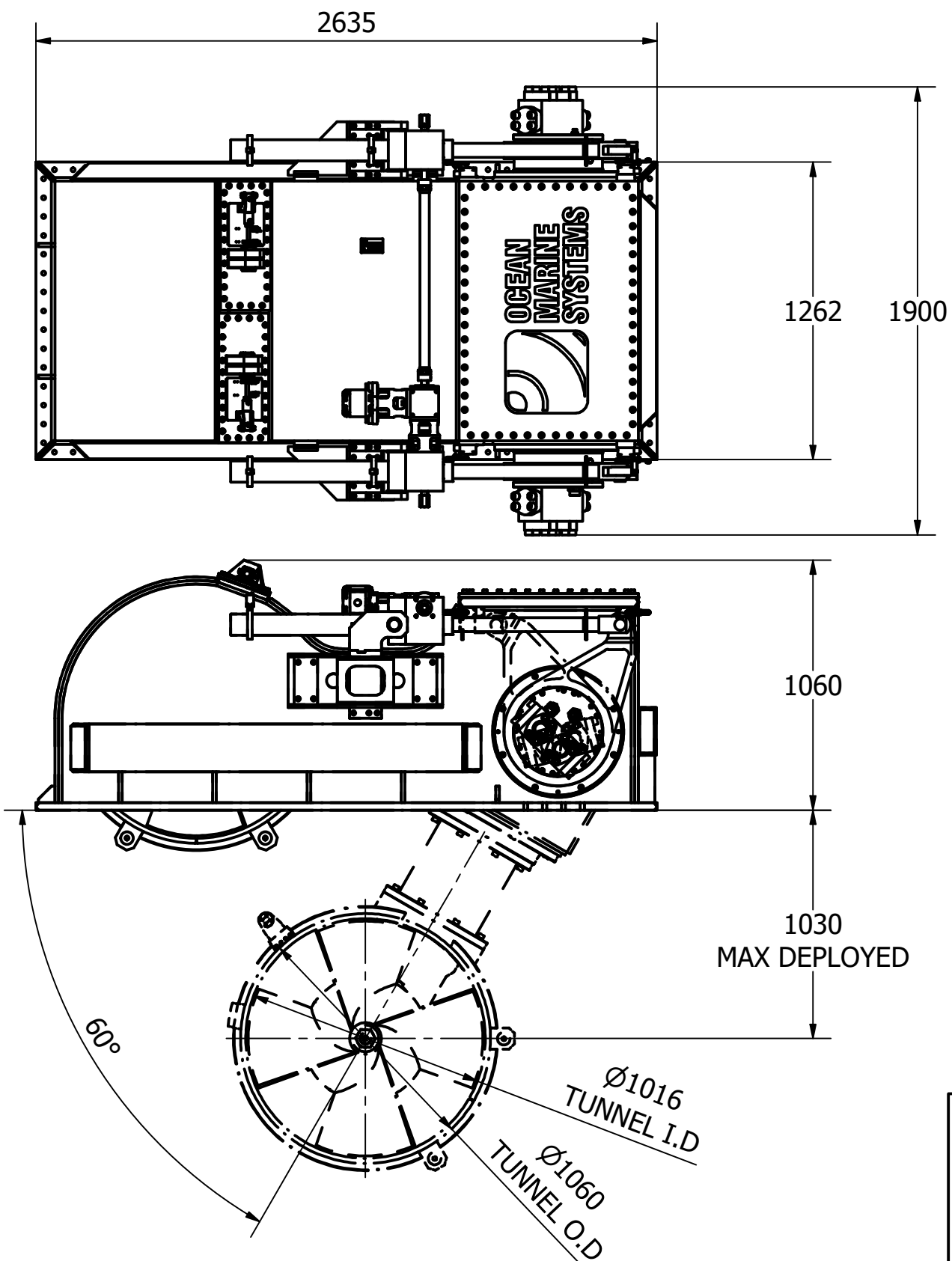


ITEM	QTY	DESCRIPTION
1	1	POD ASSEMBLY
2	1	OUTER BOX ASSEMBLY
3	1	SWING MECHANISM
4	1	TUNNEL ASSEMBLY
5	1	LIFT MECHANISM
6	1	PROPELLER 1
7	1	PROPELLER 2

Note:
 • Swing mechanism and hydraulic hose points can be mounted either side of the outer box assembly

NOMINAL PROP DIA	1000mm
POWER RANGE	252-393Kw (338-527hp)
MIN / MAX THRUST	2772-4323kgf (6111-9531lbf)
WEIGHT APPROXIMATELY	2938kg (6477lb)
STANDARD PRESSURE	330 BAR
NOMINAL FLOW	800 L/min



	Title		Revision		Dimensions in millimeters & degrees														
	SWING THRUSTER - HYDRAULIC		1		Gen. Tolerance ± 0.2 Gen. Finish 3.2														
Drawing No.		Material		Finish		 If in doubt ask!													
H-1000-S-527-01-A																			
Sheet		Scale		Mass		Date Drawn		By		Modified Date		By		Cert.		Insp.		Grade	
1 of 1		@ A3		N/A		09/03/2020		JG											