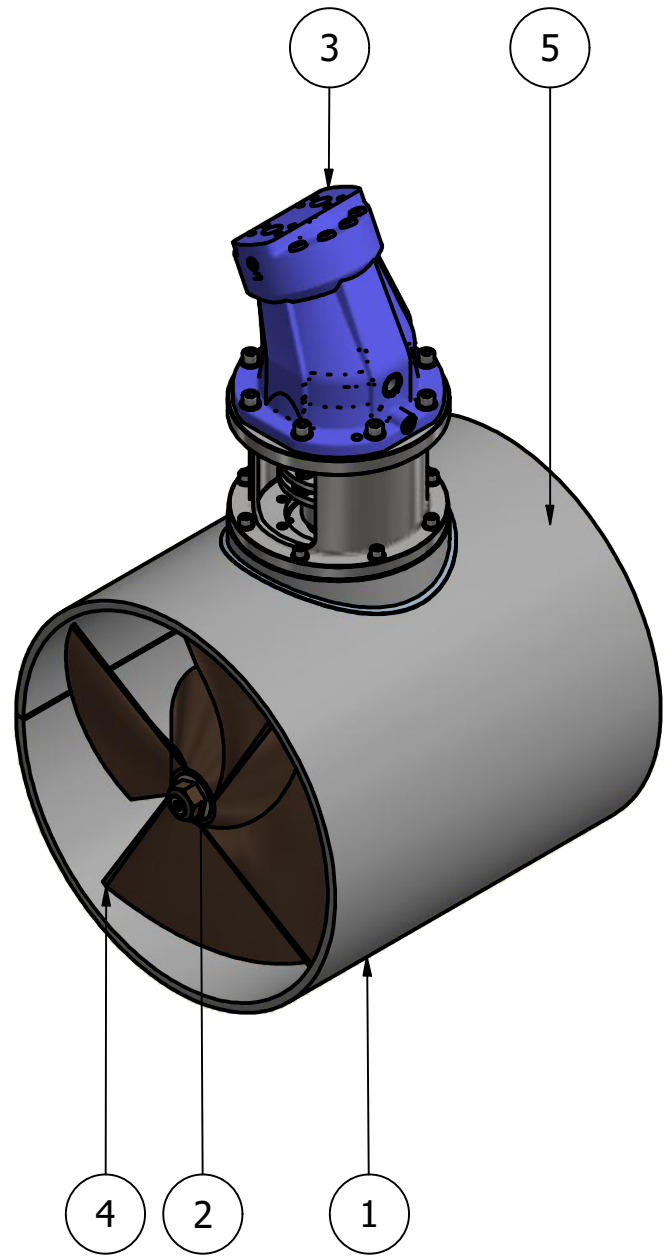
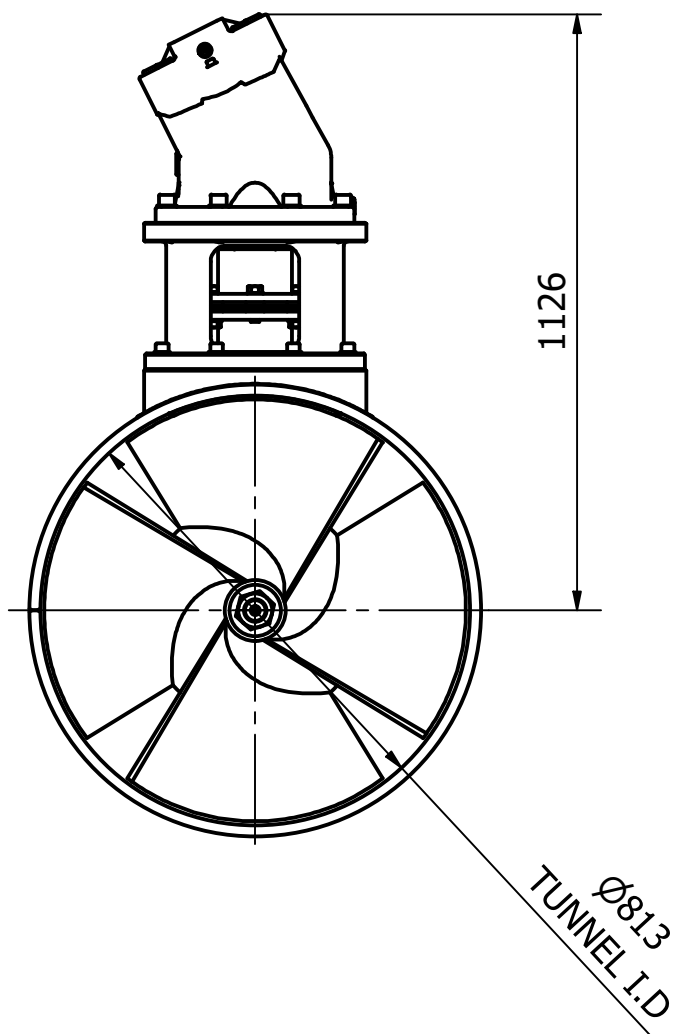
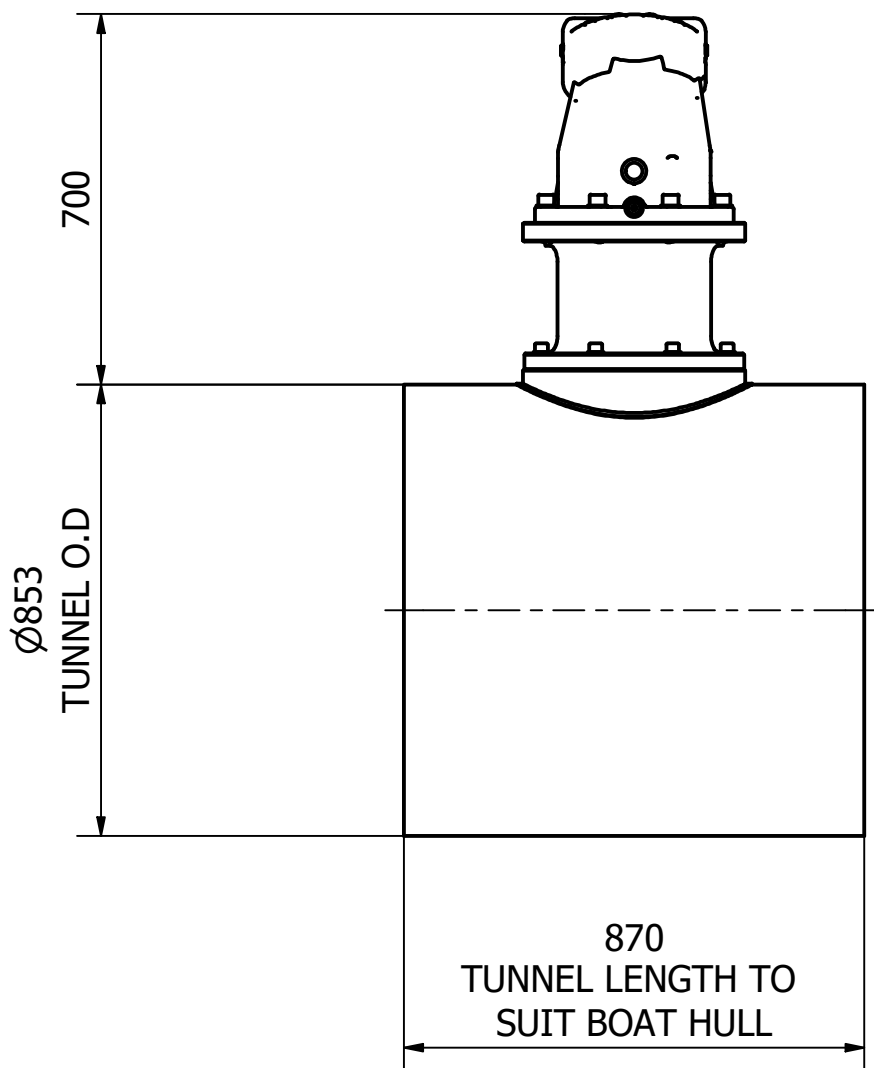




ITEM	QTY	PART NUMBER
1	1	TUNNEL ASSEMBLY
2	1	POD ASSEMBLY
3	1	MOTOR ASSEMBLY
4	1	PROPELLER 1
5	1	PROPELLER 2

NOMINAL PROP DIA	800mm
POWER RANGE	194-252Kw (260-338hp)
MIN / MAX THRUST	2328-2772kgf (5132-6111lbf)
WEIGHT APPROXIMATELY (EXCL TUNNEL)	772kg (1702lb)
STANDARD PRESSURE	330 BAR
NOMINAL FLOW	505 L/min



 Tel: +44 (0)1202 596600 www.oceanyachtsystems.co.uk	Title				Revision		Dimensions in millimeters & degrees		
	TUNNEL THRUSTER - HYDRAULIC				1		Gen. Tolerance ± 0.2		
	Drawing No.		Material		Finish		Gen. Finish 3.2 ✓		
	H-0800-T						 If in doubt ask!		
Sheet	Scale	Mass	Date Drawn	By	Modified Date	By	Cert.	Insp.	Grade
1 of 1	NTS @ A3	N/A	03/03/2020	JG					