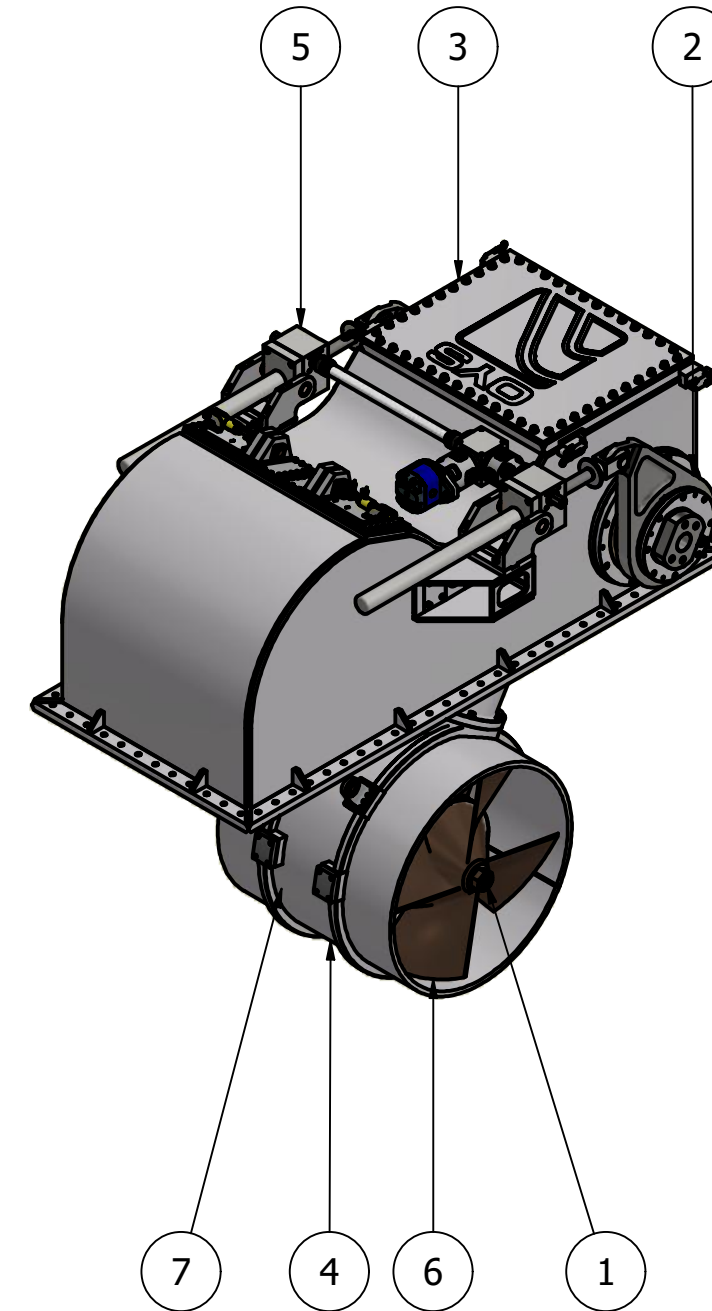
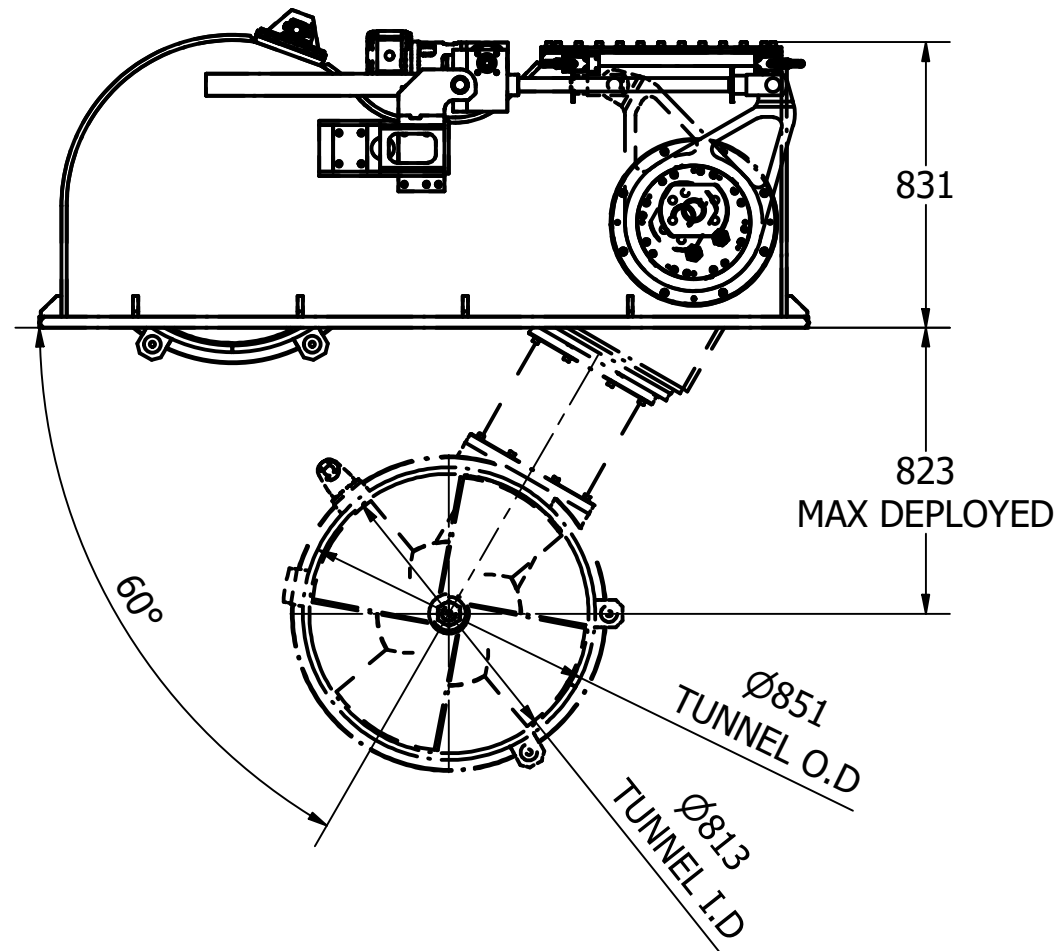
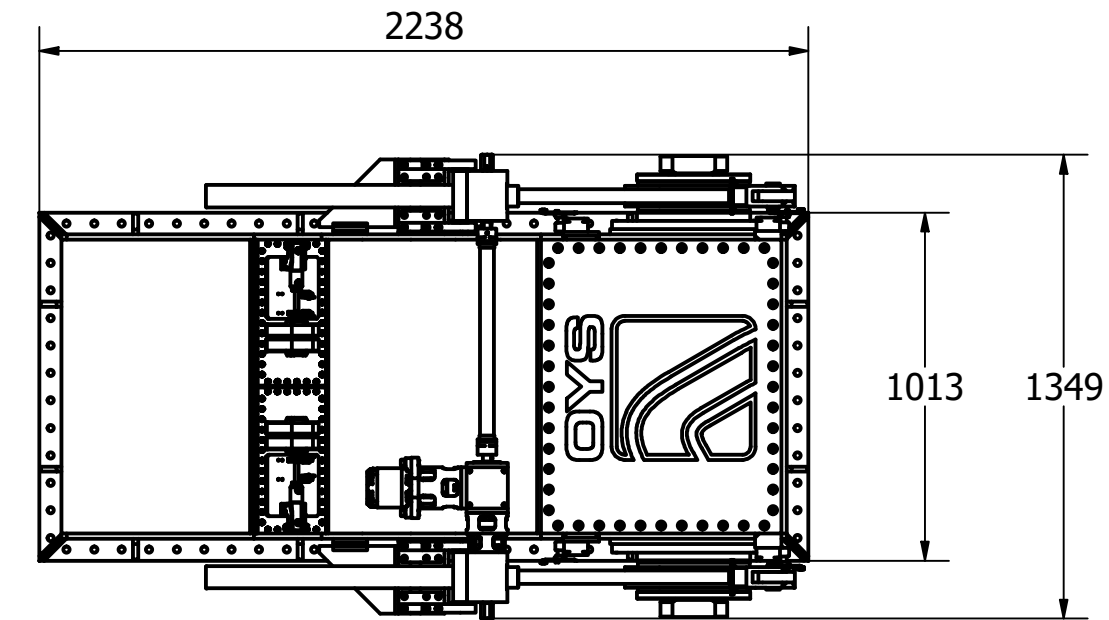




ITEM	QTY	DESCRIPTION
1	1	POD ASSEMBLY
3	1	OUTER BOX ASSEMBLY
2	1	SWING BOX ASSEMBLY
4	1	TUNNEL ASSEMBLY
5	1	LIFTING MECHANISM
6	1	PROPELLER 1
7	1	PROPELLER 2

Note:

- Swing mechanism and hydraulic hose points can be mounted either side of the outer box assembly

NOMINAL PROP DIA	800mm
POWER RANGE	194-252Kw (260-338hp)
MIN / MAX THRUST	2328-2772kgf (5132-6111lbf)
WEIGHT APPROXIMATELY	1731kg (3816lb)
STANDARD PRESSURE	330 BAR
NOMINAL FLOW	505 L/min



 Tel: +44 (0)1202 596600 www.oceanyachtsystems.co.uk	Title SWING THRUSTER - HYDRAULIC		Revision 1	Dimensions in millimeters & degrees Gen. Tolerance ± 0.2 Gen. Finish 3.2 ✓			
	Drawing No. H-0800-S		Material	Finish		 If in doubt ask!	
Sheet 1 of 1	Scale NTS @ A3	Mass N/A	Date Drawn 05/03/2020	By JG	Modified Date	By	Cert. Insp. Grade