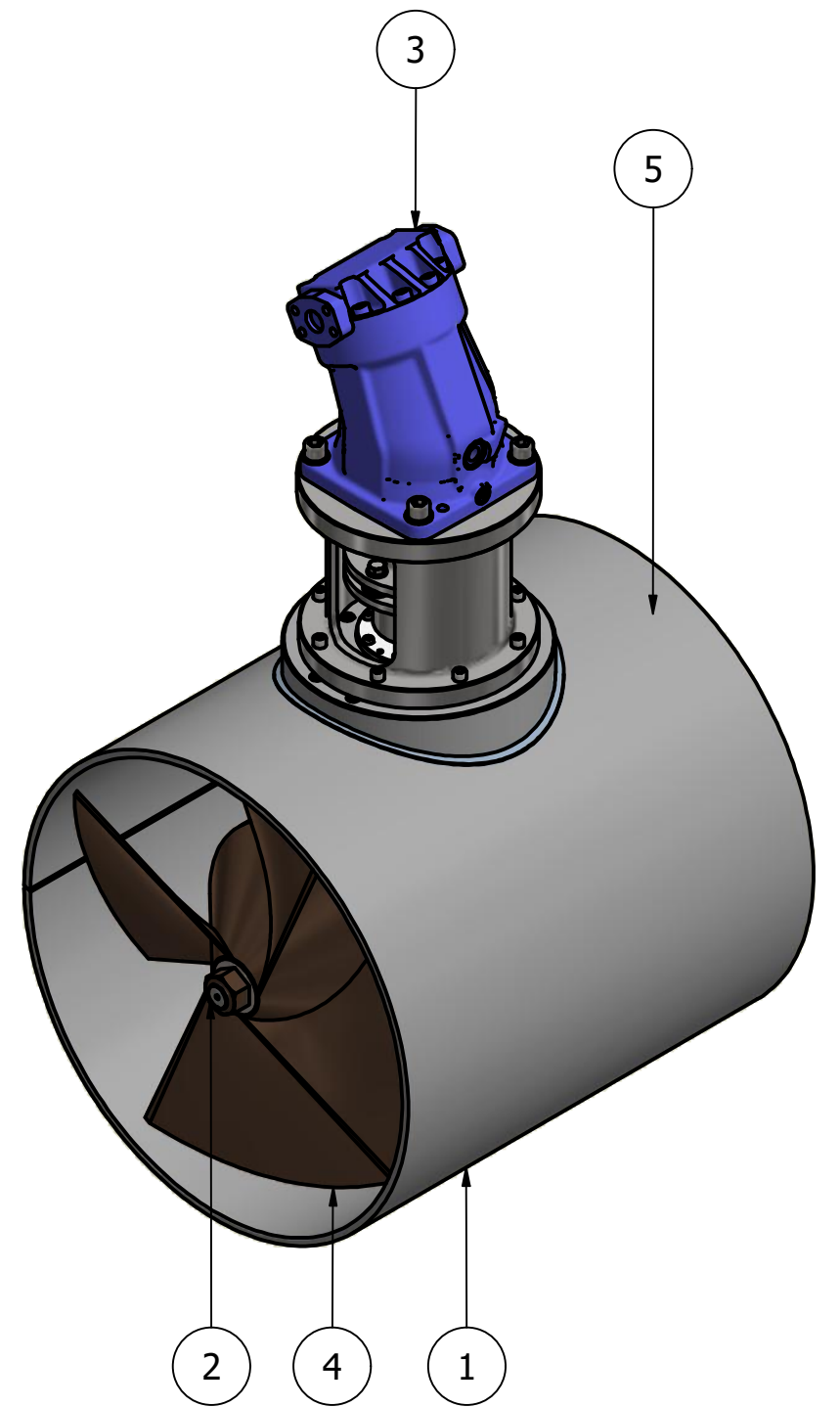
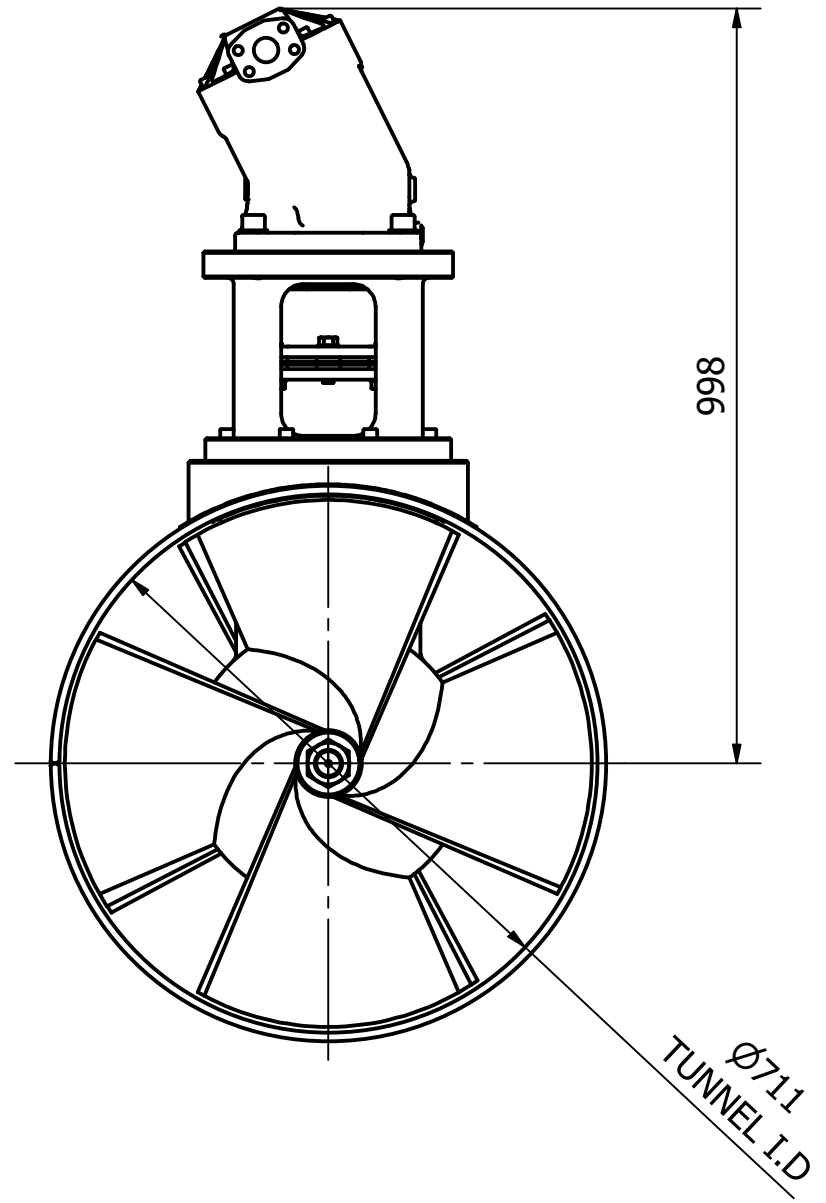
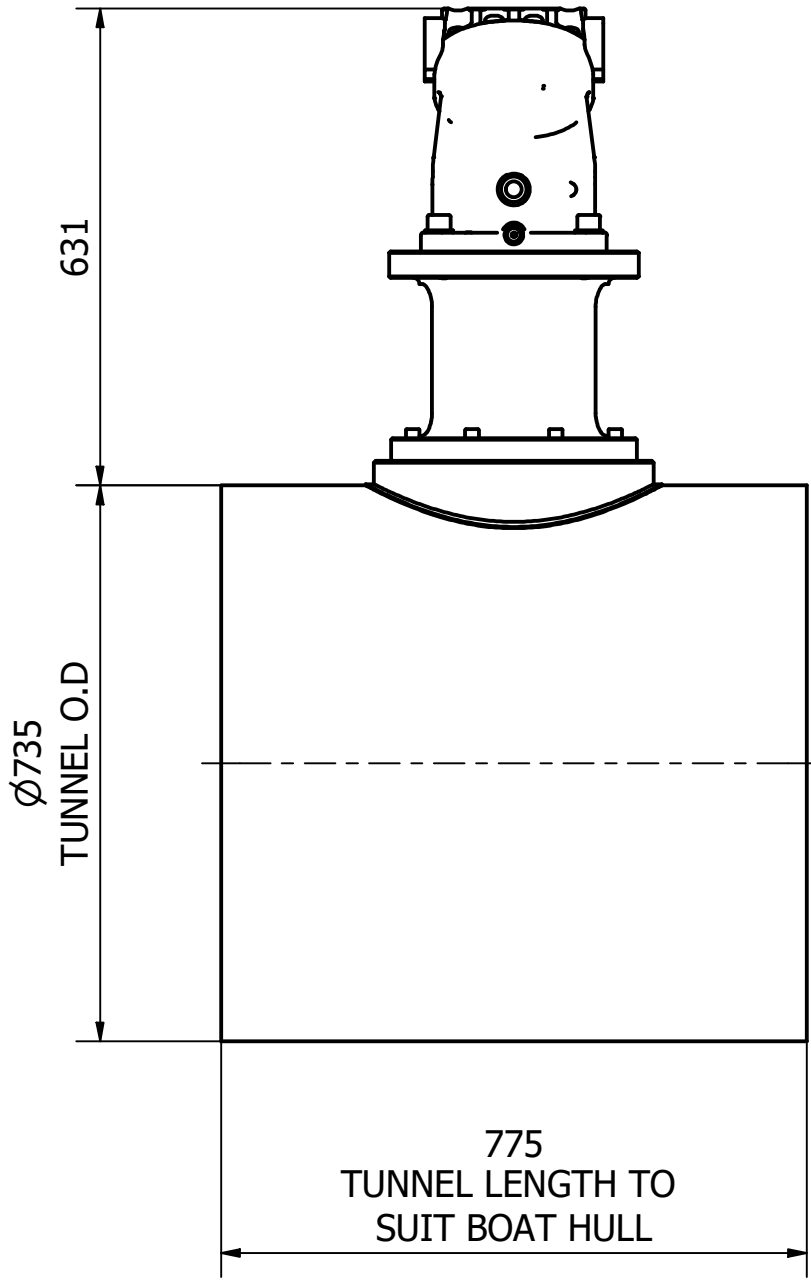




ITEM	QTY	PART NUMBER
1	1	TUNNEL ASSEMBLY
2	1	POD ASSEMBLY
3	1	MOTOR ASSEMBLY
4	1	PROPELLER 1
5	1	PROPELLER 2

NOMINAL PROP DIA	700mm
POWER RANGE	142-194Kw (190-260hp)
MIN / MAX THRUST	1704-2328kgf (3757-5132lbf)
WEIGHT APPROXIMATELY (EXCL TUNNEL)	508kg (1120lb)
STANDARD PRESSURE	330 BAR
NOMINAL FLOW	390 L/min



 Tel: +44 (0)1202 596600 www.oceanyachtsystems.co.uk	Title TUNNEL THRUSTER - HYDRAULIC				Revision 1		Dimensions in millimeters & degrees			
	Drawing No. H-0700-T		Material		Finish		Gen. Tolerance ± 0.2			
	Sheet 1 of 1		Scale NTS @ A3		Mass N/A		Date Drawn 03/03/2020		By JG	
	Modified Date		By		Cert.		Insp.		Grade	

Gen. Finish ± 3.2 ✓

If in doubt ask!