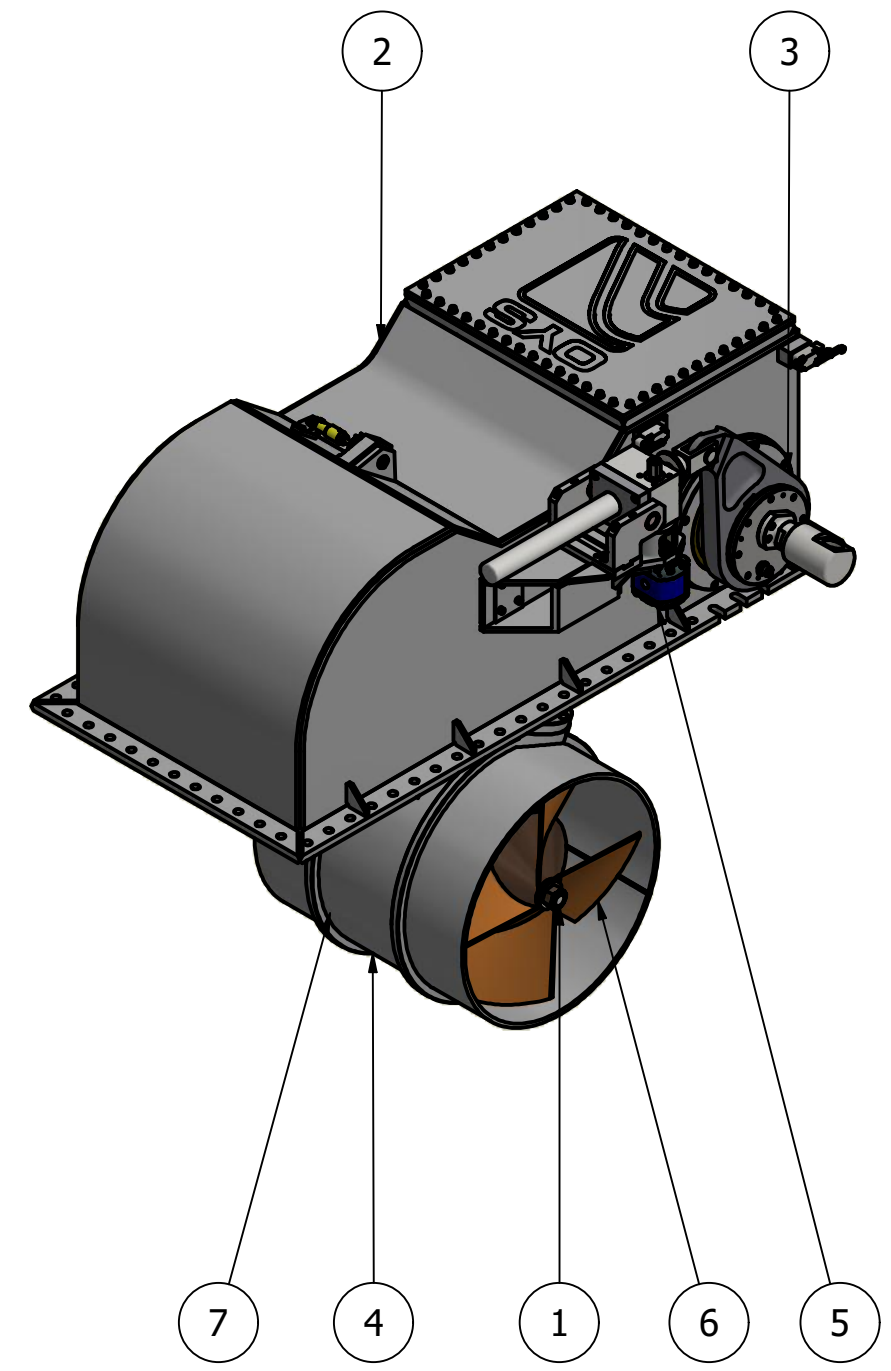
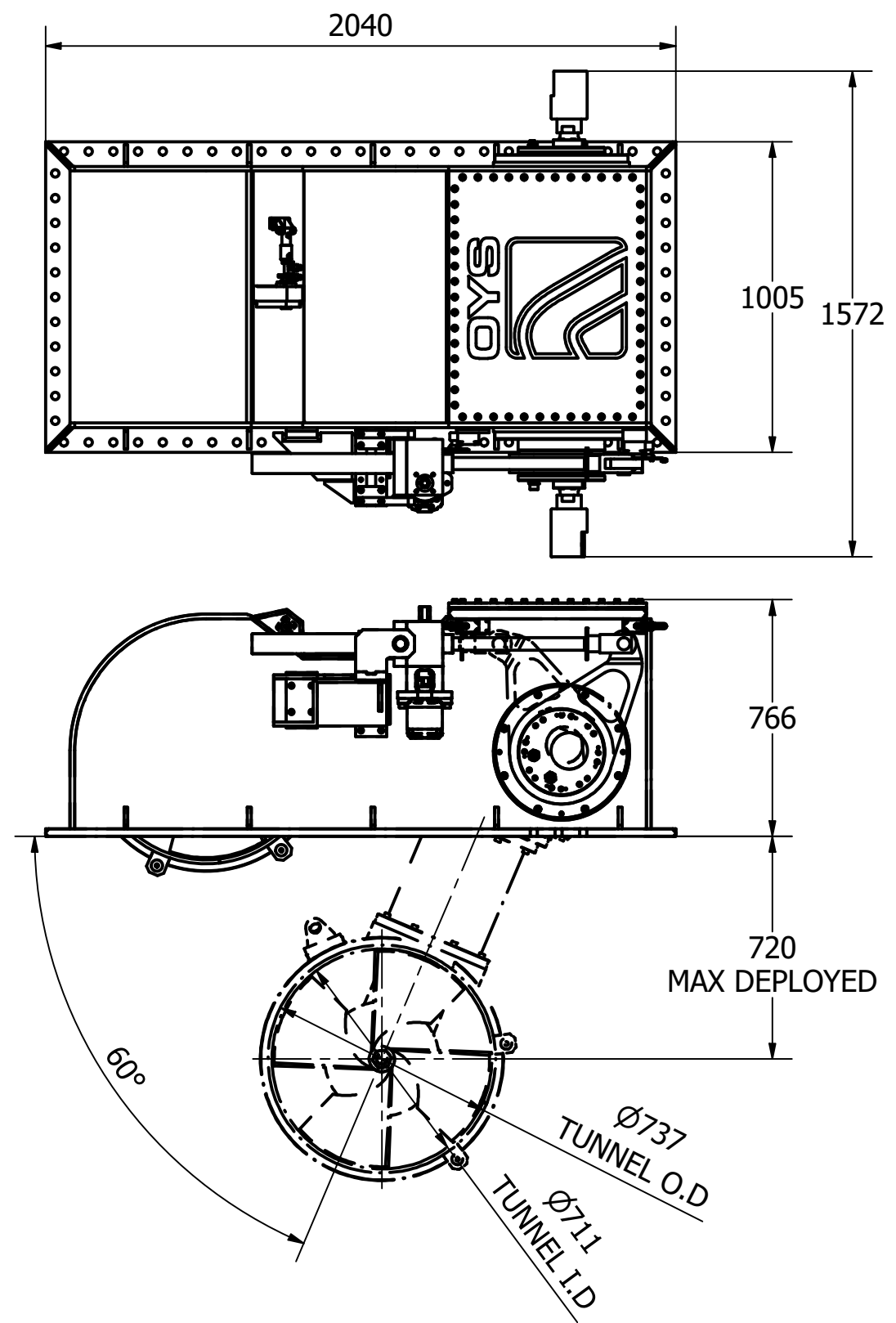




ITEM	QTY	DESCRIPTION
1	1	POD ASSEMBLY
2	1	OUTER BOX ASSEMBLY
3	1	SWING MECHANISM
4	1	TUNNEL ASSEMBLY
5	1	LIFTING MOTOR ASSEMBLY
6	1	PROPELLER 1
7	1	PROPELLER 2

Note:
 • Swing mechanism and hydraulic hose points can be mounted either side of the outer box assembly

NOMINAL PROP DIA	700mm
POWER RANGE	142-194Kw (190-260hp)
MIN / MAX THRUST	1704-2328kgf (3757-5132lbf)
WEIGHT APPROXIMATELY	1181kg (lb)
STANDARD PRESSURE	330 BAR
NOMINAL FLOW	390 L/min



 Tel: +44 (0)1202 596600 www.oceanyachtsystems.co.uk	Title SWING THRUSTER - HYDRAULIC		Revision 1	Dimensions in millimeters & degrees Gen. Tolerance ± 0.2 Gen. Finish 3.2 ✓		
	Drawing No. H-0700-S		Material	Finish		 If in doubt ask!
Sheet 1 of 1	Scale NTS @ A3	Mass N/A	Date Drawn 05/03/2020	By JG	Modified Date	
Q:\THRUSTERS\THRUSTER SALES & SUPPORT DOCS\THRUSTER Sales\H-S\H-0700-S\Models\H-0700-S.idw		© Copyright. All rights to this drawing and design are the sole property of Ocean Yacht Systems Ltd. This drawing must not be copied, communicated or loaned to any third party without the written consent of Ocean Yacht Systems Ltd.				