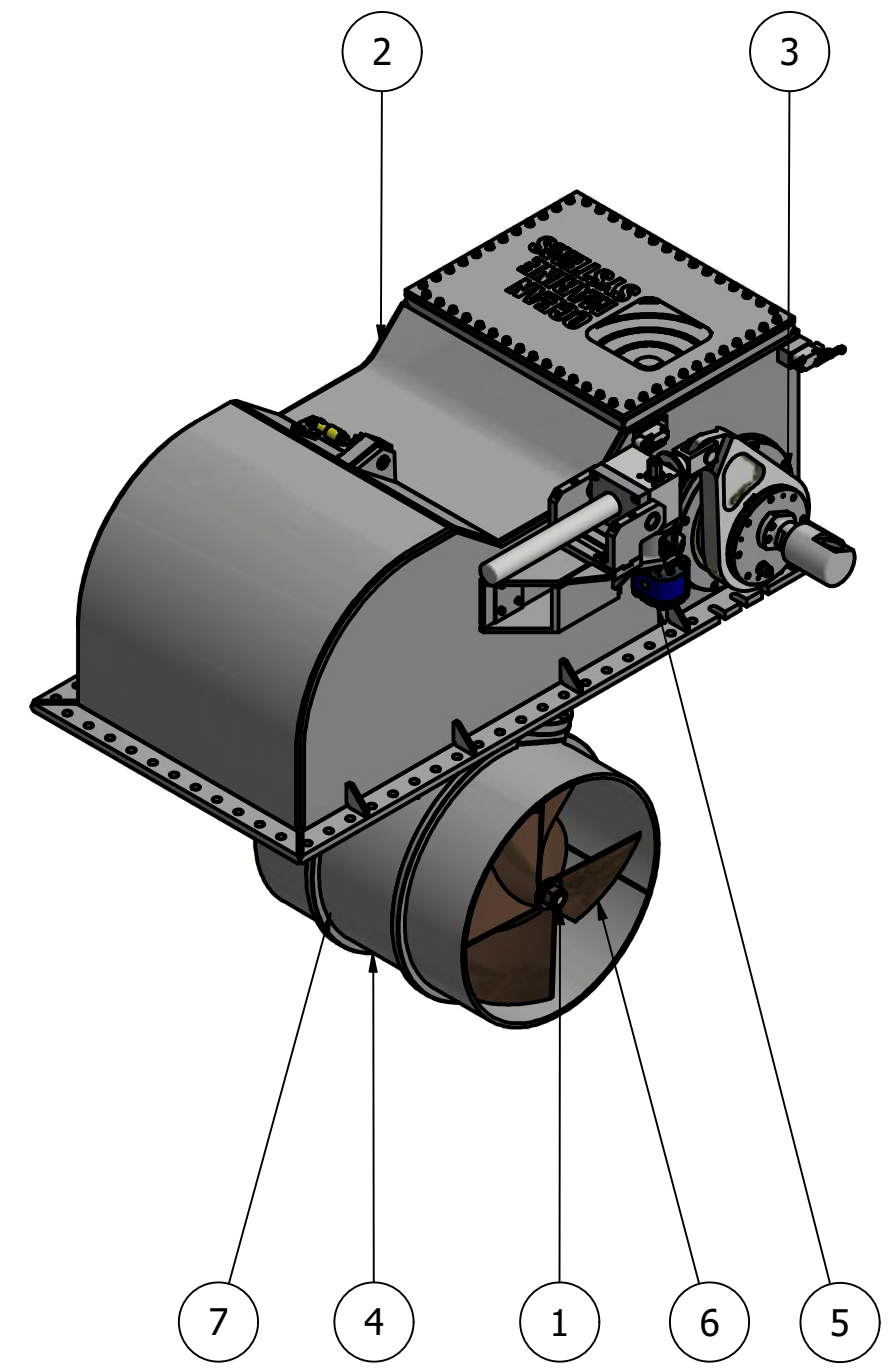
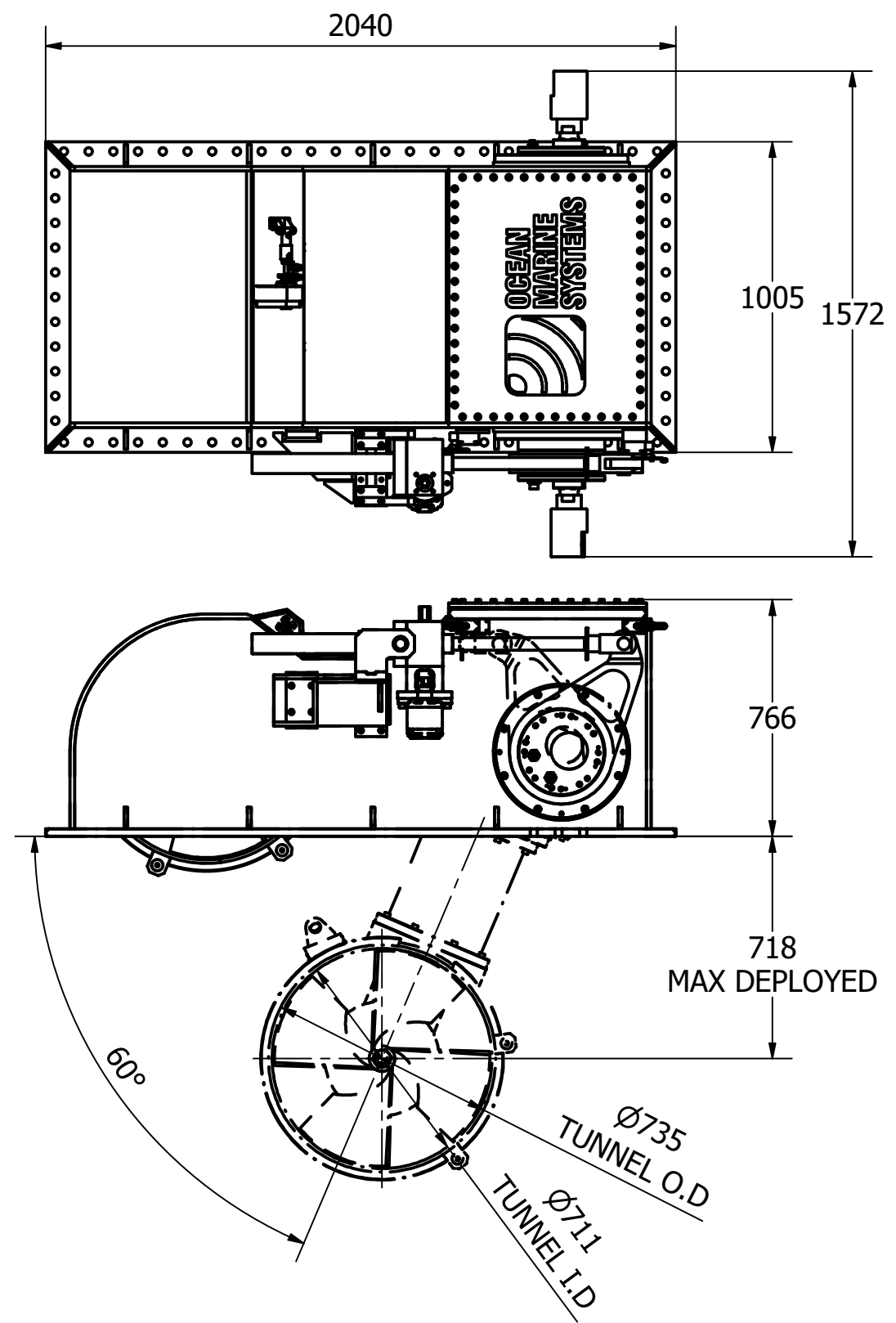


ITEM	QTY	DESCRIPTION
1	1	POD ASSEMBLY
2	1	OUTER BOX ASSEMBLY
3	1	SWING MECHANISM
4	1	TUNNEL ASSEMBLY
5	1	LIFTING MOTOR ASSEMBLY
6	1	PROPELLER 1
7	1	PROPELLER 2

Note:  
 • Swing mechanism and hydraulic hose points can be mounted either side of the outer box assembly

NOMINAL PROP DIA	700mm
POWER RANGE	142-194Kw (190-260hp)
MIN / MAX THRUST	1704-2328kgf (3757-5132lbf)
WEIGHT APPROXIMATELY	1181kg (lb)
STANDARD PRESSURE	330 BAR
NOMINAL FLOW	390 L/min



	Title		Revision		Dimensions in millimeters & degrees		
	SWING THRUSTER - HYDRAULIC		1		Gen. Tolerance ± 0.2 Gen. Finish 3.2		
Drawing No.		Material		Finish		 If in doubt ask!	
H-0700-S							
Sheet 1 of 1		Scale NTS @ A3		Mass N/A		Date Drawn 05/03/2020 By JG	
Tel: +44 (0)1202 596630 www.oceanmarinesystems.co.uk		Modified Date		By		Cert. Insp. Grade	