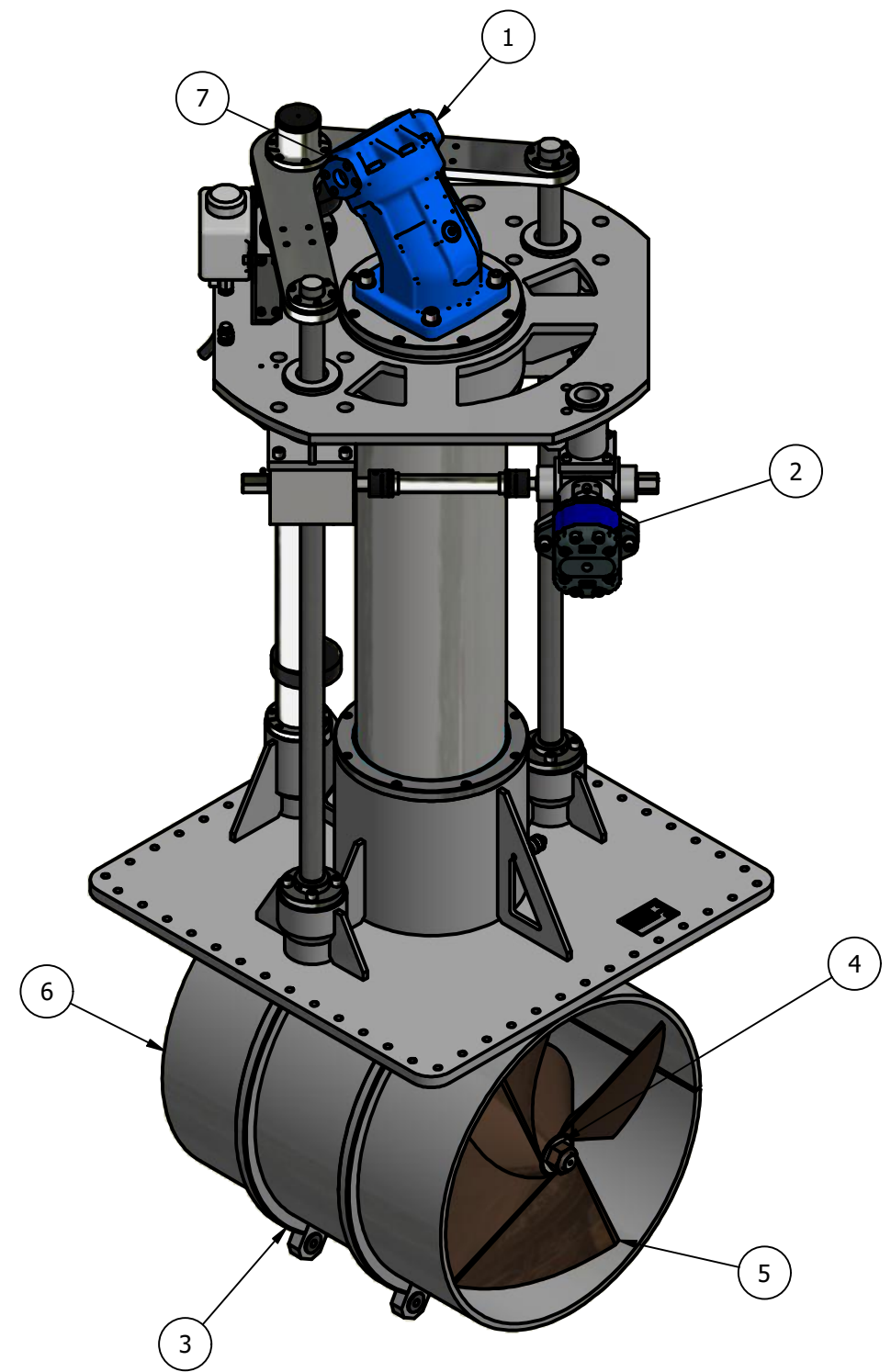
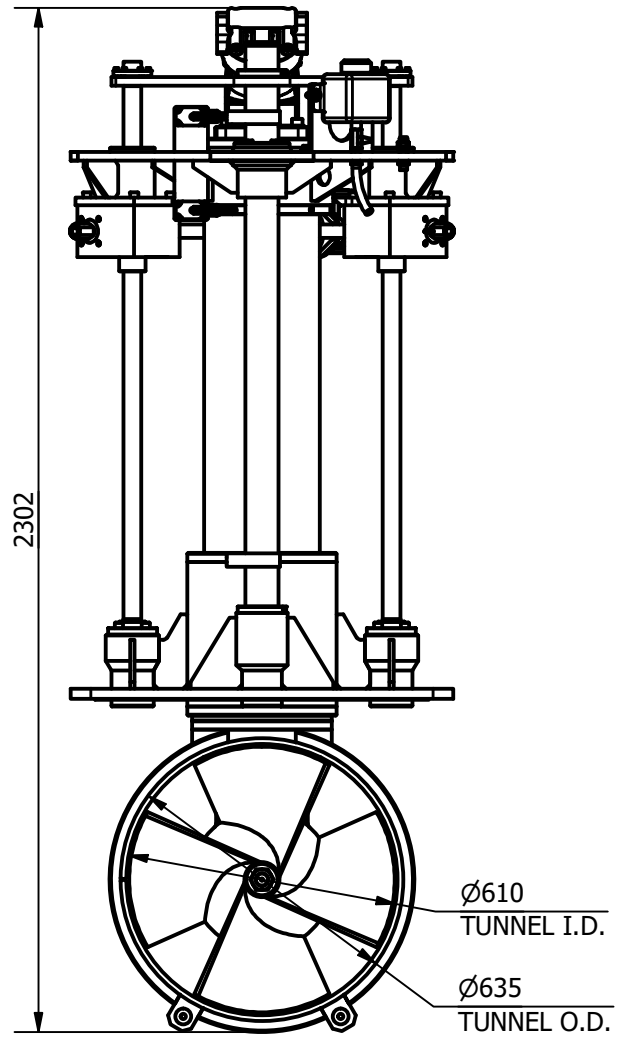
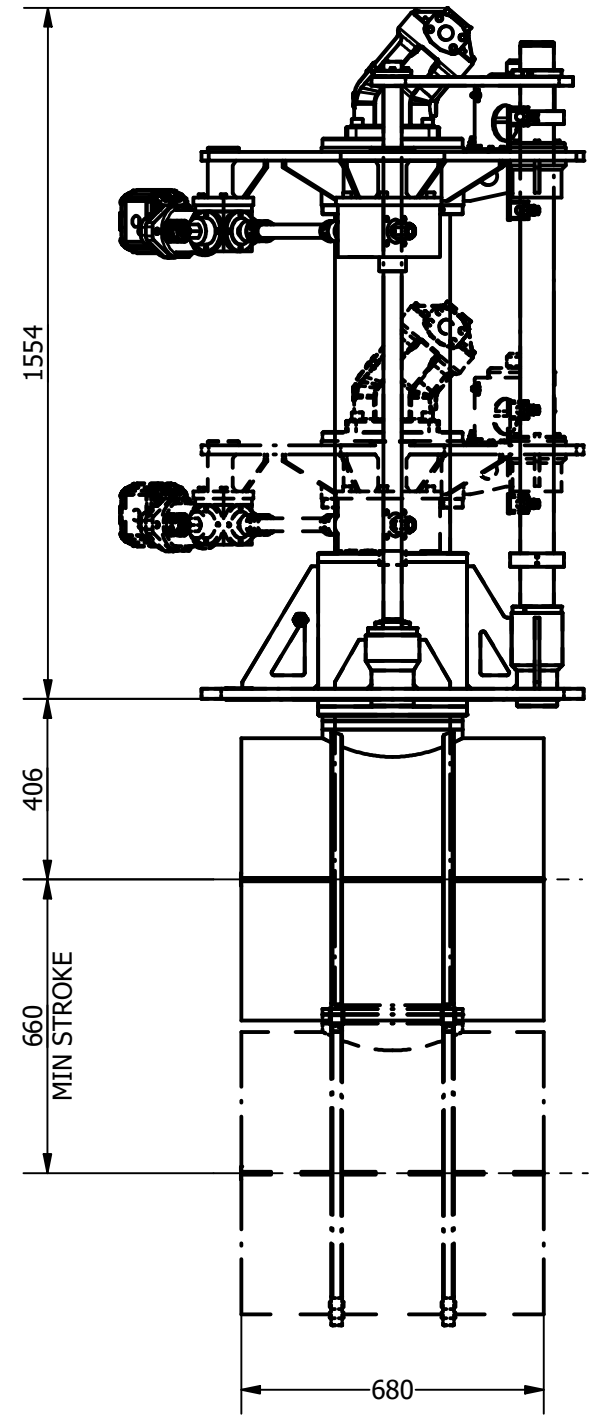
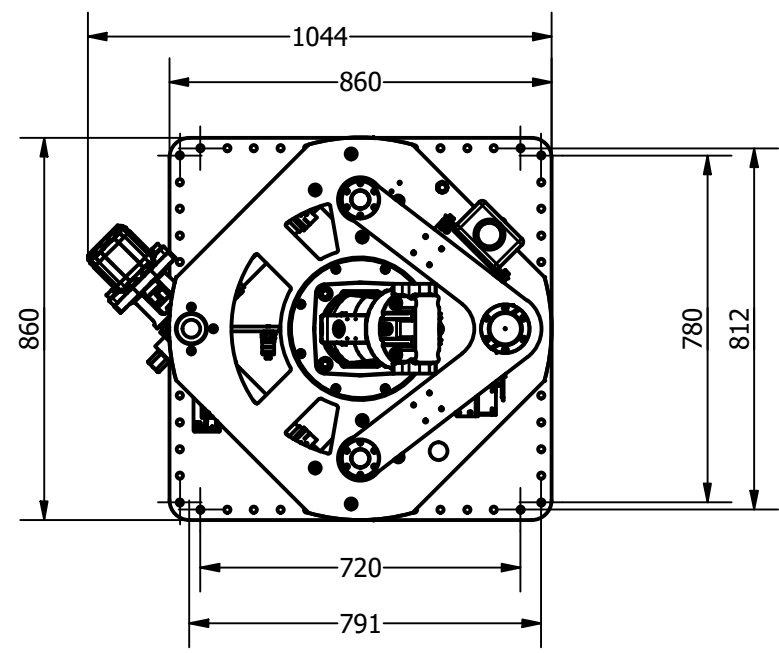

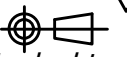


| ITEM | QTY | DESCRIPTION                |
|------|-----|----------------------------|
| 1    | 1   | HYDRAULIC MAIN DRIVE MOTOR |
| 2    | 1   | HYDRAULIC LIFT MECHANISM   |
| 3    | 1   | TUNNEL ASSEMBLY            |
| 4    | 1   | POD ASSEMBLY               |
| 5    | 1   | PROPELLER 1                |
| 6    | 1   | PROPELLER 2                |
| 7    | 2   | PROXIMITY SENSOR           |

|                      |                             |
|----------------------|-----------------------------|
| NOMINAL PROP DIA     | 600mm                       |
| POWER RANGE          | 99-142Kw (133-190hp)        |
| MIN / MAX THRUST     | 1188-1704kgf (2619-3756lbf) |
| WEIGHT APPROXIMATELY | 715kg (1576lb)              |
| STANDARD PRESSURE    | 330 Bar                     |
| NOMINAL FLOW         | 310 L/min                   |



|   |   |                    |                                 |                 |  |
|---|---|--------------------|---------------------------------|-----------------|--|
|  <p>Tel: +44 (0)1202 596630<br/>www.oceanmarinesystems.co.uk</p>   | <b>Title</b><br>VERTICAL RETRACT THRUSTER - HYDRAULIC |                    | <b>Revision</b><br>2            |                 | Dimensions in millimeters & degrees<br>Gen. Tolerance ± 0.2<br>Gen. Finish 3.2 ✓<br><br><i>If in doubt ask!</i> |
|   | <b>Drawing No.</b><br>H-0600-V                        | <b>Material</b>    | <b>Finish</b>                   |                 |  |
| <b>Sheet</b><br>1 of 1  | <b>Scale</b><br>NTS @ A3                              | <b>Mass</b><br>N/A | <b>Date Drawn</b><br>16/03/2020 | <b>By</b><br>CR | <b>Modified Date</b><br>   |
| © Copyright. All rights to this drawing and design are the sole property of Ocean Marine Systems Ltd. This drawing must not be copied, communicated or loaned to any third party without the written consent of Ocean Marine Systems Ltd. |   |                    |                                 |                 |  |