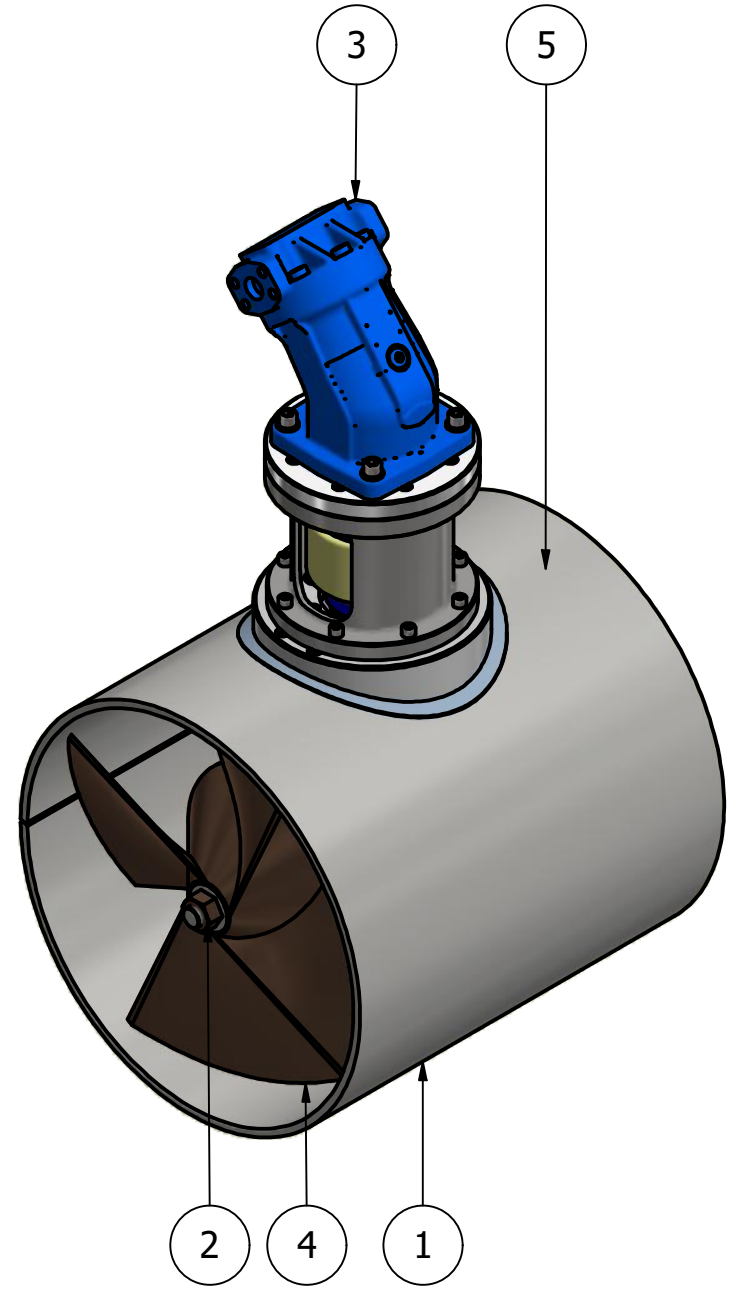
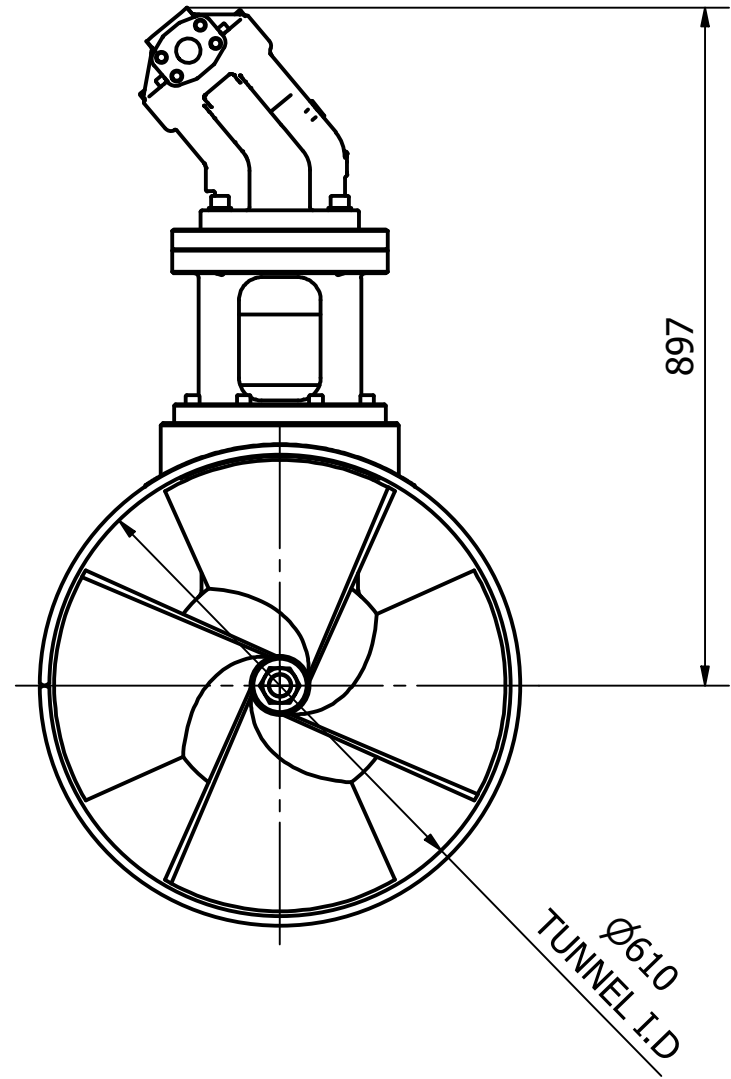
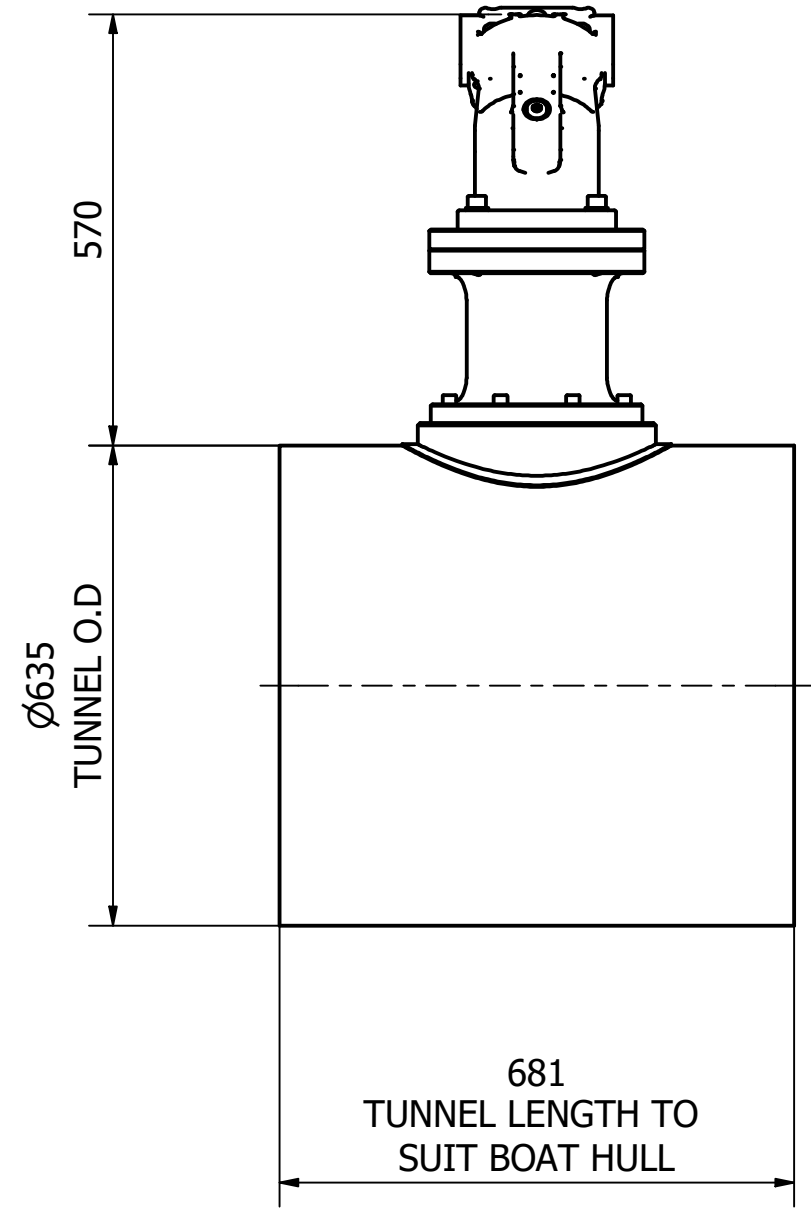




ITEM	QTY	PART NUMBER
1	1	TUNNEL ASSEMBLY
2	1	POD ASSEMBLY
3	1	MOTOR ASSEMBLY
4	1	PROPELLER 1
5	1	PROPELLER 2

NOMINAL PROP DIA	600mm
POWER RANGE	99-142Kw (133-190hp)
MIN / MAX THRUST	1188-1704kgf (2619-3757lbf)
WEIGHT APPROXIMATELY (EXCL TUNNEL)	359kg (791lb)
STANDARD PRESSURE	305 BAR
NOMINAL FLOW	310 L/min



 Tel: +44 (0)1202 596600 www.oceanyachtsystems.co.uk	Title TUNNEL THRUSTER - HYDRAULIC			Revision 1	Dimensions in millimeters & degrees Gen. Tolerance ± 0.2 Gen. Finish 3.2 ✓  If in doubt ask!				
	Drawing No. H-0600-T	Material	Finish						
Sheet 1 of 1	Scale NTS @ A3	Mass N/A	Date Drawn 03/03/2020	By JG	Modified Date	By	Cert.	Insp.	Grade