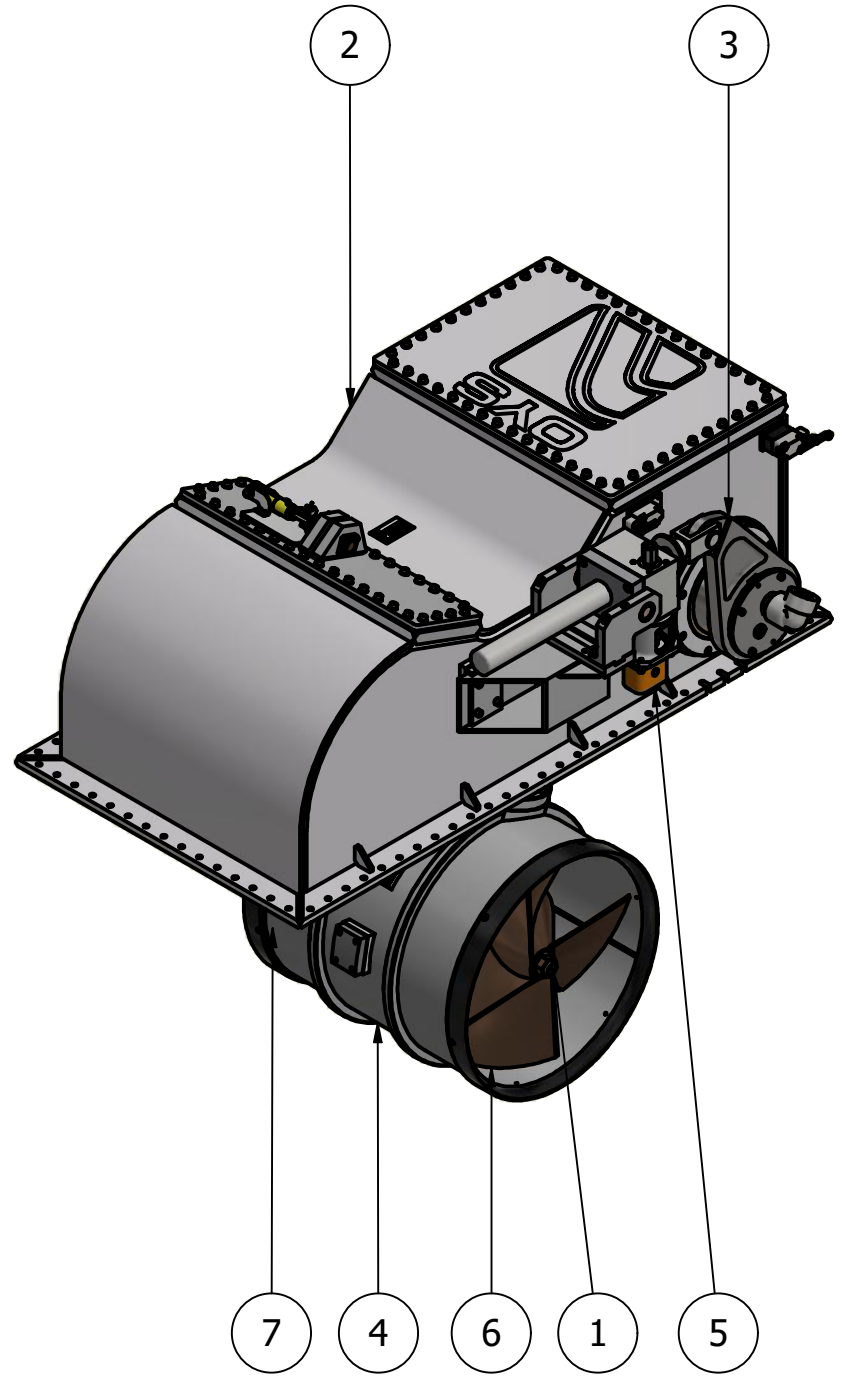
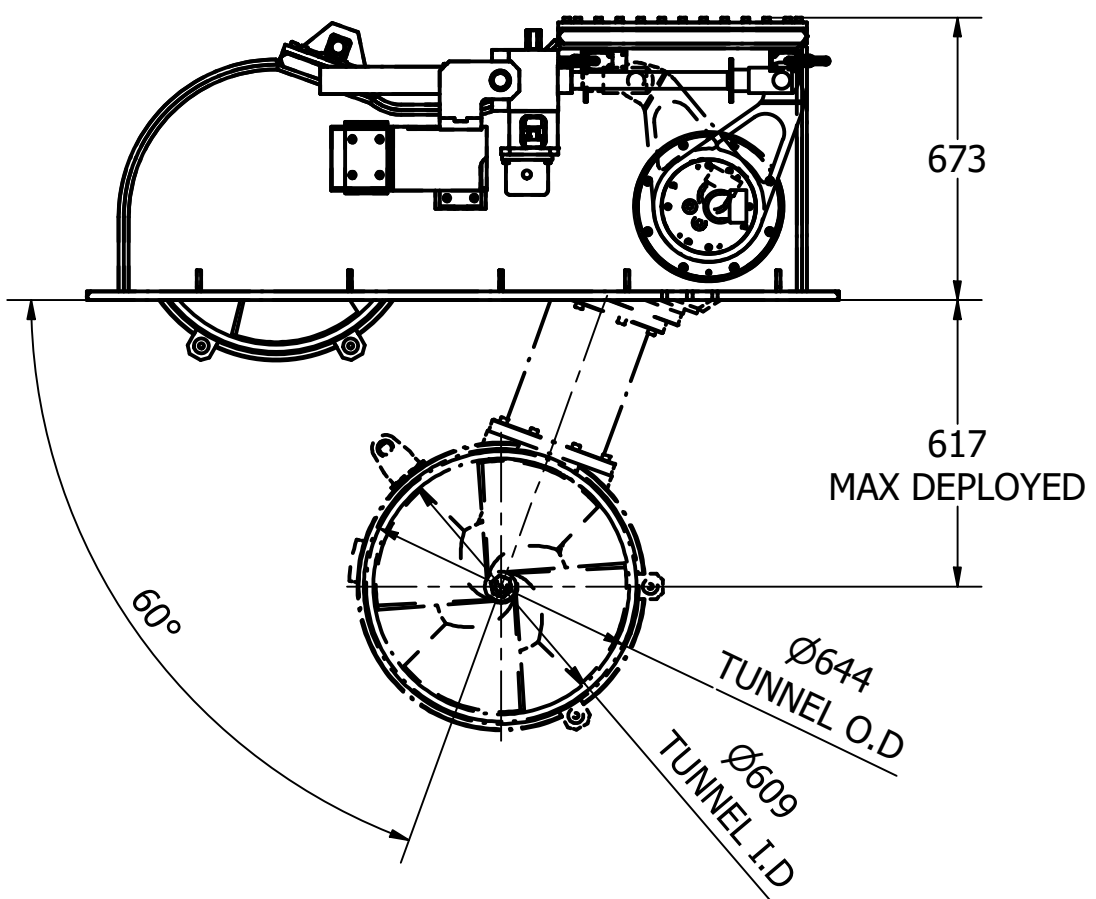
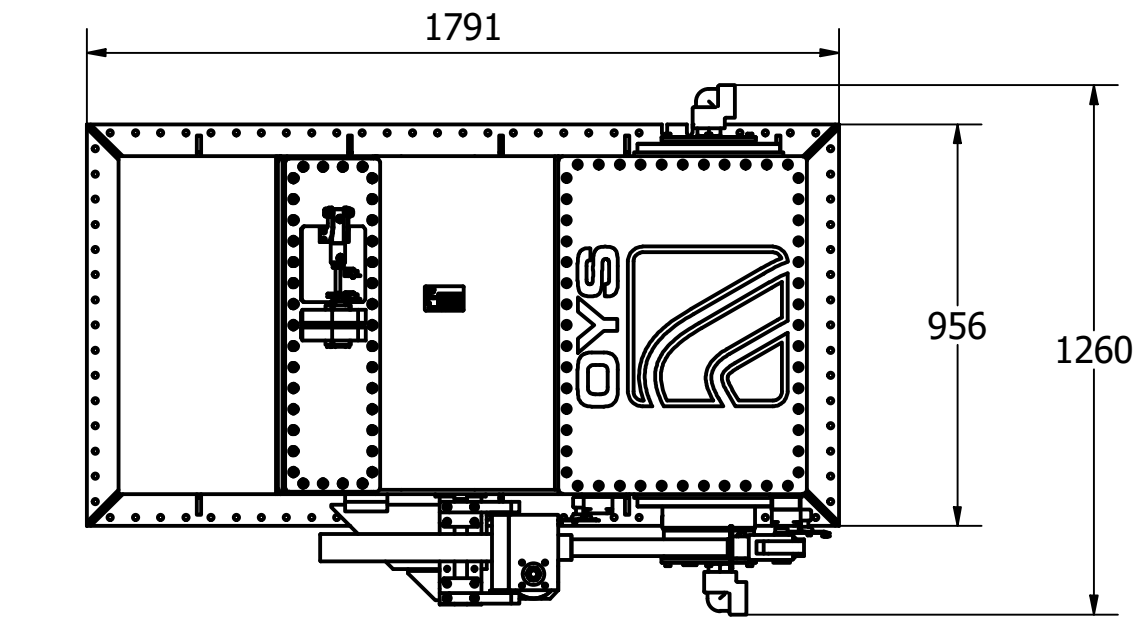




ITEM	QTY	DESCRIPTION
1	1	POD ASSEMBLY
2	1	OUTER BOX ASSEMBLY
3	1	SWING BOX ASSEMBLY
4	1	TUNNEL ASSEMBLY
5	1	LIFTING MECHANISM
6	1	PROPELLER CASTING
7	1	PROPELLER CASTING

Note:
 • Swing mechanism and hydraulic hose points can be mounted either side of the outer box assembly

NOMINAL PROP DIA	600mm
POWER RANGE	99-142Kw (133-190hp)
MIN / MAX THRUST	1188-1704kgf (2619-3757lbf)
WEIGHT APPROXIMATELY	816kg (1800lb)
STANDARD PRESSURE	305 BAR
NOMINAL FLOW	310 L/min



 Tel: +44 (0)1202 596600 www.oceanyachtsystems.co.uk	Title SWING THRUSTER - HYDRAULIC				Revision 1		Dimensions in millimeters & degrees		
	Drawing No. H-0600-S		Material		Finish		Gen. Tolerance ± 0.2 Gen. Finish 3.2		
Sheet 1 of 1	Scale NTS @ A3	Mass N/A	Date Drawn 11/03/2020	By JG	Modified Date	By	 If in doubt ask!		
							Cert.	Insp.	Grade