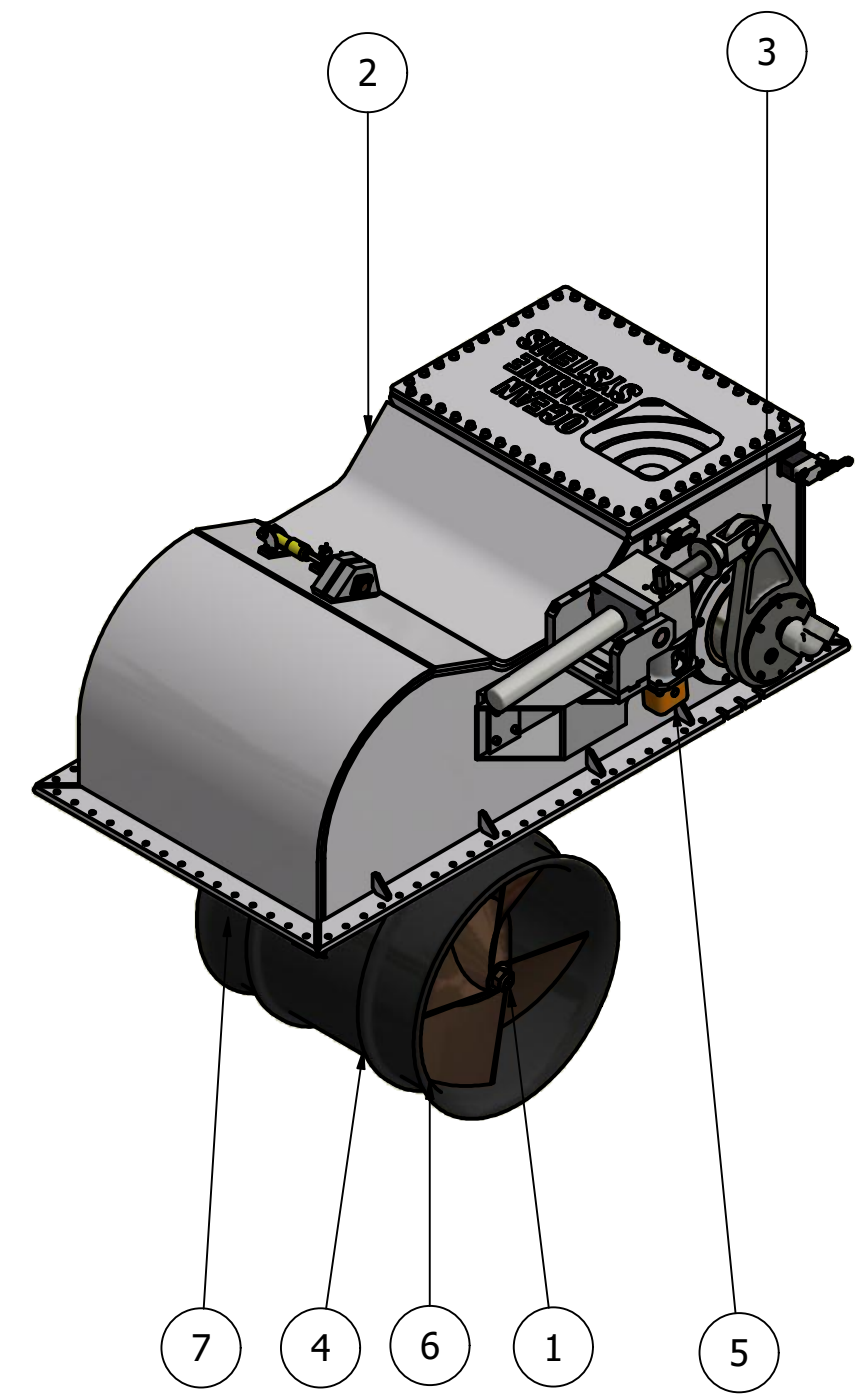
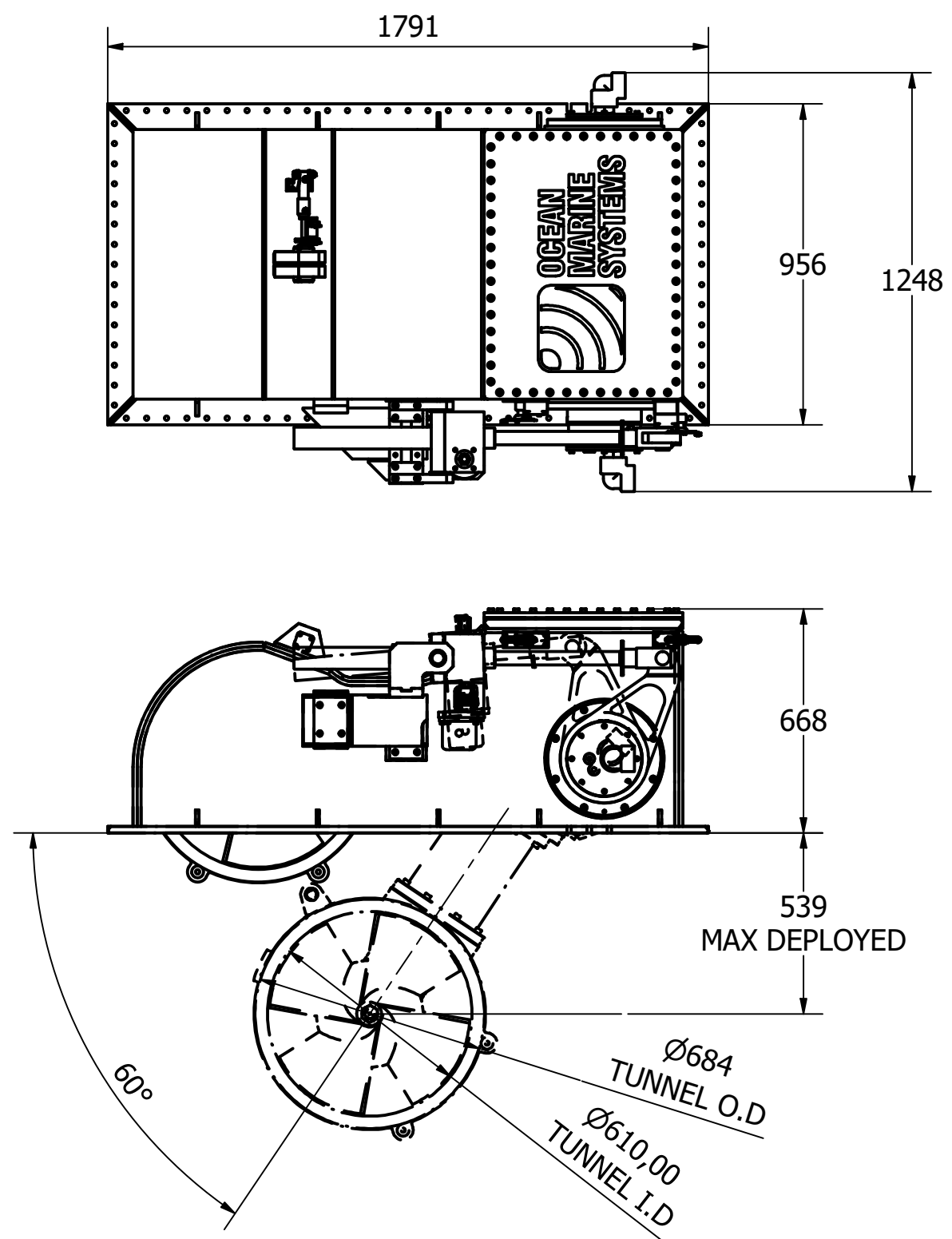


ITEM	QTY	DESCRIPTION
1	1	POD ASSEMBLY
2	1	OUTER BOX ASSEMBLY
3	1	SWING BOX ASSEMBLY
4	1	TUNNEL ASSEMBLY
5	1	LIFTING MECHANISM
6	1	PROPELLER CASTING
7	1	PROPELLER CASTING

Note:  
 • Swing mechanism and hydraulic hose points can be mounted either side of the outer box assembly

NOMINAL PROP DIA	600mm
POWER RANGE	99-142Kw (133-190hp)
MIN / MAX THRUST	1188-1704kgf (2619-3757lbf)
WEIGHT APPROXIMATELY	816kg (1800lb)
STANDARD PRESSURE	305 BAR
NOMINAL FLOW	310 L/min



	Title				Revision		Dimensions in millimeters & degrees		
	SWING THRUSTER - HYDRAULIC				1		Gen. Tolerance ± 0.2 Gen. Finish 3.2		
Drawing No.		Material		Finish		 If in doubt ask!			
H-0600-S									
Sheet	Scale	Mass	Date Drawn	By	Modified Date	By	Cert.	Insp.	Grade
1 of 1	NTS @ A3	N/A	11/03/2020	JG	26/01/2021	BW			
Tel: +44 (0)1202 596630 www.oceanmarinesystems.co.uk © Copyright. All rights to this drawing and design are the sole property of Ocean Marine Systems Ltd. This drawing must not be copied, communicated or loaned to any third party without the written consent of Ocean Marine Systems Ltd.									