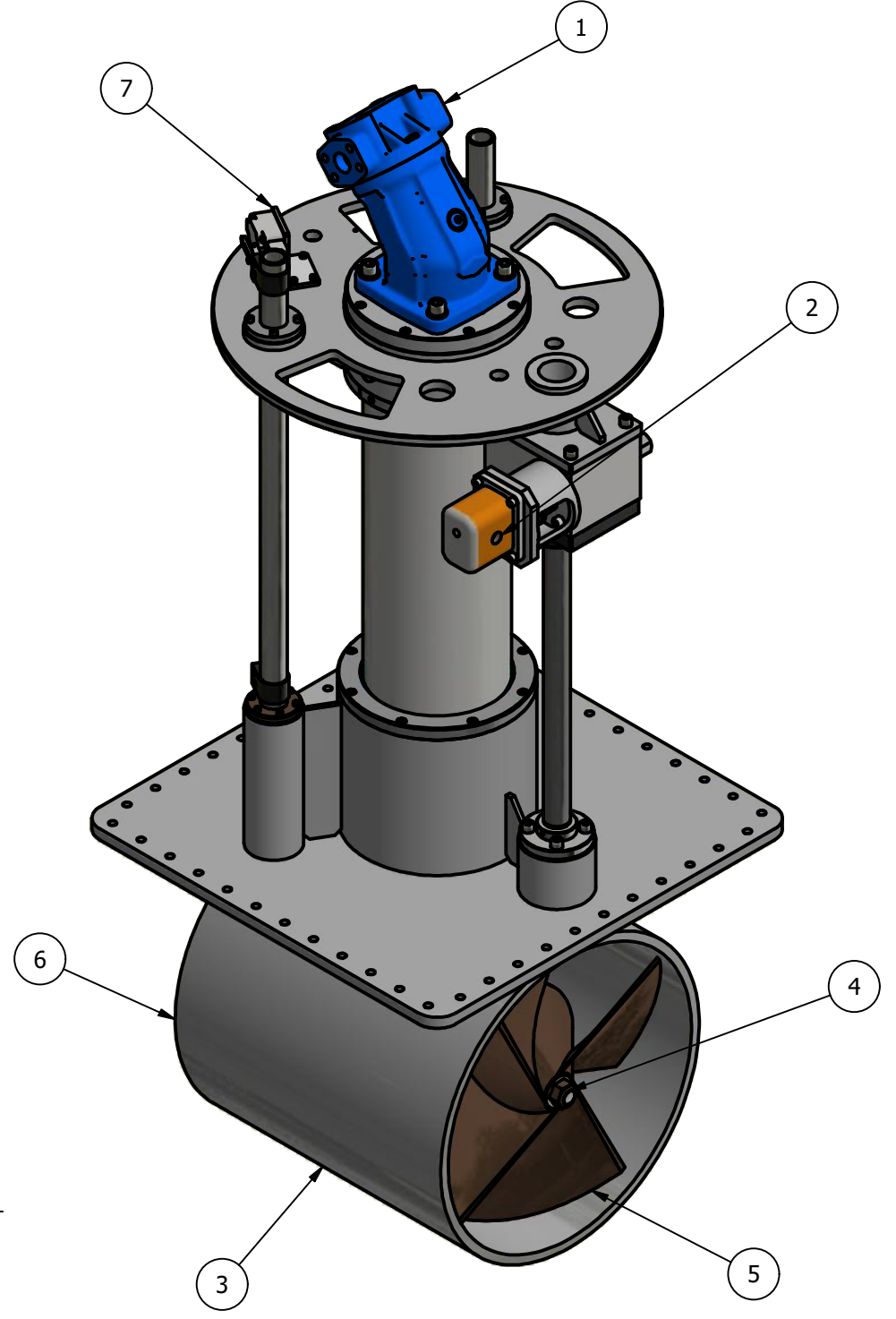
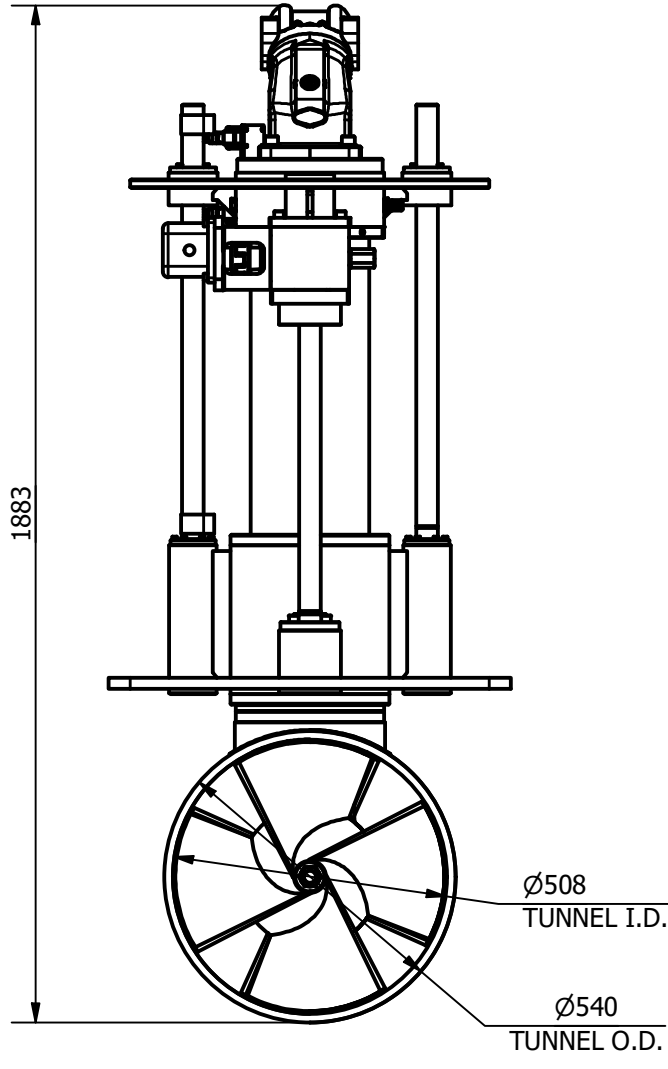
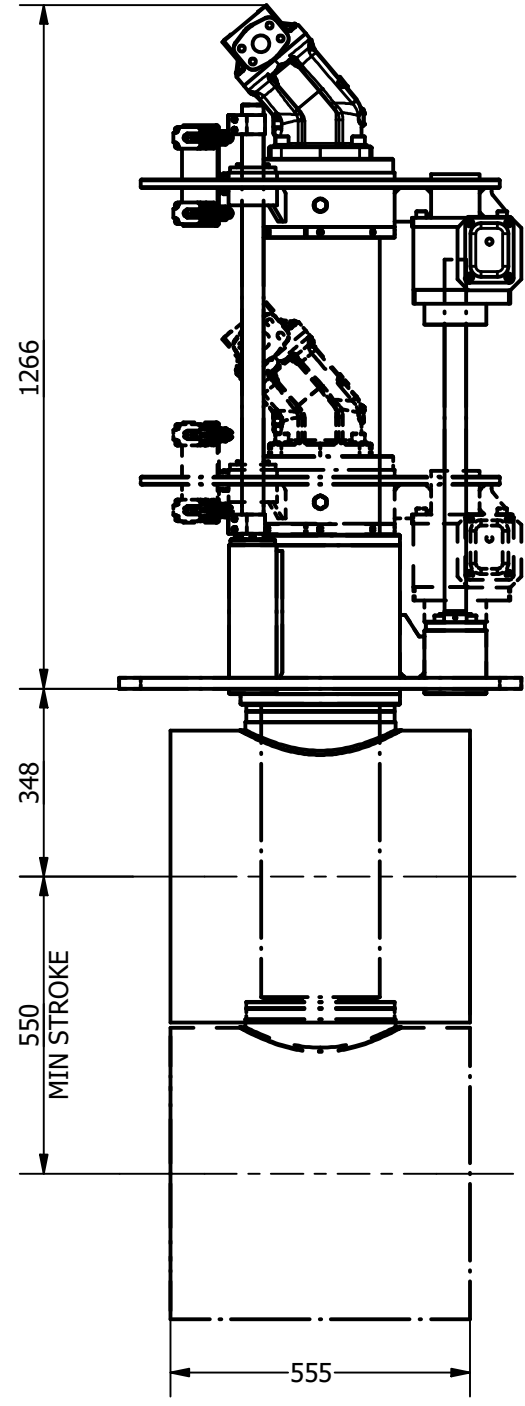
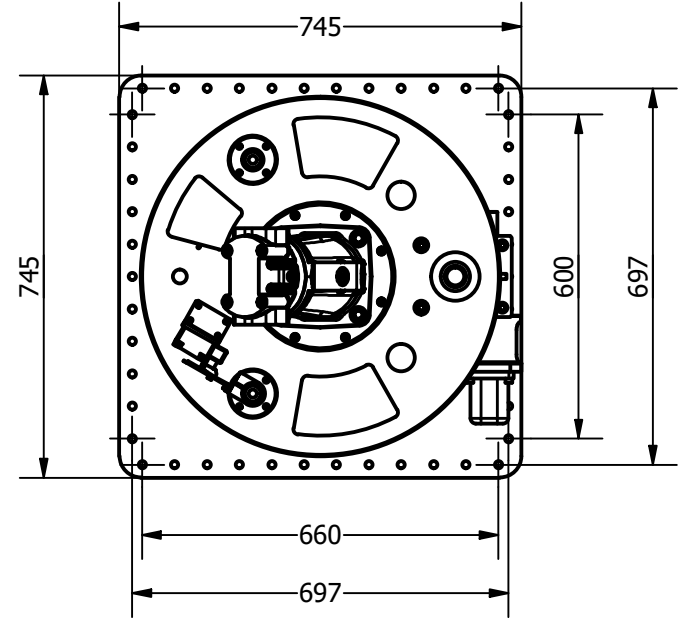



ITEM	QTY	DESCRIPTION
1	1	HYDRAULIC MAIN DRIVE MOTOR
2	1	HYDRAULIC LIFT MECHANISM
3	1	TUNNEL ASSEMBLY
4	1	POD ASSEMBLY
5	1	PROPELLER 1
6	1	PROPELLER 2
7	2	PROXIMITY SENSOR

NOMINAL PROP DIA	500mm
POWER RANGE	63-99Kw (85-133hp)
MIN / MAX THRUST	756-1188kgf (1667-2619lbf)
WEIGHT APPROXIMATELY	424kg (935lb)
STANDARD PRESSURE	305 Bar
NOMINAL FLOW	265 L/min



 <p>OCEAN MARINE SYSTEMS</p> <p>Tel: +44 (0)1202 596630 www.oceanmarinesystems.co.uk</p>	<p>Title: VERTICAL RETRACT THRUSTER - HYDRAULIC</p>		<p>Revision: 2</p>	<p>Dimensions in millimeters & degrees</p> <p>Gen. Tolerance ± 0.2</p> <p>Gen. Finish 3.2</p>					
	<p>Drawing No. H-0500-V</p>	<p>Material</p>	<p>Finish</p>	<p>Material</p>	<p>Gen. Finish 3.2</p>				
<p>Sheet 1 of 1</p>	<p>Scale NTS @ A3</p>	<p>Mass N/A</p>	<p>Date Drawn 05/03/2020</p>	<p>By CR</p>	<p>Modified Date</p>	<p>By</p>	<p>Cert. Y</p>	<p>Insp. III</p>	<p>Grade A</p>

© Copyright. All rights to this drawing and design are the sole property of Ocean Marine Systems Ltd. This drawing must not be copied, communicated or loaned to any third party without the written consent of Ocean Marine Systems Ltd.