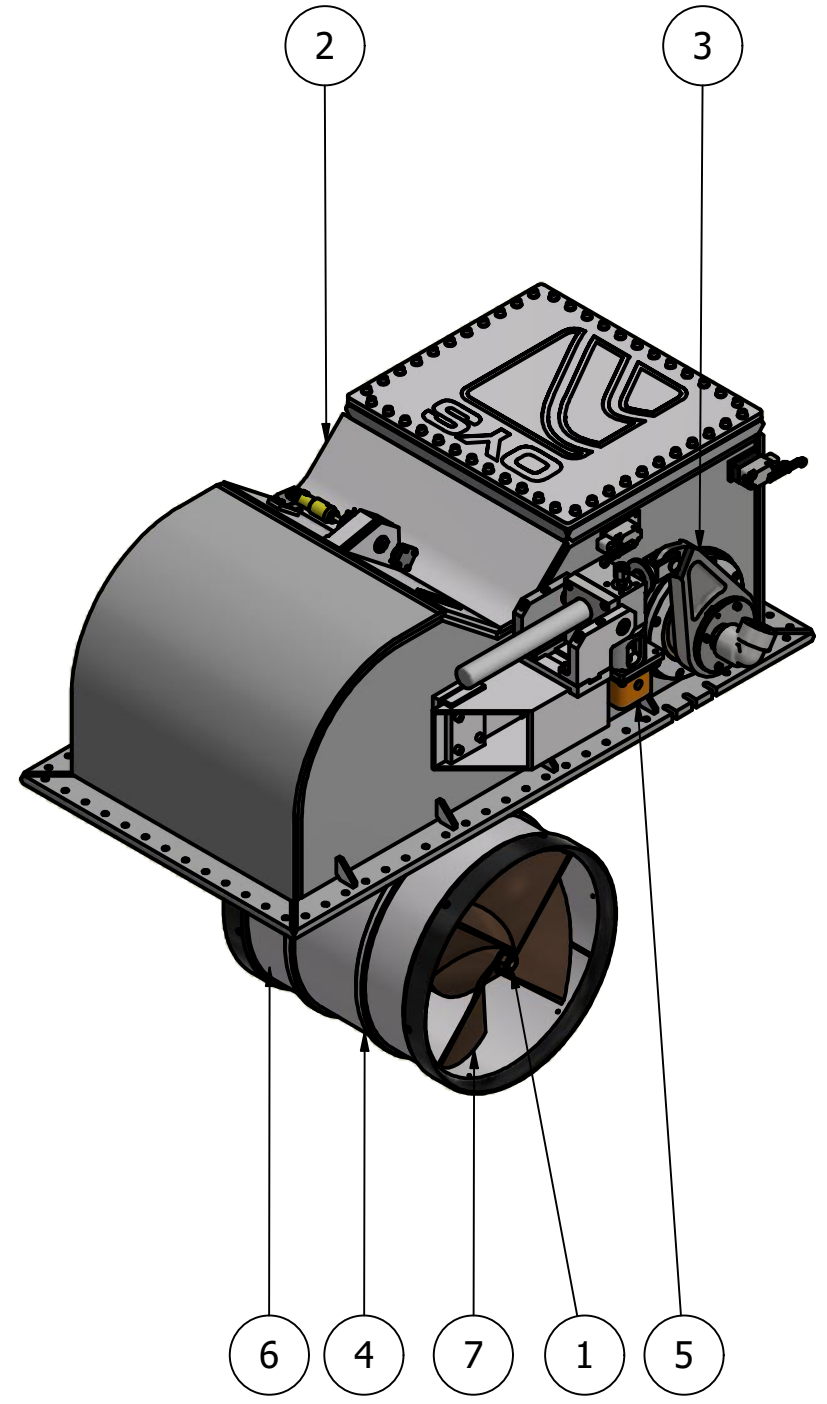
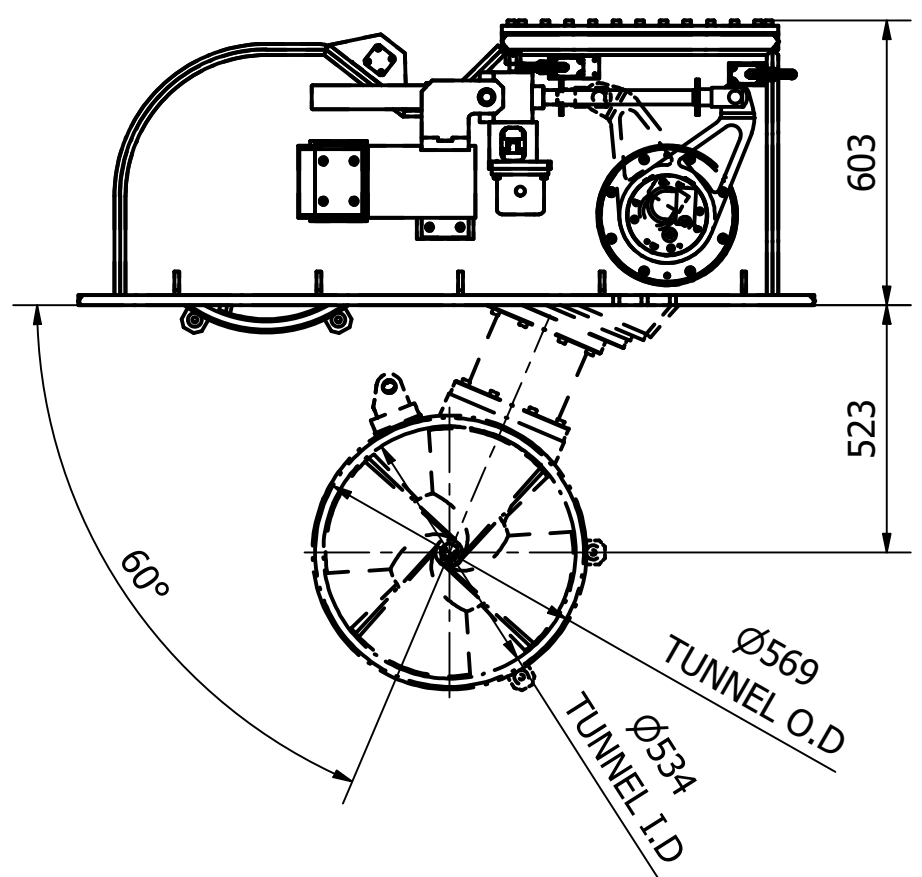
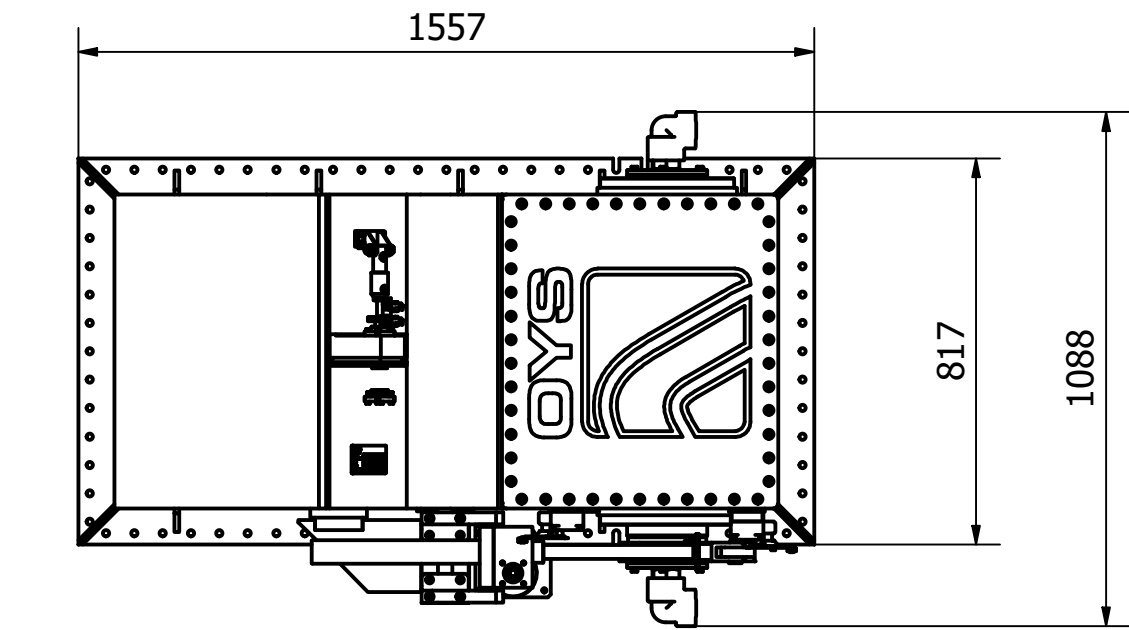




ITEM	QTY	DESCRIPTION
1	1	POD ASSEMBLY
2	1	OUTER BOX ASSEMBLY
3	1	SWING BOX ASSEMBLY
4	1	TUNNEL ASSEMBLY
5	1	LIFTING MECHANISM
6	1	PROPELLER CASTING
7	1	PROPELLER CASTING

Note:
 • Swing mechanism and hydraulic hose points can be mounted either side of the outer box assembly

NOMINAL PROP DIA	500mm
POWER RANGE	63-99Kw (85-133hp)
MIN / MAX THRUST	756-1188kgf (1667-2619lbf)
WEIGHT APPROXIMATELY	562kg (1239lb)
STANDARD PRESSURE	305 BAR
NOMINAL FLOW	265 L/min



 Tel: +44 (0)1202 596600 www.oceanyachtsystems.co.uk	Title SWING THRUSTER				Revision 1	Dimensions in millimeters & degrees			
	Drawing No. H-0500-S		Material	Finish		Gen. Tolerance ± 0.2 Gen. Finish 3.2 ✓			
Sheet 1 of 1	Scale @ A3	Mass N/A	Date Drawn 10/03/2020	By JG	Modified Date	By	 If in doubt ask!		
					Cert.	Insp.	Grade		