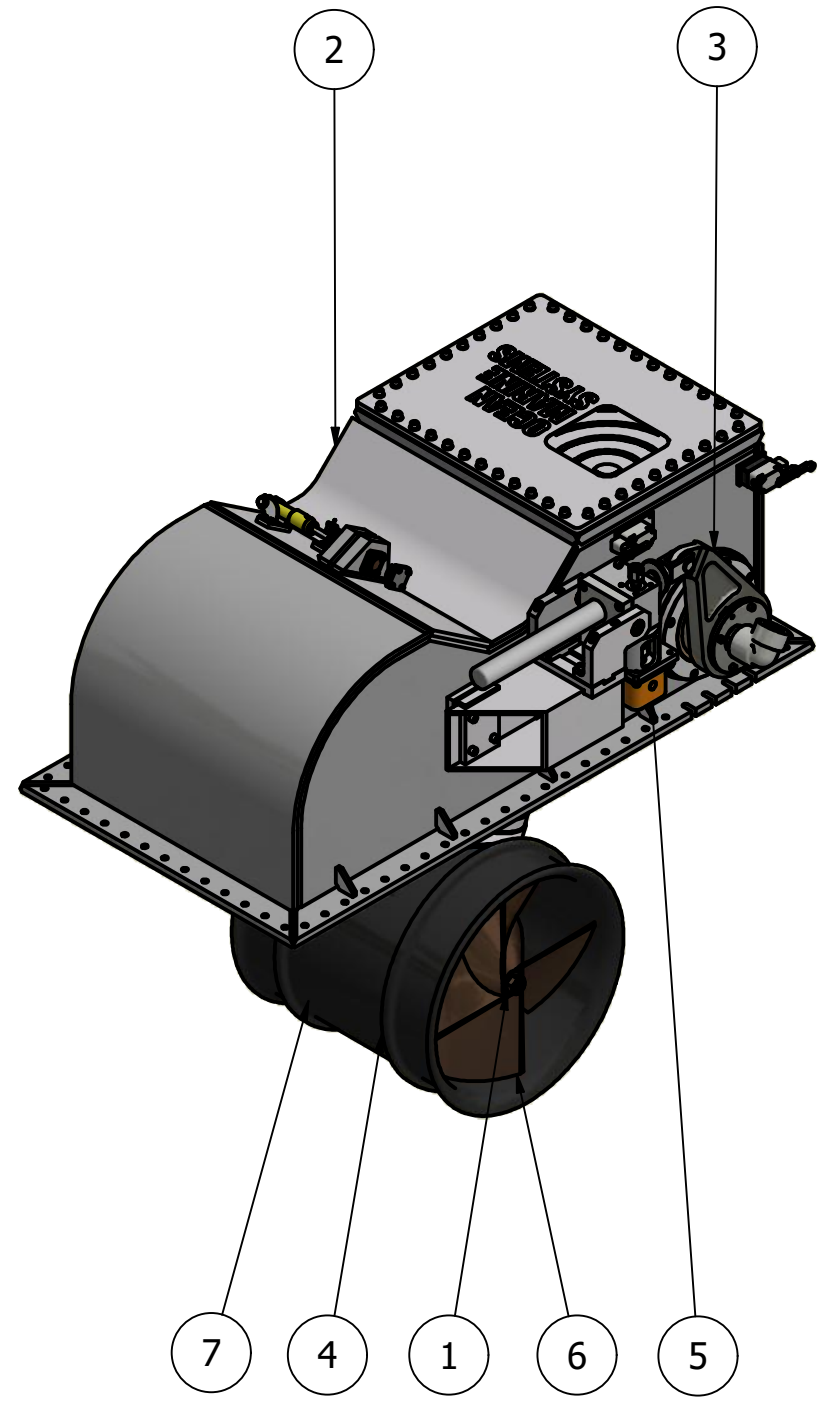
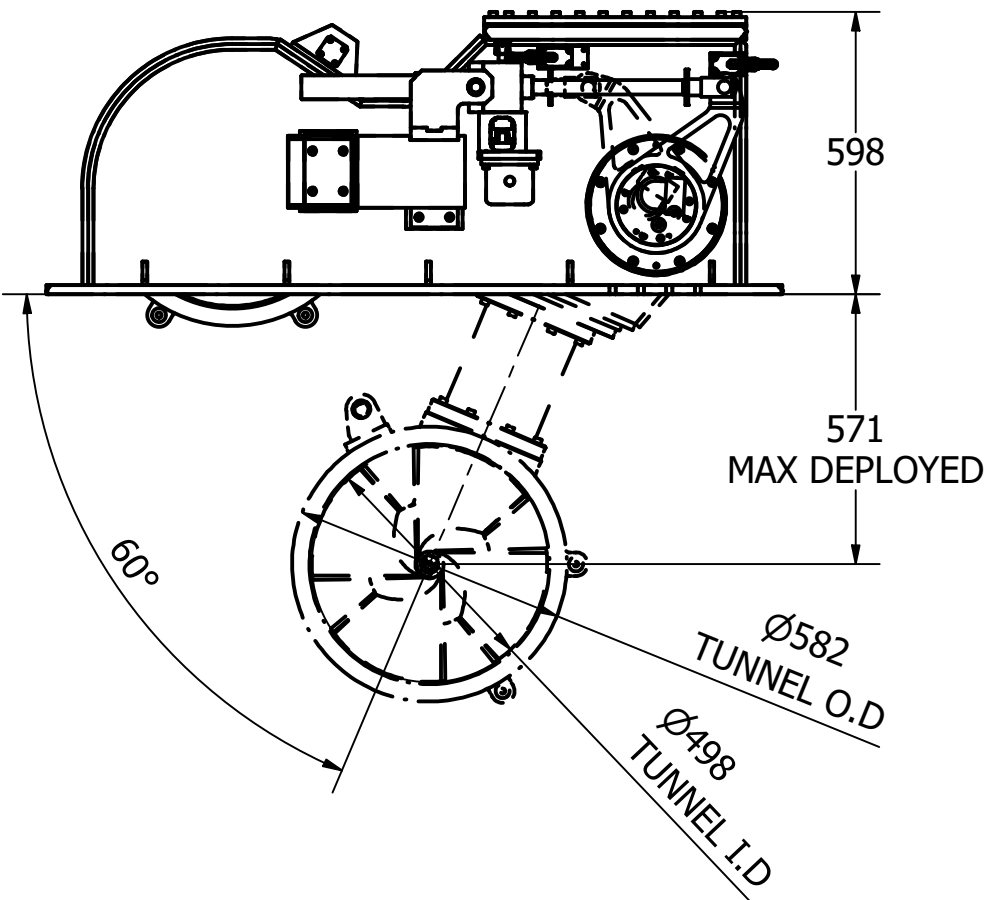
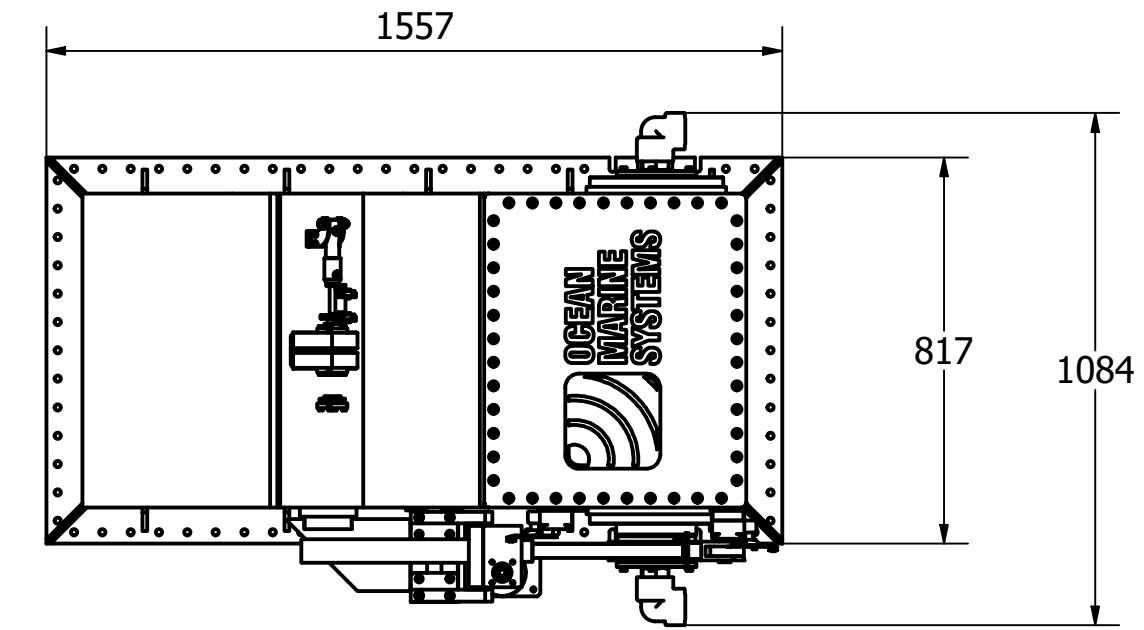




ITEM	QTY	DESCRIPTION
1	1	POD ASSEMBLY
2	1	OUTER BOX ASSEMBLY
3	1	SWING BOX ASSEMBLY
4	1	TUNNEL ASSEMBLY
5	1	LIFTING MECHANISM
6	1	PROPELLER CASTING
7	1	PROPELLER CASTING

Note:  
 • Swing mechanism and hydraulic hose points can be mounted either side of the outer box assembly

NOMINAL PROP DIA	500mm
POWER RANGE	63-99Kw (85-133hp)
MIN / MAX THRUST	756-1188kgf (1667-2619lbf)
WEIGHT APPROXIMATELY	562kg (1239lb)
STANDARD PRESSURE	305 BAR
NOMINAL FLOW	265 L/min



 <p>Tel: +44 (0)1202 596630 www.oceanmarinesystems.co.uk</p>	Title <b>SWING THRUSTER - HYDRAULIC</b>		Revision <b>1</b>	Dimensions in millimeters & degrees Gen. Tolerance ± 0.2 Gen. Finish 3.2 ✓  <i>If in doubt ask!</i>													
	Drawing No. <b>H-0500-S</b>	Material	Finish		<table border="1"> <tr> <td>Sheet</td> <td>Scale</td> <td>Mass</td> <td>Date Drawn</td> <td>By</td> <td>Modified Date</td> <td>By</td> </tr> <tr> <td>1 of 1</td> <td>@ A3</td> <td>N/A</td> <td>10/03/2020</td> <td>JG</td> <td>26/01/2021</td> <td>BW</td> </tr> </table>	Sheet	Scale	Mass	Date Drawn	By	Modified Date	By	1 of 1	@ A3	N/A	10/03/2020	JG
Sheet	Scale	Mass	Date Drawn	By		Modified Date	By										
1 of 1	@ A3	N/A	10/03/2020	JG	26/01/2021	BW											
© Copyright. All rights to this drawing and design are the sole property of Ocean Marine Systems Ltd. This drawing must not be copied, communicated or loaned to any third party without the written consent of Ocean Marine Systems Ltd.																	