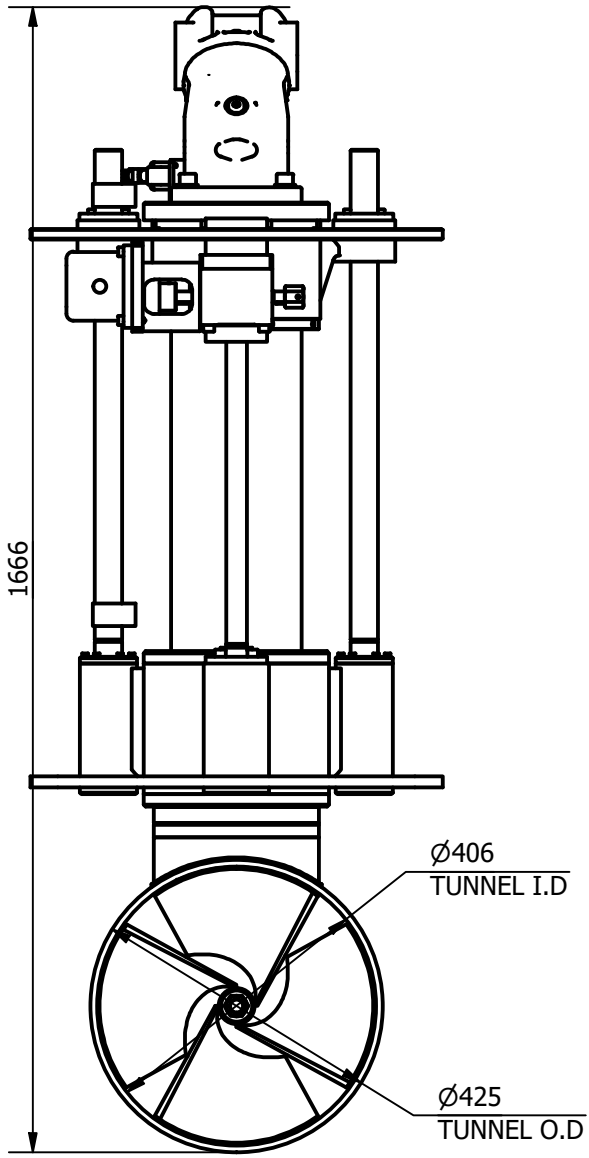
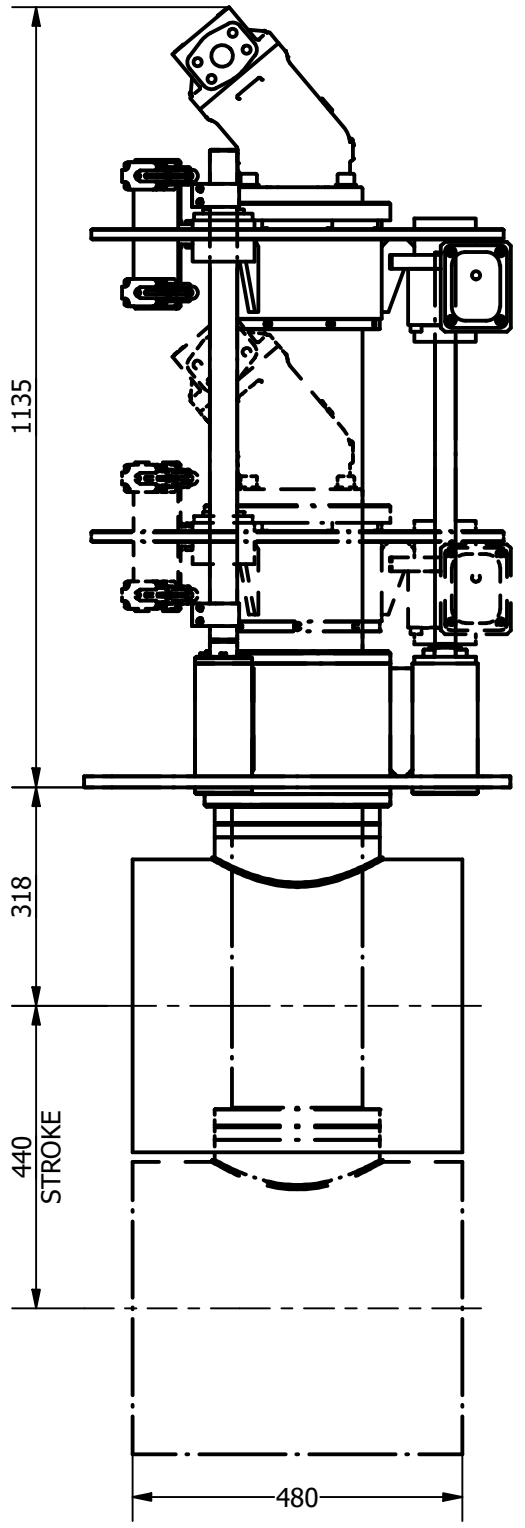
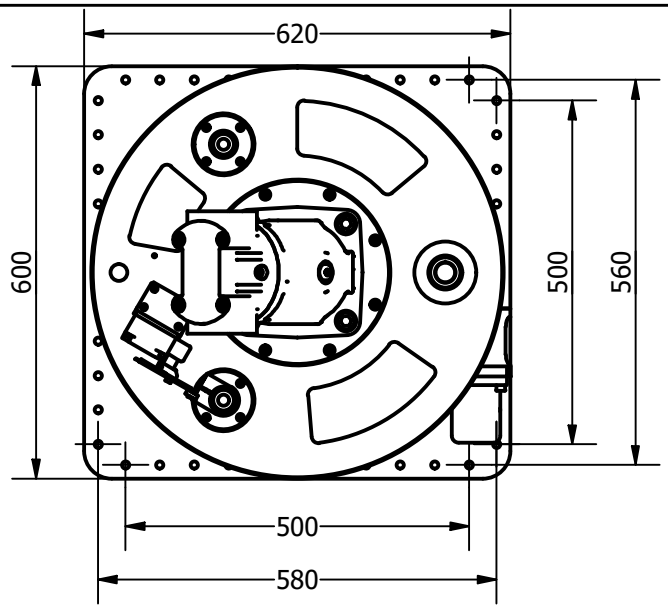
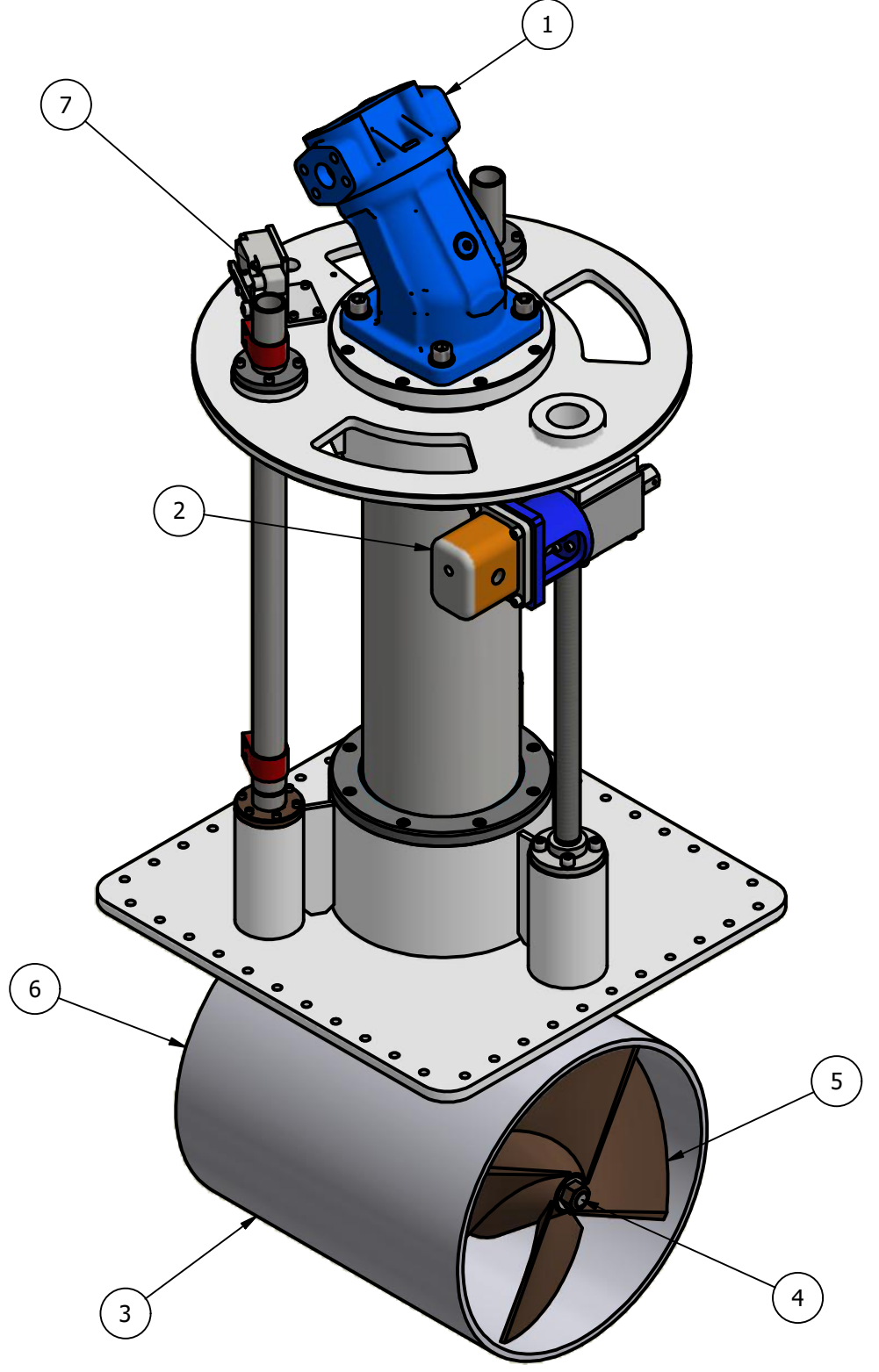


ITEM	QTY	DESCRIPTION
1	1	HYDRAULIC MAIN DRIVE MECHANISM
2	1	HYDRAULIC LIFT MECHANISM
3	1	TUNNEL ASSEMBLY
4	1	POD ASSEMBLY
5	1	PROPELLER 1
6	1	PROPELLER 2
7	2	PROXIMITY SENSOR



NOMINAL PROP DIA	400mm
POWER RANGE	36-63Kw (48-85hp)
MIN / MAX THRUST	432-756kgf (952-1667lbf)
WEIGHT APPROXIMATELY	252kg (557lb)
STANDARD PRESSURE	250 Bar
NOMINAL FLOW	168 L/min



Title				Revision		Dimensions in millimeters & degrees		
VERTICAL RETRACT THRUSTER - HYDRAULIC				2		Gen. Tolerance ± 0.2		
Drawing No. H-0400-V				Material		Gen. Finish 3.2		
Sheet 1 of 1		Scale NTS @ A3	Mass N/A	Date Drawn 05/03/2020	By CR	Modified Date	By	Grade A
Cert. Y		Insp. III	Grade A	If in doubt ask!				