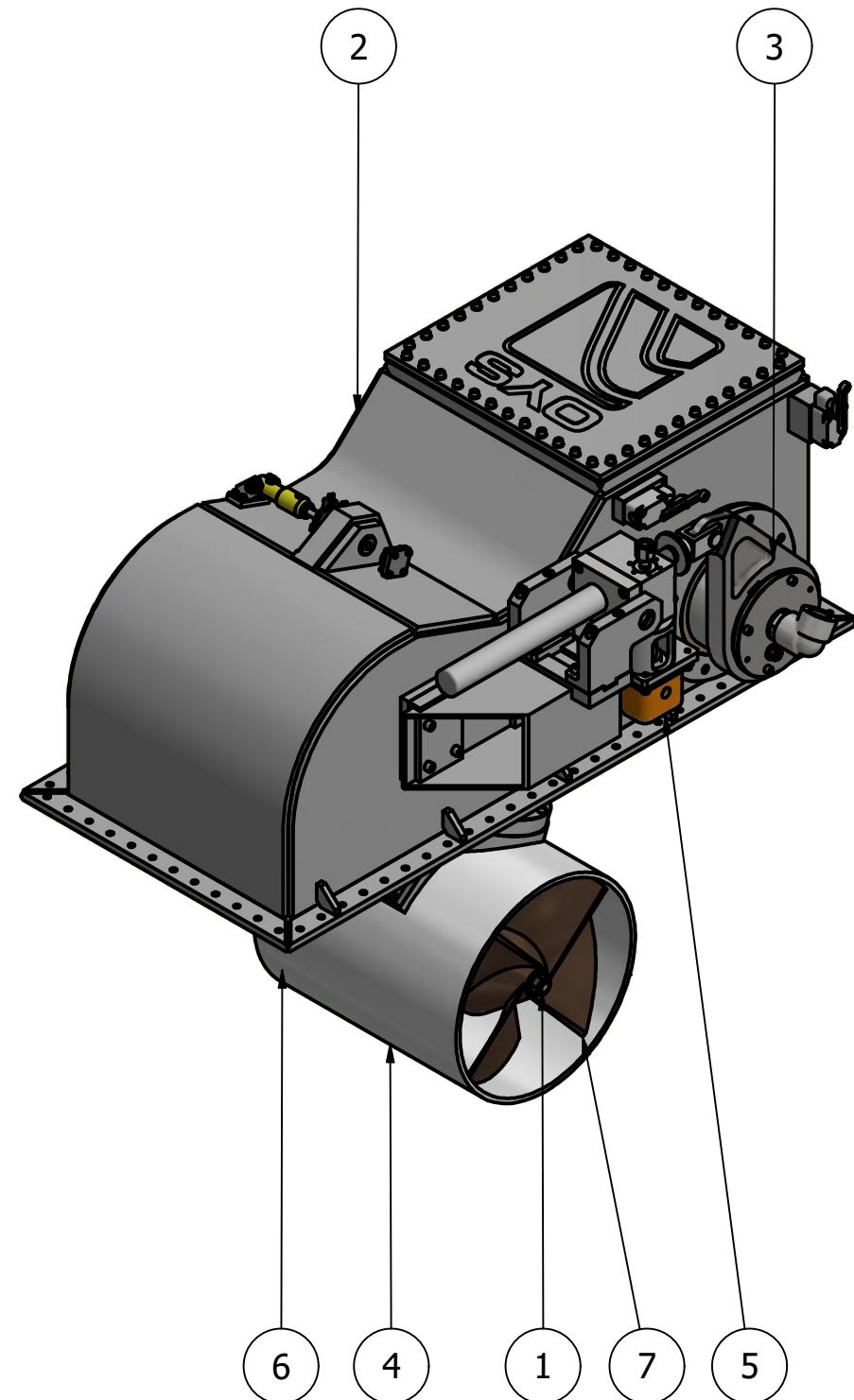
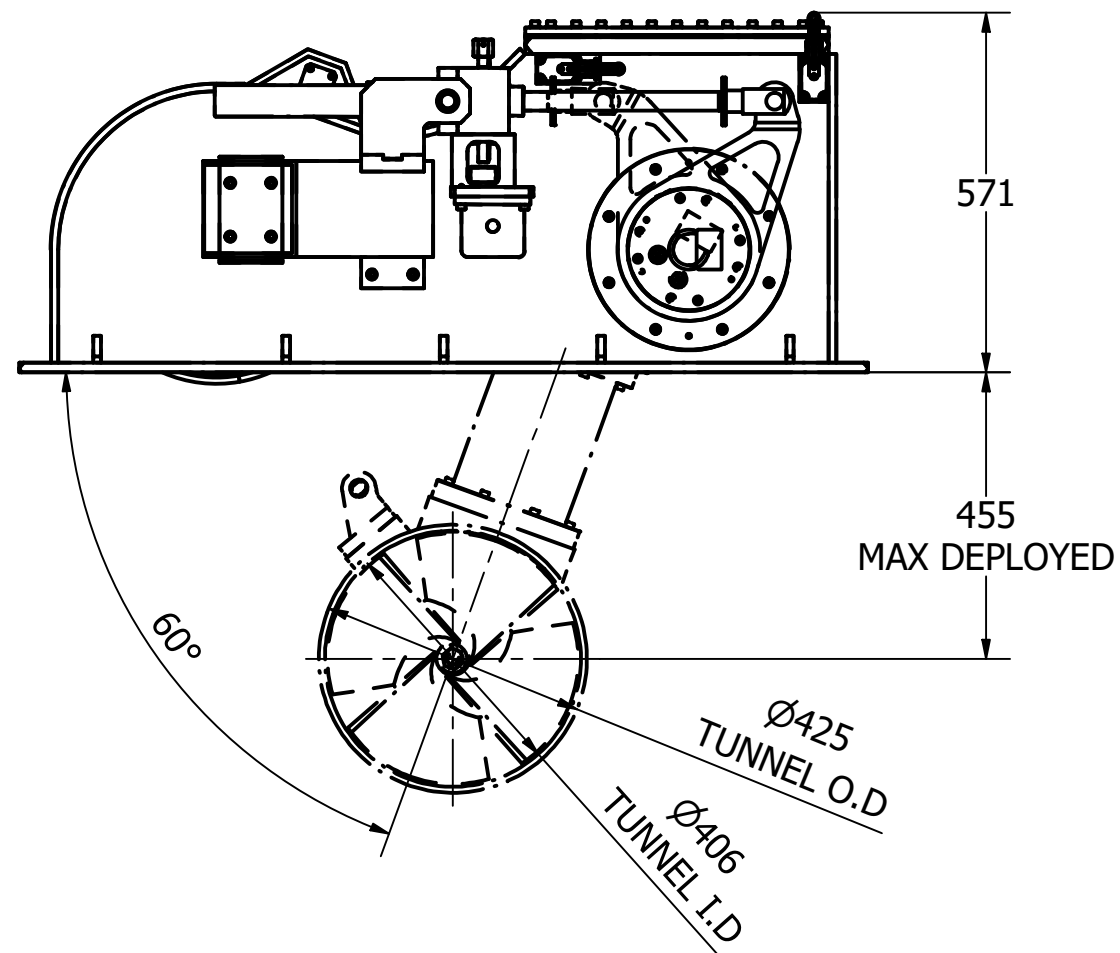
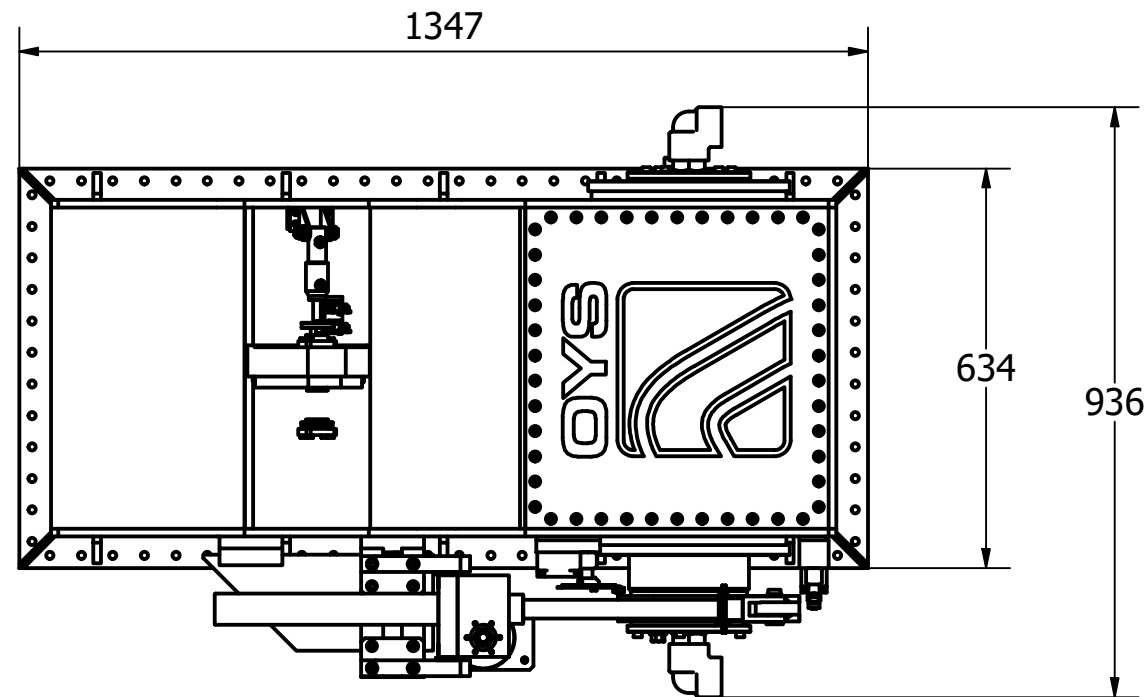



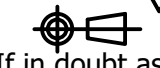
ITEM	QTY	DESCRIPTION
1	1	POD ASSEMBLY
2	1	OUTER BOX ASSEMBLY
3	1	SWING MECHANISM
4	1	TUNNEL ASSEMBLY
5	1	LIFTING MOTOR ASSEMBLY
6	1	PROPELLER 1
7	1	PROPELLER 2

Note:

- Swing mechanism and hydraulic hose points can be mounted either side of the outer box assembly

NOMINAL PROP DIA	400mm
POWER RANGE	36-63Kw (48-85hp)
MIN / MAX THRUST	432-756kgf (952-1667lbf)
WEIGHT APPROXIMATELY	348kg (767lb)
STANDARD PRESSURE	250 BAR
NOMINAL FLOW	168 L/min



 Tel: +44 (0)1202 596600 www.oceanyachtsystems.co.uk	Title <b>SWING THRUSTER - HYDRAULIC</b>				Revision <b>1</b>		Dimensions in millimeters & degrees		
	Drawing No. <b>H-0400-S</b>		Material		Finish		Gen. Tolerance ± 0.2 Gen. Finish 3.2		
Sheet 1 of 1	Scale NTS @ A3	Mass N/A	Date Drawn 05/03/2020	By JG	Modified Date	By	 <b>If in doubt ask!</b>		
							Cert.	Insp.	Grade