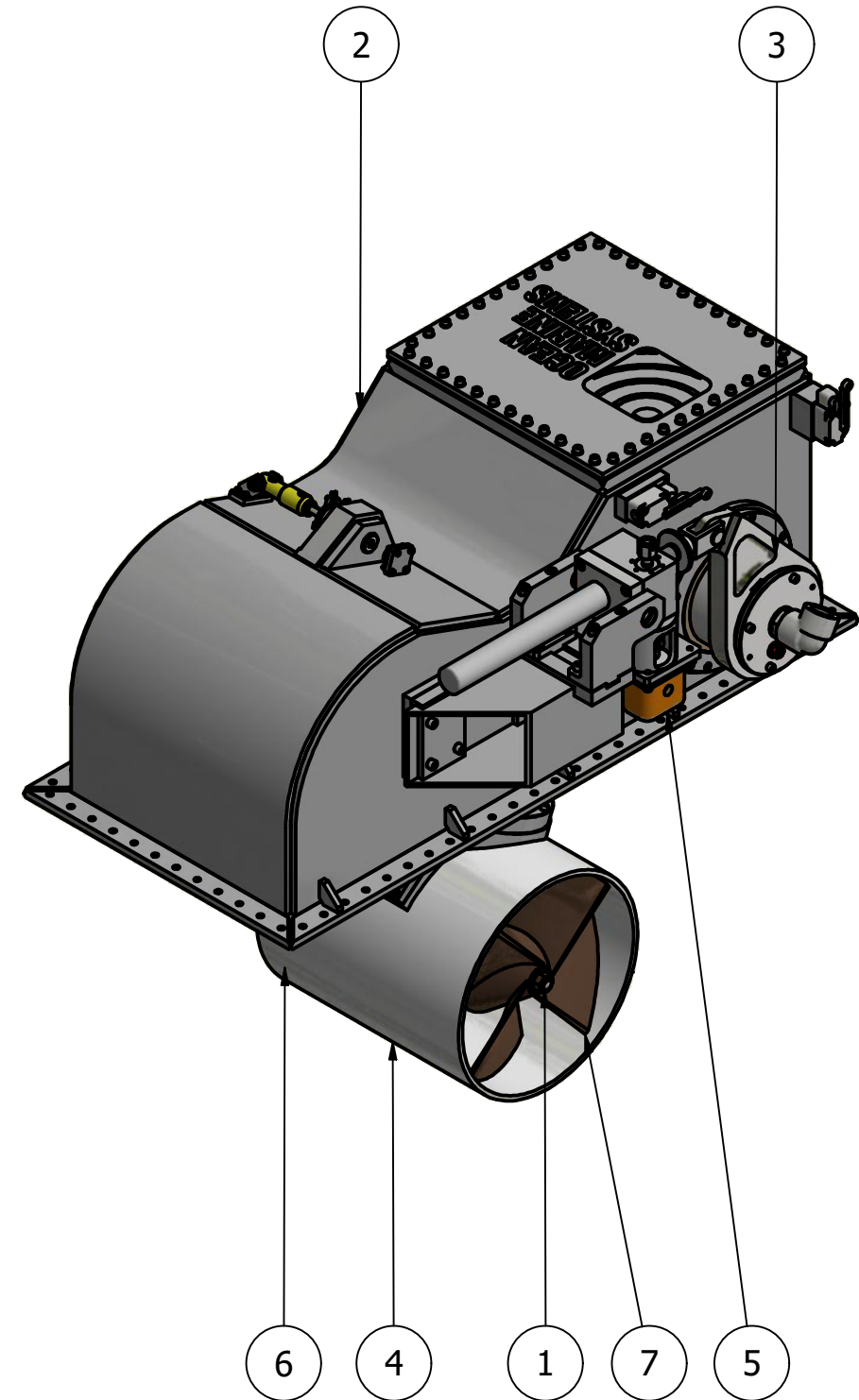
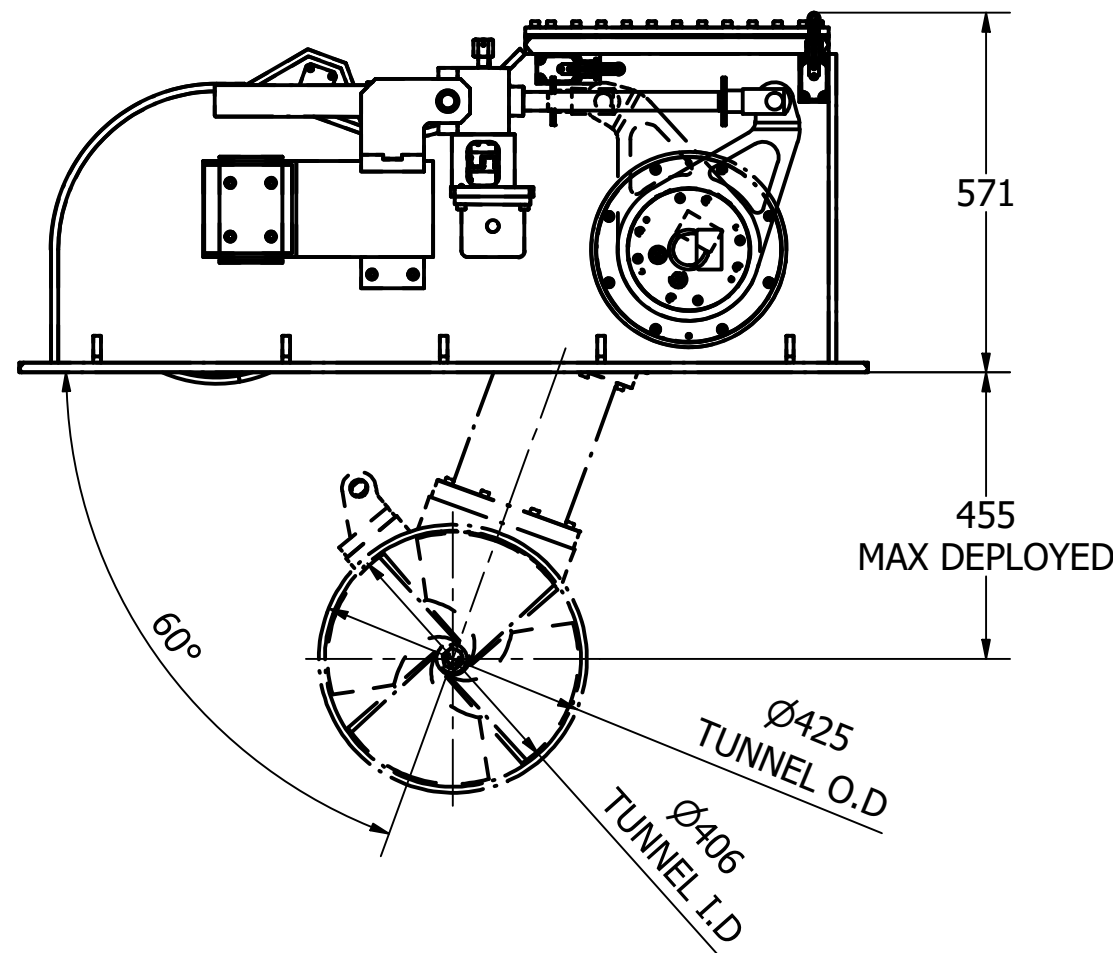
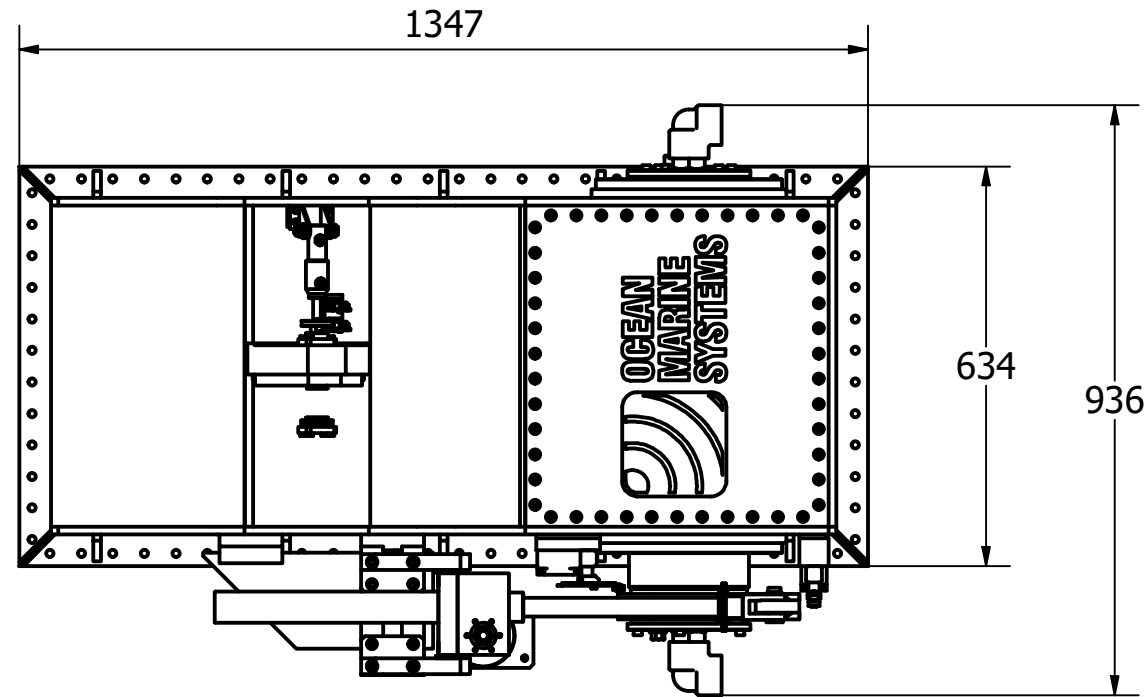




ITEM	QTY	DESCRIPTION
1	1	POD ASSEMBLY
2	1	OUTER BOX ASSEMBLY
3	1	SWING MECHANISM
4	1	TUNNEL ASSEMBLY
5	1	LIFTING MOTOR ASSEMBLY
6	1	PROPELLER 1
7	1	PROPELLER 2

Note:

- Swing mechanism and hydraulic hose points can be mounted either side of the outer box assembly

NOMINAL PROP DIA	400mm
POWER RANGE	36-63Kw (48-85hp)
MIN / MAX THRUST	432-756kgf (952-1667lbf)
WEIGHT APPROXIMATELY	348kg (767lb)
STANDARD PRESSURE	250 BAR
NOMINAL FLOW	168 L/min



 <p>Tel: +44 (0)1202 596630 www.oceanmarinesystems.co.uk</p>	Title <b>SWING THRUSTER - HYDRAULIC</b>		Revision <b>1</b>	Dimensions in millimeters & degrees Gen. Tolerance ± 0.2 Gen. Finish 3.2 ✓  <i>If in doubt ask!</i>
	Drawing No. <b>H-0400-S</b>	Material	Finish	
Sheet 1 of 1	Scale NTS @ A3	Mass N/A	Date Drawn 05/03/2020	By JG
			Modified Date	By
			Cert.	Insp.
				Grade