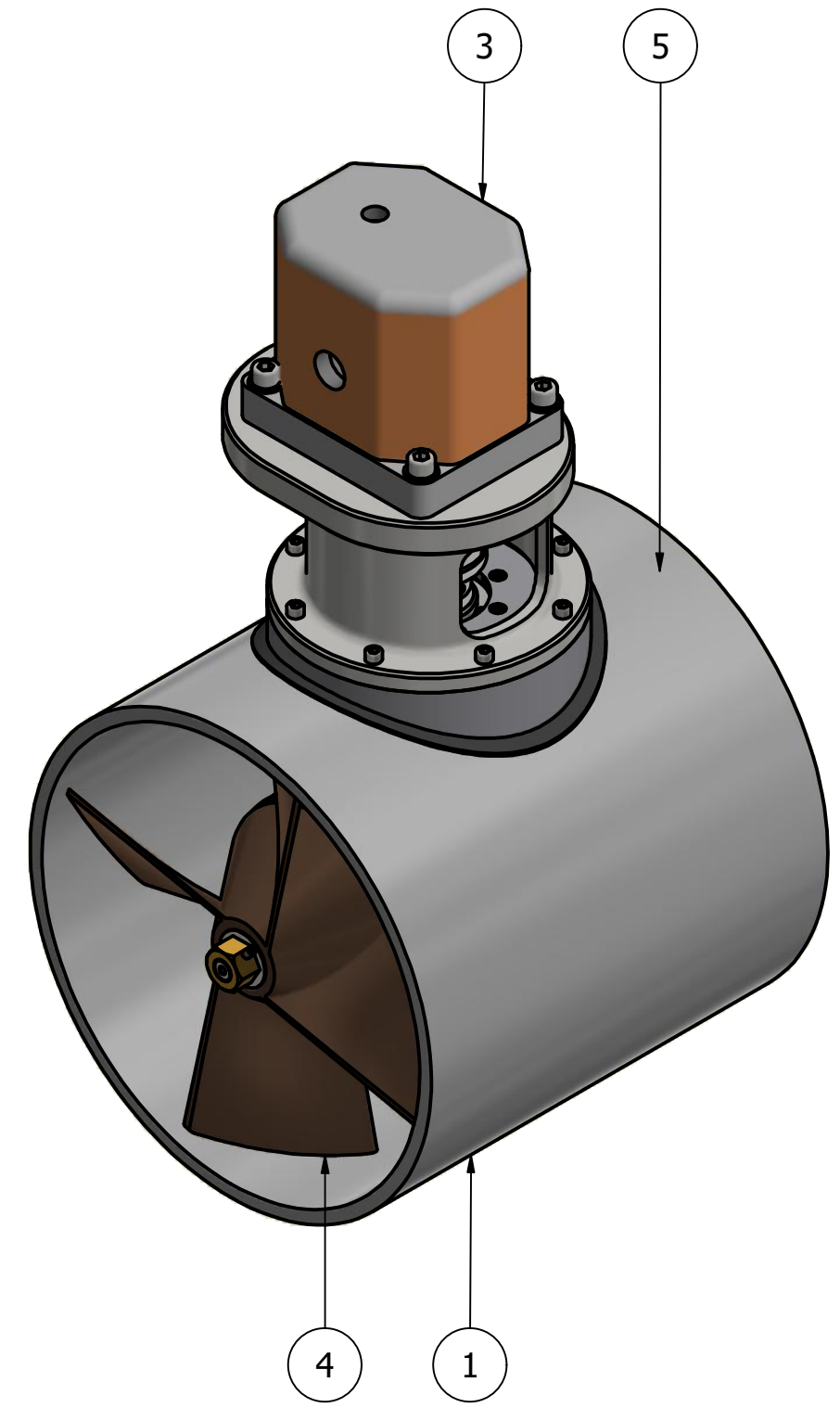
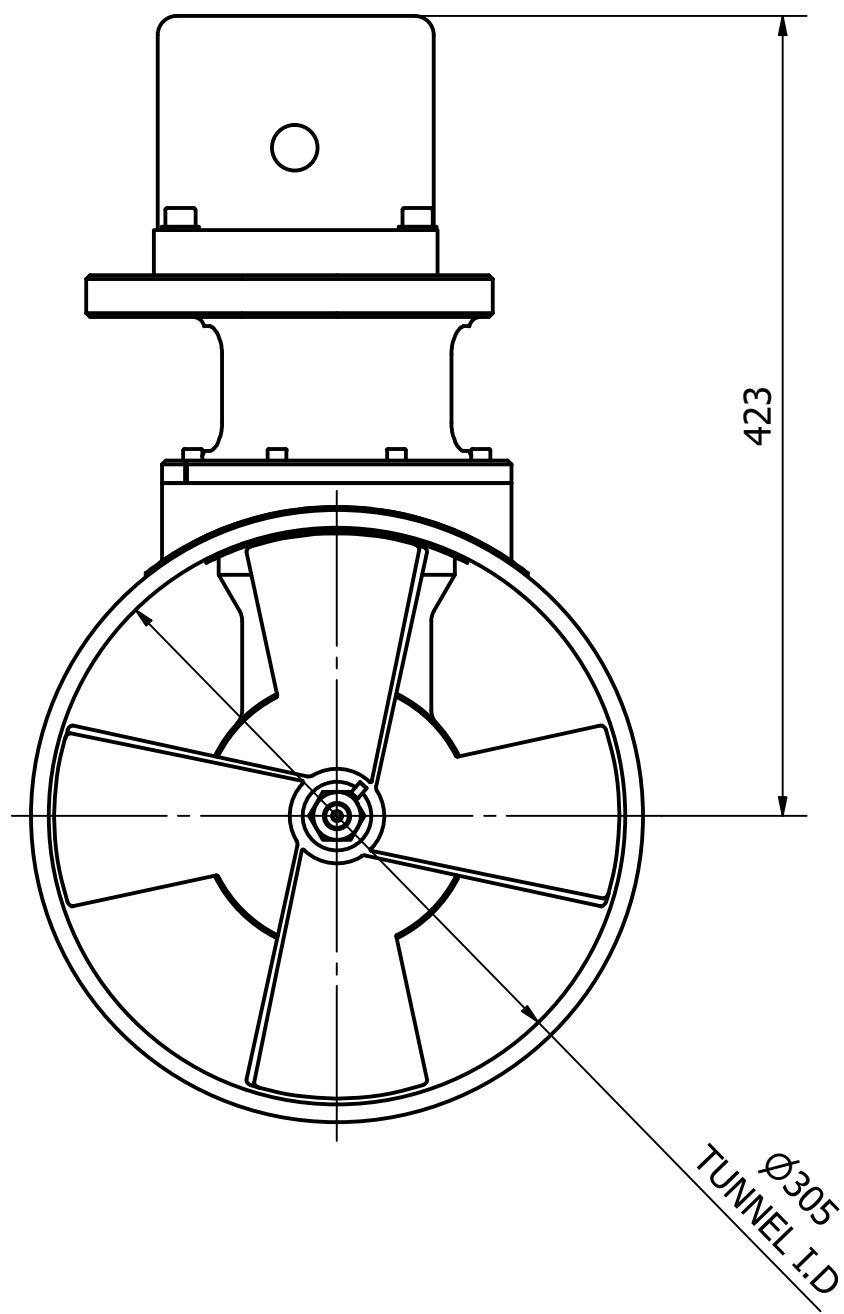
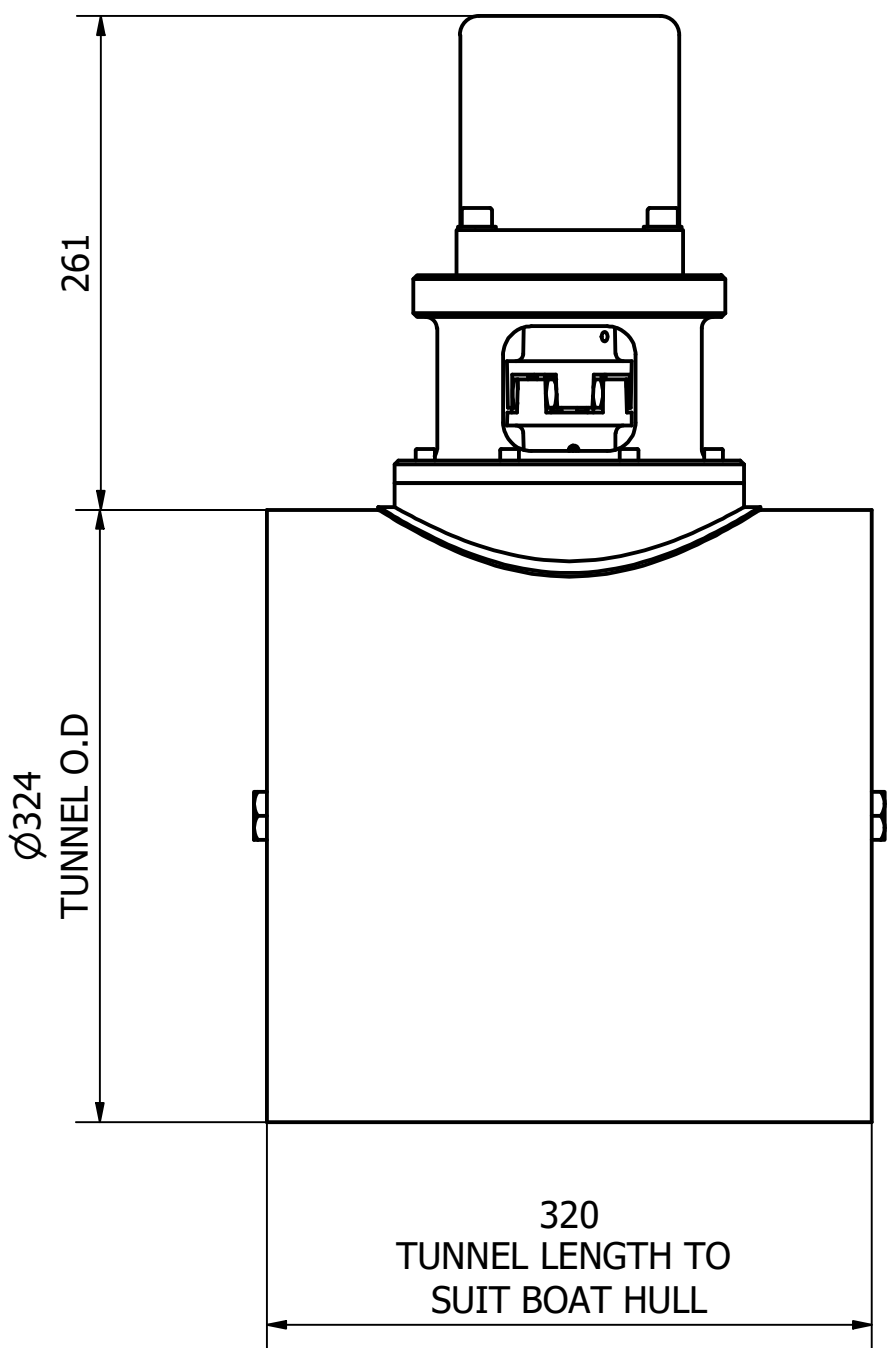




ITEM	QTY	PART NUMBER
1	1	TUNNEL ASSEMBLY
2	1	POD ASSEMBLY
3	1	MOTOR ASSEMBLY
4	1	PROPELLER 1
5	1	PROPELLER 1

NOMINAL PROP DIA	300mm
POWER RANGE	25-36Kw (34-48hp)
MIN / MAX THRUST	300-432kgf (661-952lbf)
WEIGHT APPROXIMATELY (EXCL TUNNEL)	47kg (104lb)
STANDARD PRESSURE	250 BAR
NOMINAL FLOW	98 L/min



 Tel: +44 (0)1202 596600 www.oceanyachtsystems.co.uk	Title <b>TUNNEL THRUSTER - HYDRAULIC</b>				Revision <b>1</b>		Dimensions in millimeters & degrees		
	Drawing No. <b>H-0300-T</b>		Material		Finish		Gen. Tolerance ± 0.2 Gen. Finish 3.2 ✓		
Sheet 1 of 1	Scale NTS @ A3	Mass N/A	Date Drawn 03/03/2020	By JG	Modified Date	By	 <b>If in doubt ask!</b>		
							Cert.	Insp.	Grade