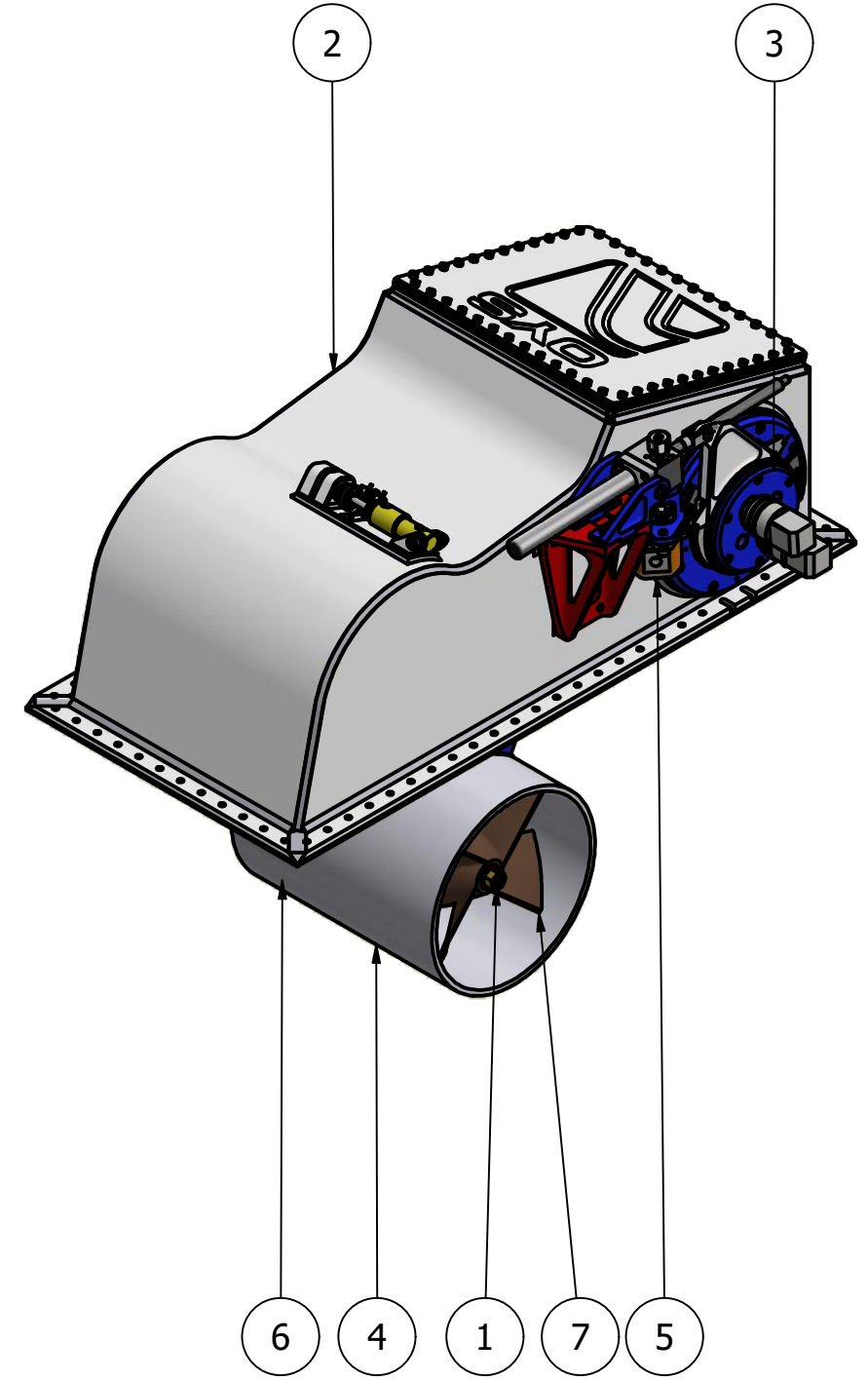
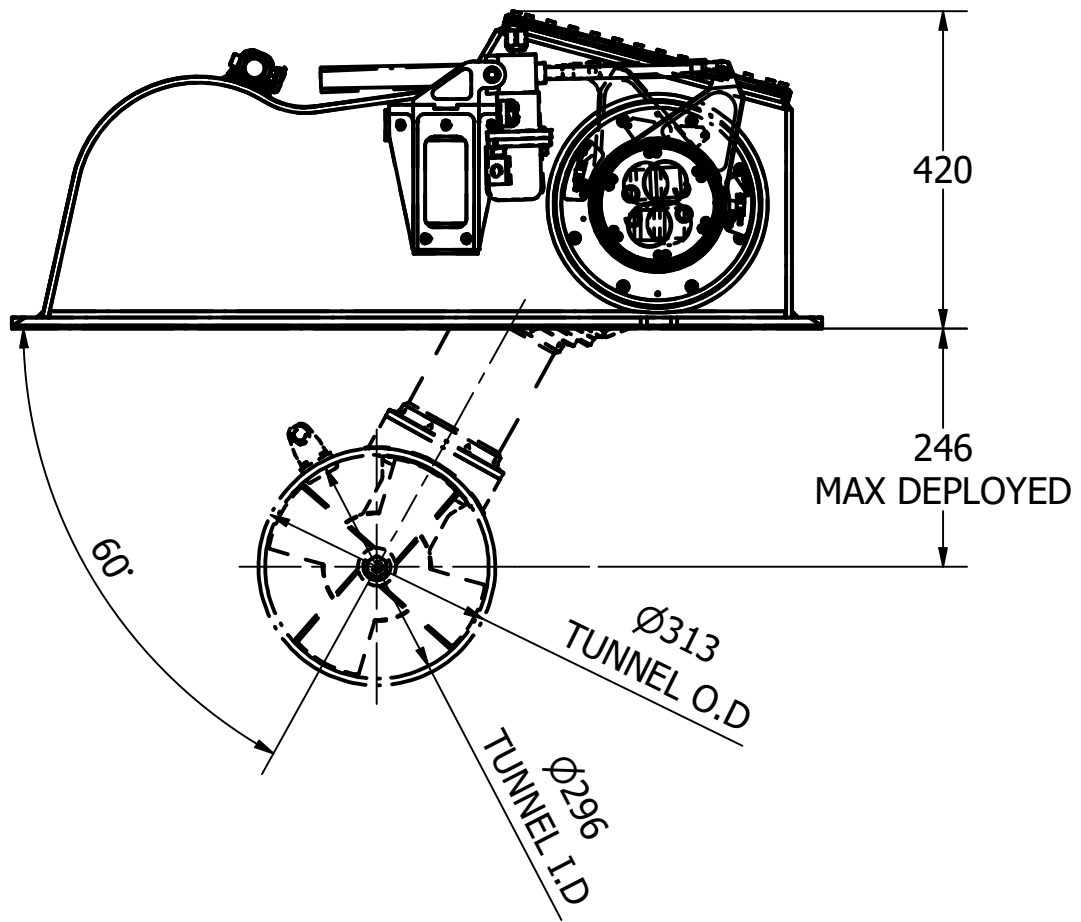
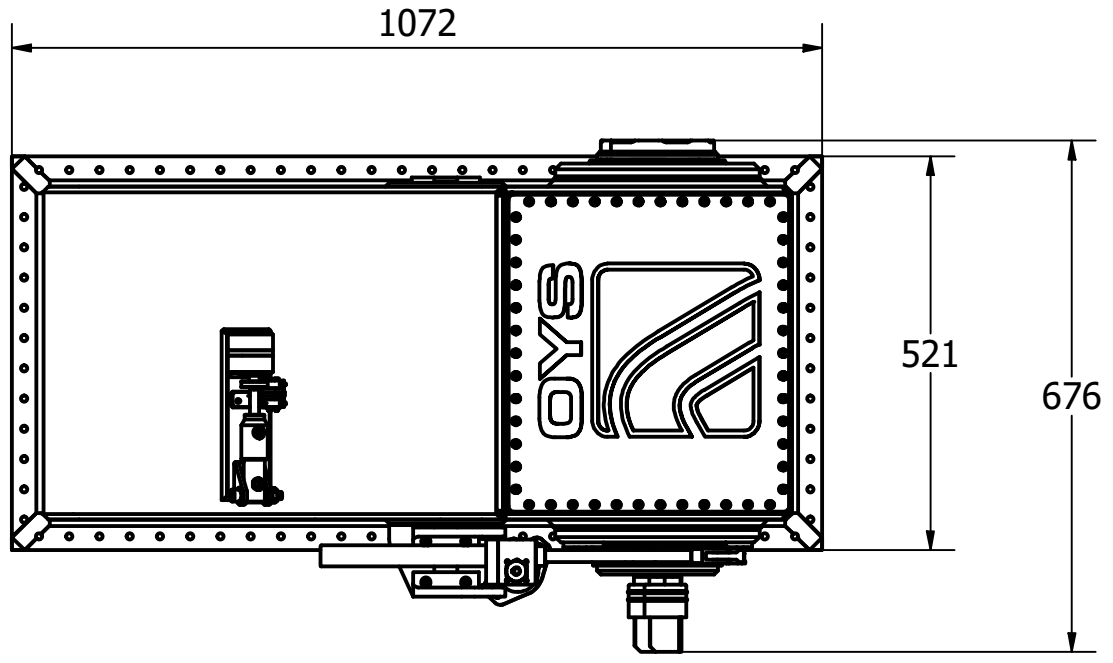




ITEM	QTY	DESCRIPTION
1	1	POD ASSEMBLY
2	1	OUTER BOX ASSEMBLY
3	1	SWING MECHANISM
4	1	TUNNEL ASSEMBLY
5	1	LIFT MOTOR ASSEMBLY
6	1	PROPELLER 1
7	1	PROPELLER 2

Note:
 • Swing mechanism and hydraulic hose points can be mounted either side of the outer box assembly

NOMINAL PROP DIA	300mm
POWER RANGE	25-36Kw (34-48hp)
MIN / MAX THRUST	300-432kgf (661-952lbf)
WEIGHT APPROXIMATELY	129kg (284lb)
STANDARD PRESSURE	250 BAR
NOMINAL FLOW	98 L/min



 Tel: +44 (0)1202 596600 www.oceanyachtsystems.co.uk	Title				Revision		Dimensions in millimeters & degrees		
	SWING THRUSTER - HYDRAULIC				1		Gen. Tolerance ± 0.2		
	Drawing No.		Material		Finish		Gen. Finish ± 3.2 ✓		
	H-0300-S						 If in doubt ask!		
Sheet	Scale	Mass	Date Drawn	By	Modified Date	By	Cert.	Insp.	Grade
1 of 1	NTS @ A3	N/A	05/03/2020	JG					