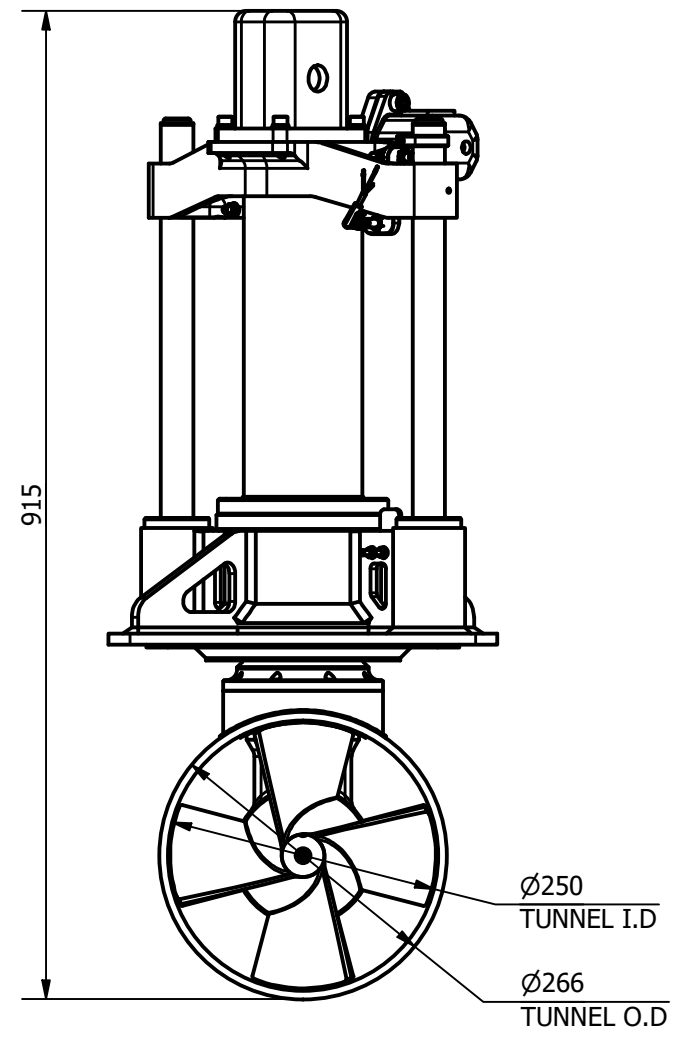
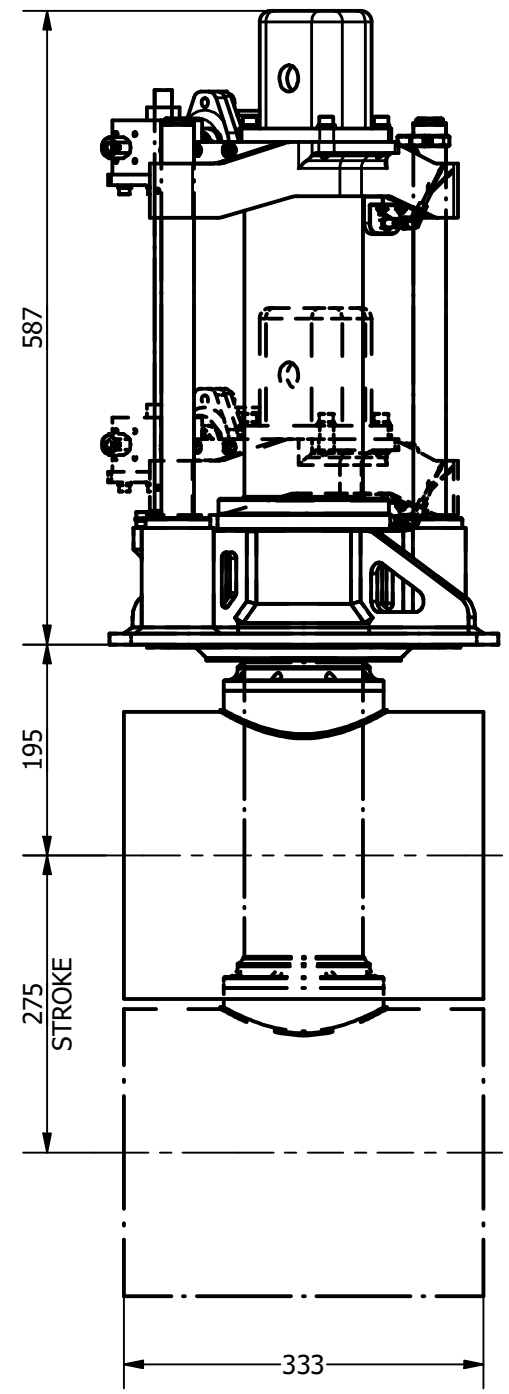
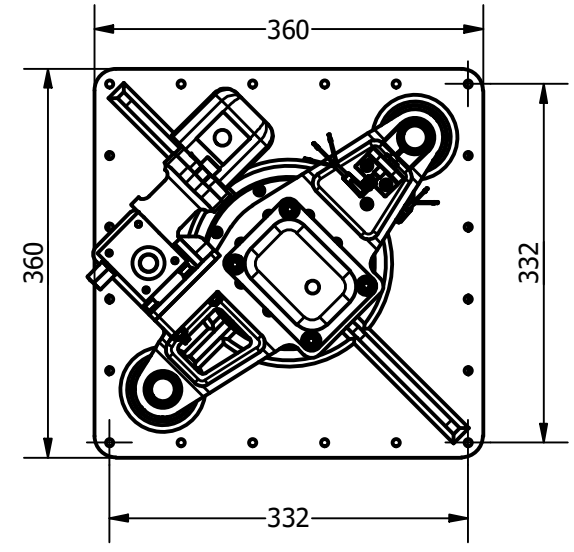
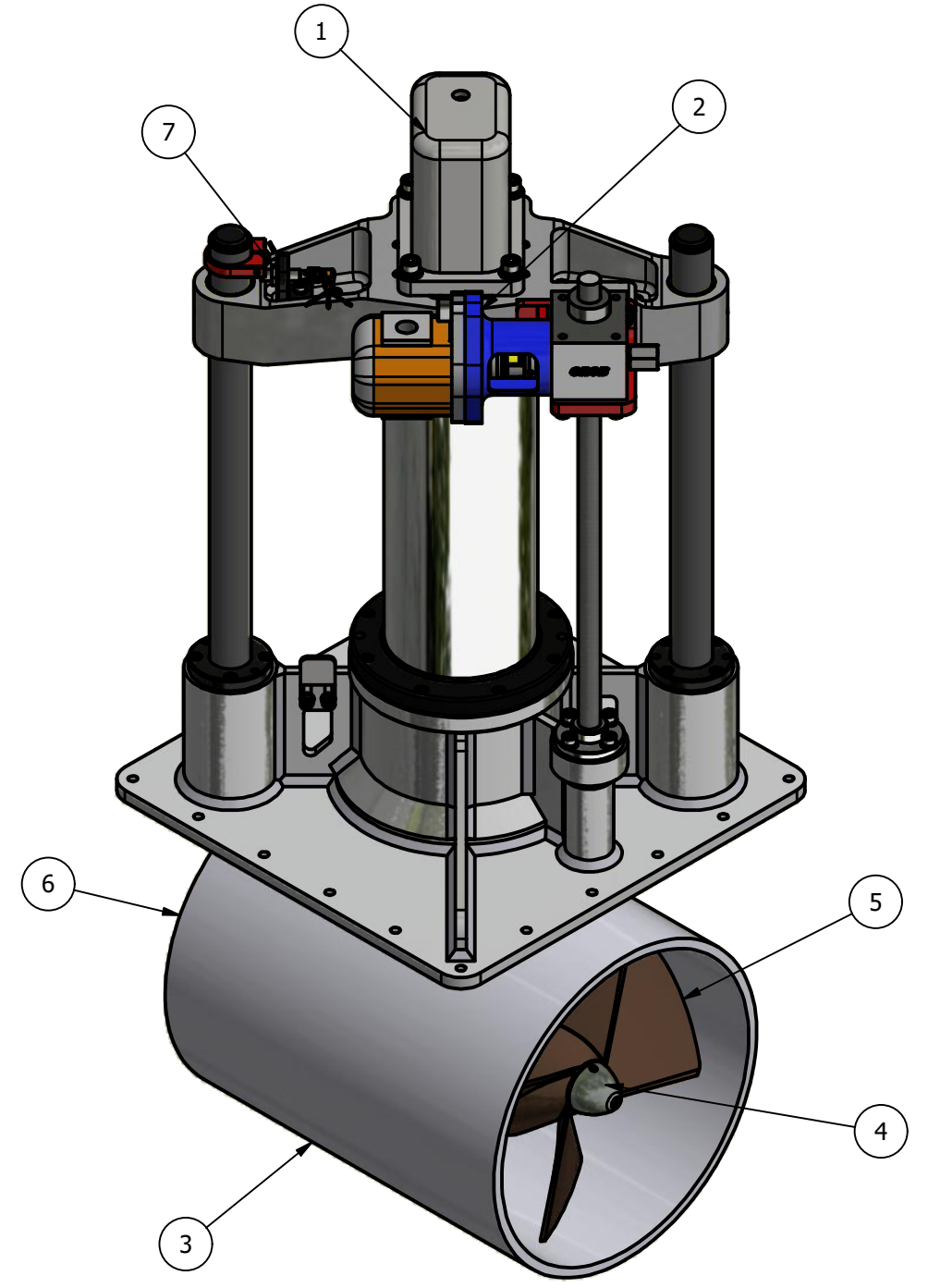

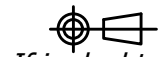


ITEM	QTY	DESCRIPTION
1	1	HYDRAULIC MAIN DRIVE MOTOR
2	1	HYDRAULIC LIFT MECHANISM
3	1	TUNNEL ASSEMBLY
4	1	POD ASSEMBLY
5	1	PROPELLER 1
6	1	PROPELLER 2
7	2	PROXIMITY SENSOR



NOMINAL PROP DIA	250mm
POWER RANGE	7.5-25Kw (10-33hp)
MIN / MAX THRUST	90-300kgf (198-661lbf)
WEIGHT APPROXIMATELY	54kg (120lb)
STANDARD PRESSURE	250 Bar
NOMINAL FLOW	68 L/min



	Title VERTICAL RETRACT THRUSTER - HYDRAULIC				Revision 2		Dimensions in millimeters & degrees			
	Drawing No. H-0250-V		Material		Finish		Gen. Tolerance ± 0.2 Gen. Finish 3.2			
Tel: +44 (0)1202 596630 www.oceanmarinesystems.co.uk		Sheet 1 of 1	Scale NTS @ A3	Mass N/A	Date Drawn 05/03/2020	By CR	Modified Date	By	 <i>If in doubt ask!</i>	
								Cert. Y	Insp. III	Grade A