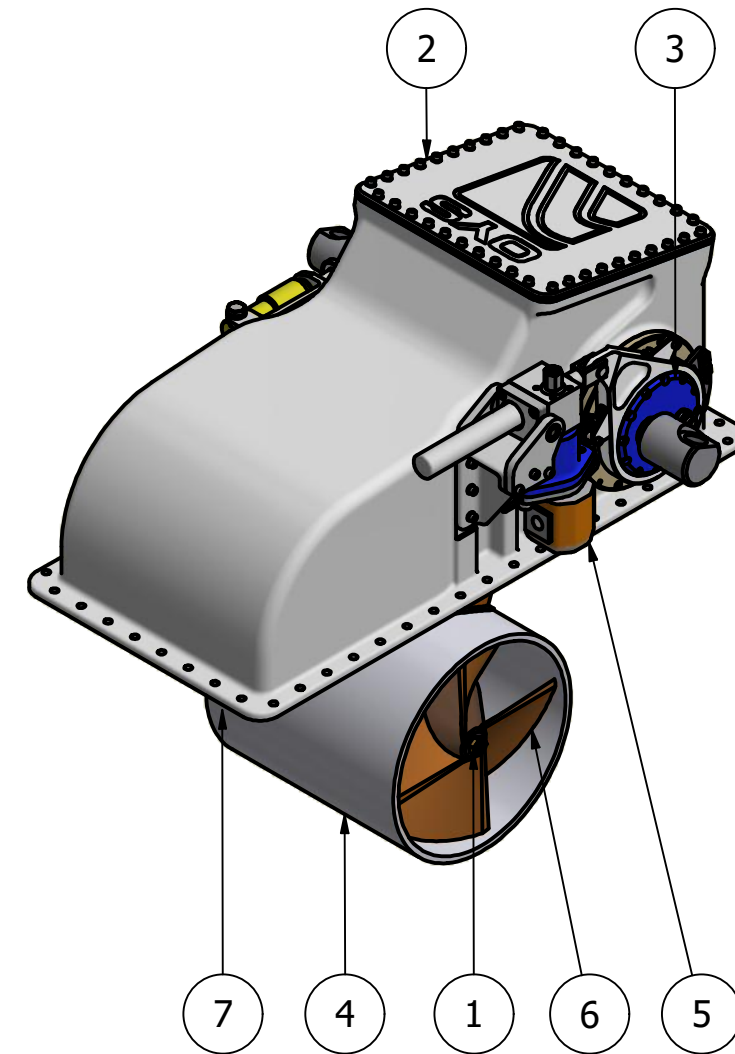
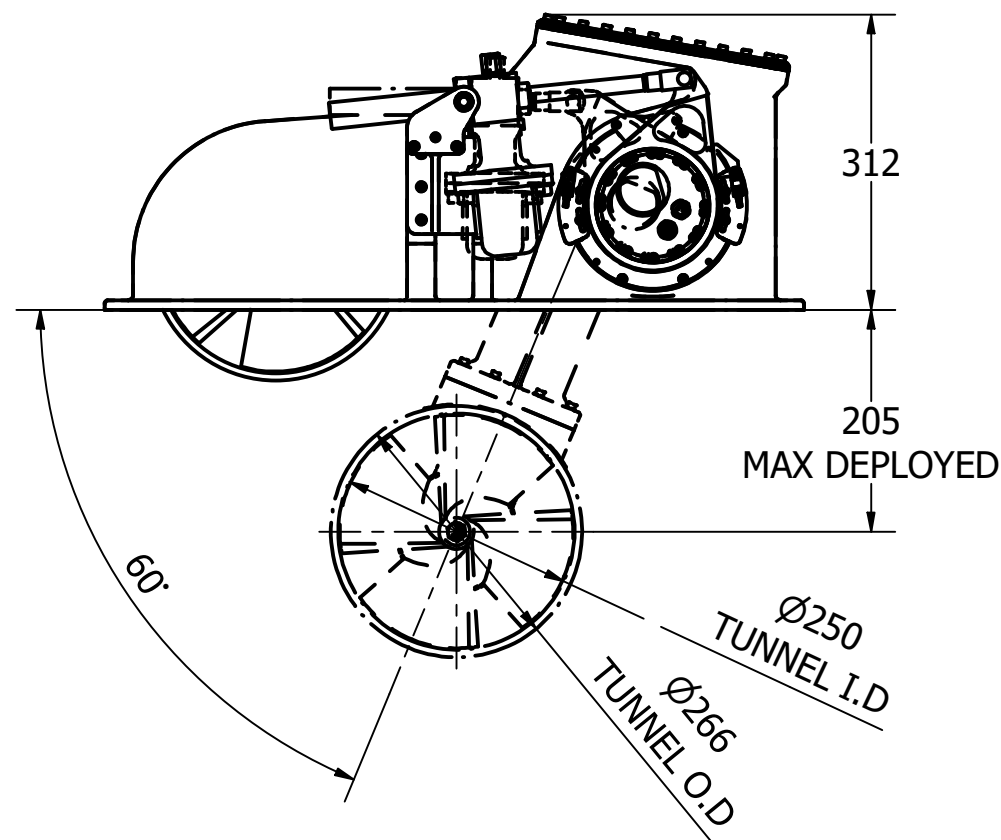
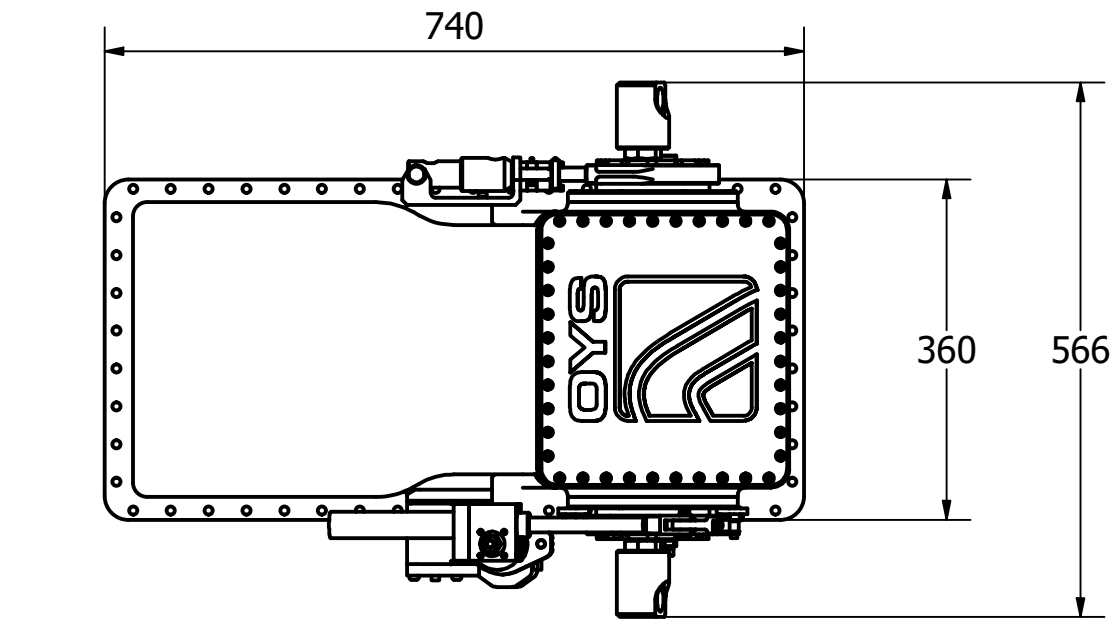




ITEM	QTY	DESCRIPTION
1	1	POD ASSEMBLY
2	1	OUTER BOX ASSEMBLY
3	1	SWING BOX ASSEMBLY
4	1	TUNNEL ASSEMBLY
5	1	LIFTING MOTOR ASSEMBLY
6	1	PROPELLER 1
7	1	PROPELLER 2

Note:

- Swing mechanism and hydraulic hose points can be mounted either side of the outer box assembly

NOMINAL PROP DIA	250mm
POWER RANGE	7.5-25kw (10-34hp)
MIN / MAX THRUST	92-300kgf (200-661 lbf)
WEIGHT APPROXIMATELY	68kg (150lb)
STANDARD PRESSURE	250 BAR
NOMINAL FLOW	68 L/min



 Tel: +44 (0)1202 596600 www.oceanyachtsystems.co.uk	Title <b>SWING THRUSTER - HYDRAULIC</b>		Revision <b>1</b>	Dimensions in millimeters & degrees Gen. Tolerance ± 0.2 Gen. Finish 3.2 ✓  <b>If in doubt ask!</b>		
	Drawing No. <b>H-0250-S</b>	Material	Finish		<table border="1"> <tr> <td>Cert.</td> <td>Insp.</td> <td>Grade</td> </tr> </table>	Cert.
Cert.	Insp.	Grade				
Sheet 1 of 1	Scale NTS @ A3	Mass N/A	Date Drawn 04/03/2020	By JG	Modified Date	By