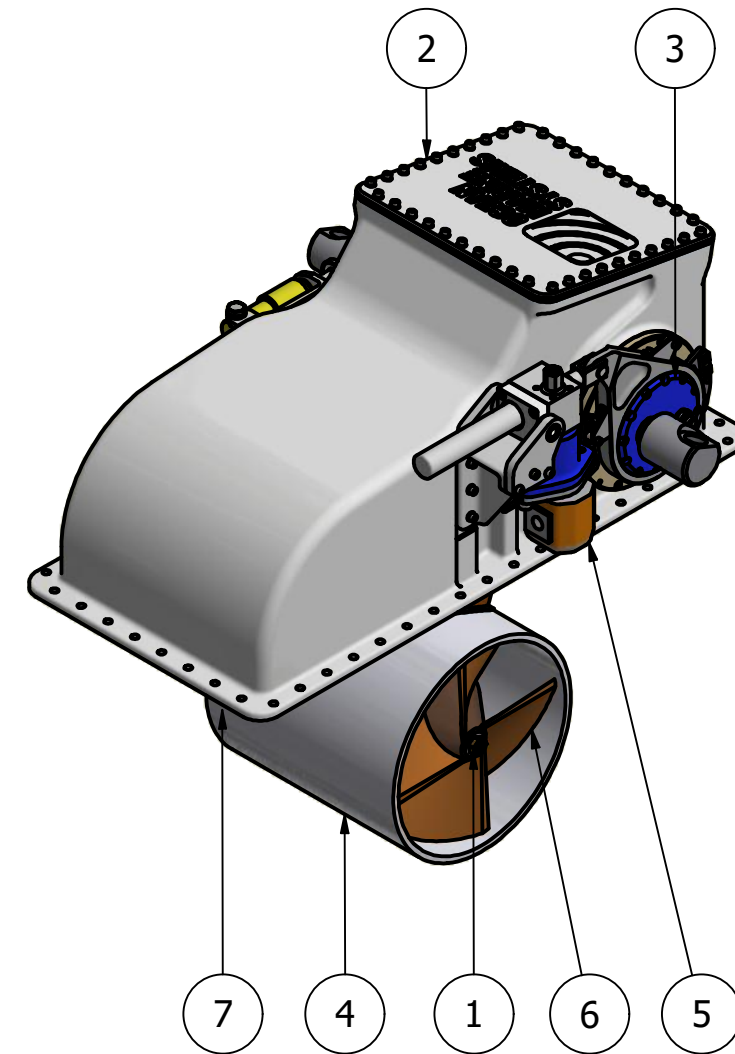
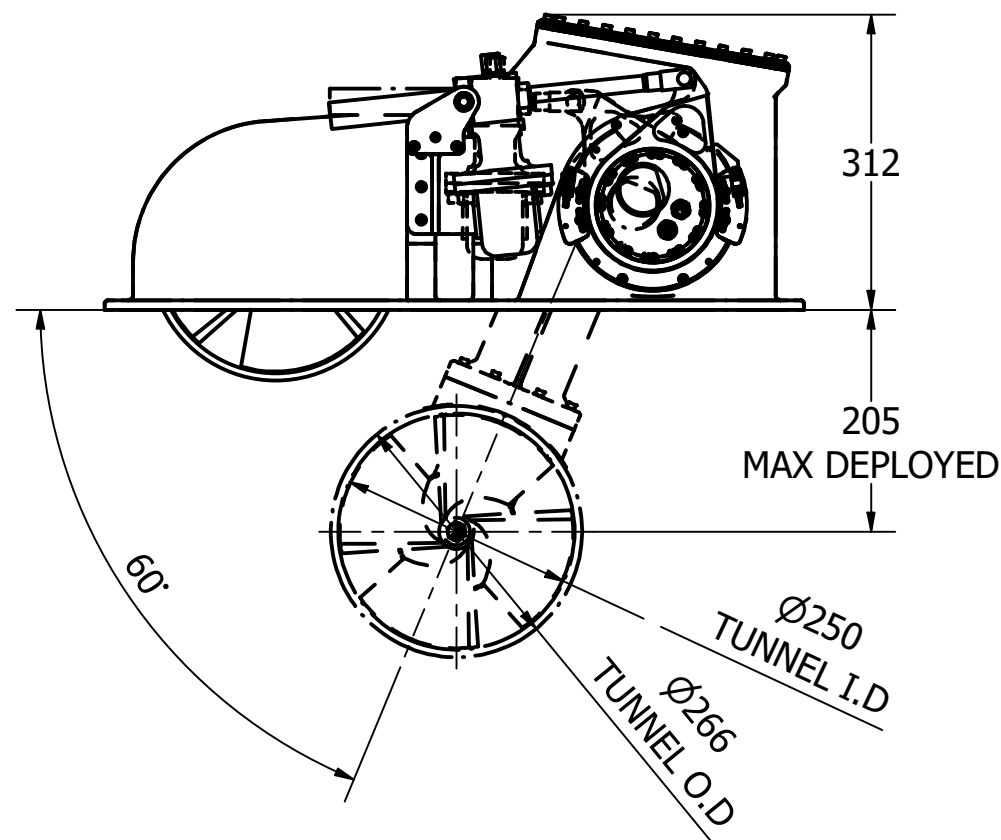
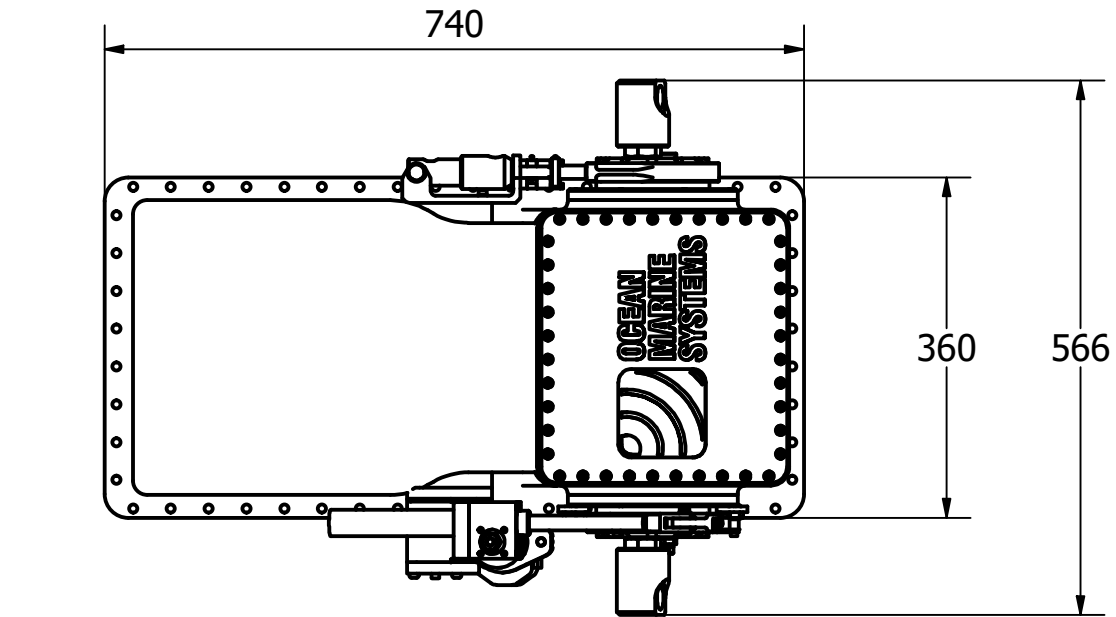




ITEM	QTY	DESCRIPTION
1	1	POD ASSEMBLY
2	1	OUTER BOX ASSEMBLY
3	1	SWING BOX ASSEMBLY
4	1	TUNNEL ASSEMBLY
5	1	LIFTING MOTOR ASSEMBLY
6	1	PROPELLER 1
7	1	PROPELLER 2

Note:

- Swing mechanism and hydraulic hose points can be mounted either side of the outer box assembly

NOMINAL PROP DIA	250mm
POWER RANGE	7.5-25kw (10-34hp)
MIN / MAX THRUST	92-300kgf (200-661 lbf)
WEIGHT APPROXIMATELY	68kg (150lb)
STANDARD PRESSURE	250 BAR
NOMINAL FLOW	68 L/min



	Title		Revision		Dimensions in millimeters & degrees														
	SWING THRUSTER - HYDRAULIC		1		Gen. Tolerance ± 0.2 Gen. Finish 3.2														
Drawing No.		Material		Finish		 <i>If in doubt ask!</i>													
H-0250-S																			
Sheet		Scale		Mass		Date Drawn		By		Modified Date		By		Cert.		Insp.		Grade	
1 of 1		NTS @ A3		N/A		04/03/2020		JG											