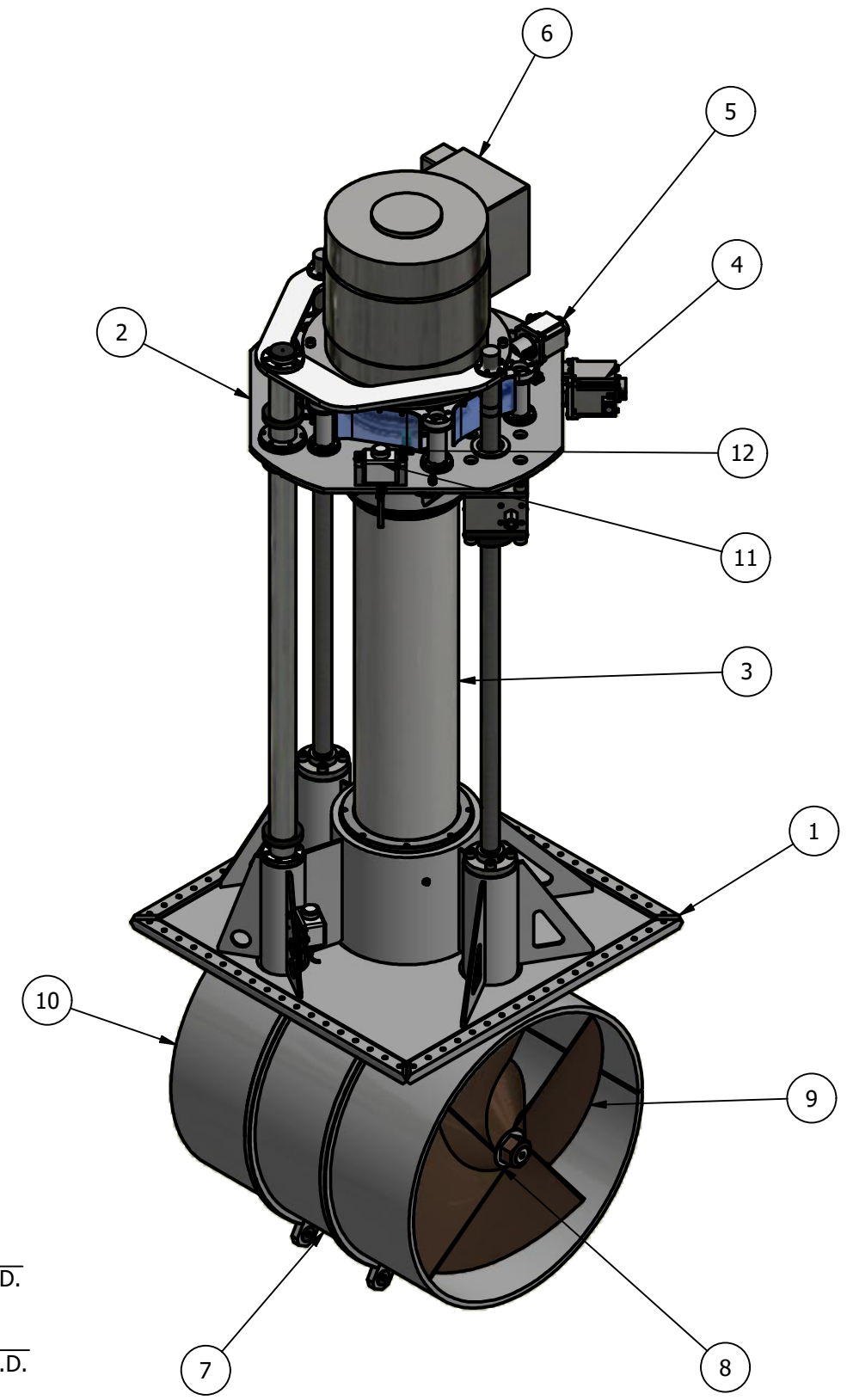
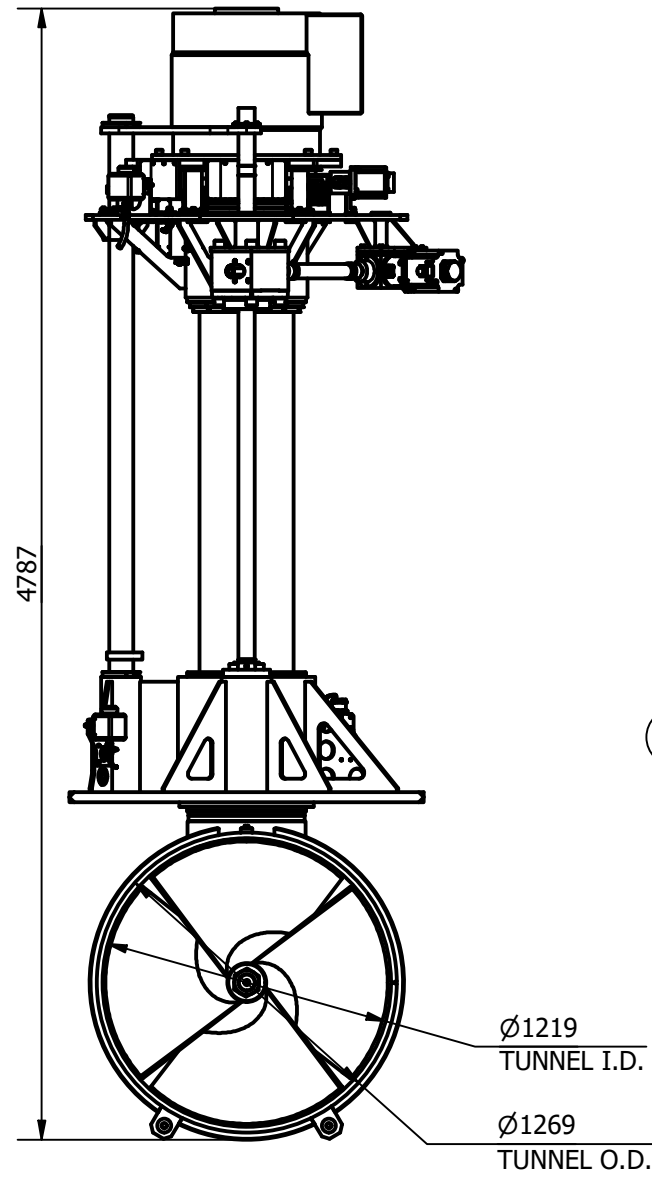
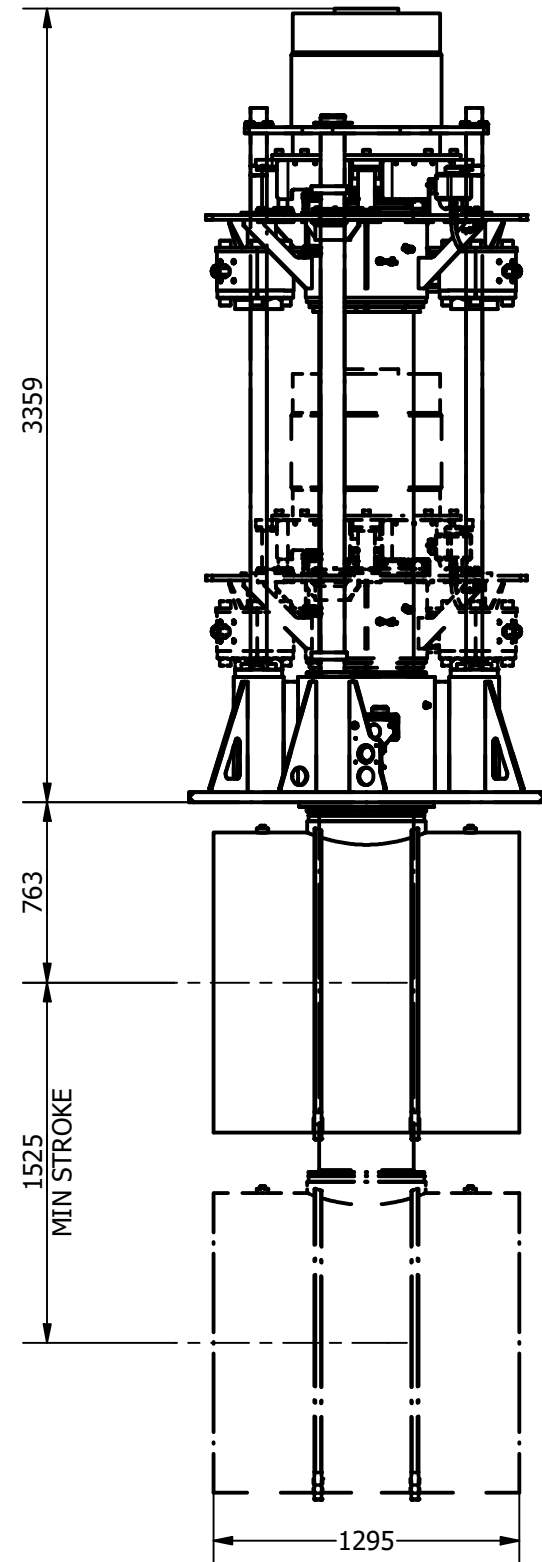
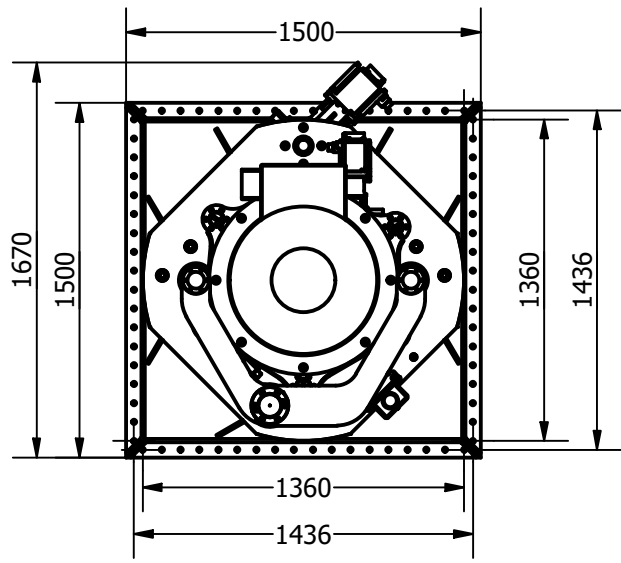

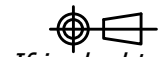


ITEM	QTY	DESCRIPTION
1	1	MOUNTING BASE ASSEMBLY
2	1	LIFT PLATE ASSEMBLY
3	1	RETRACT TUBE ASSEMBLY
4	1	LIFTING SCREW ASSEMBLY
5	1	ROTATING DRIVE ASSEMBLY
6	1	MOTOR ASSEMBLY
7	1	TUNNEL ASSEMBLY
8	1	POD ASSEMBLY
9	1	PROPELLER 1
10	1	PROPELLER 2
11	2	PROXIMITY SENSOR LIFT MECHANISM
12	1	PROXIMITY SENSOR ROTATING MECHANISM

NOMINAL PROP DIA	1200mm
POWER RANGE	393-565kw (527-758hp)
MIN / MAX THRUST	4323-6215kgf (9506-13702lbf)
WEIGHT APPROXIMATELY	3702kg (8162lb)



 <p>Tel: +44 (0)1202 596630 www.oceanmarinesystems.co.uk</p>	Title ELECTRIC ROTATING VERTICAL RETRACTING THRUSTER				Revision 1		Dimensions in millimeters & degrees Gen. Tolerance ± 0.2 Gen. Finish 3.2												
	Drawing No. E-1200-VR		Material		Finish														
Sheet 1 of 1		Scale NTS @ A3		Mass N/A		Date Drawn 13/02/2020		By CR		Modified Date 29/01/2021		By BW		Cert. Y		Insp. III		Grade A	

© Copyright. All rights to this drawing and design are the sole property of Ocean Marine Systems Ltd. This drawing must not be copied, communicated or loaned to any third party without the written consent of Ocean Marine Systems Ltd.