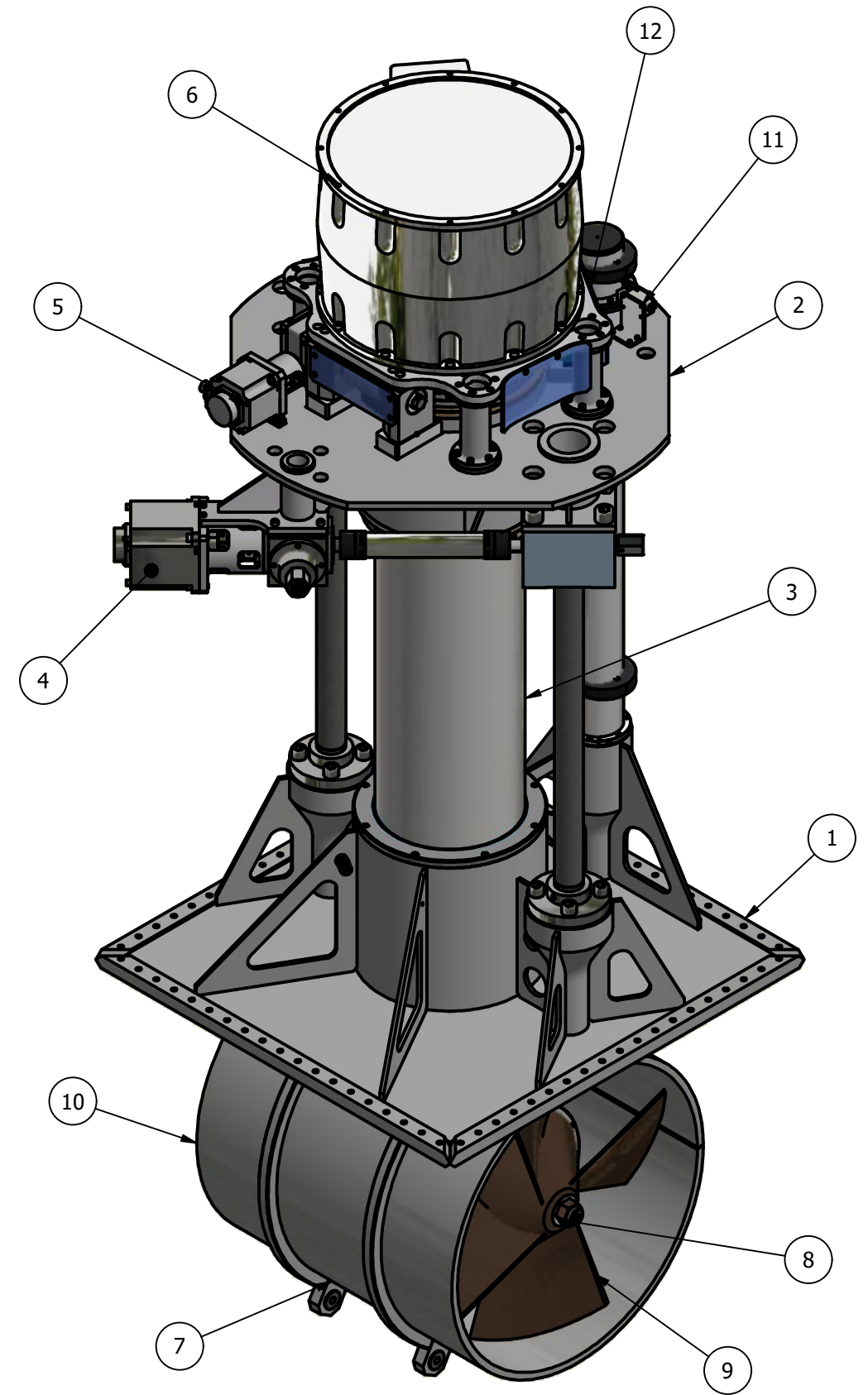
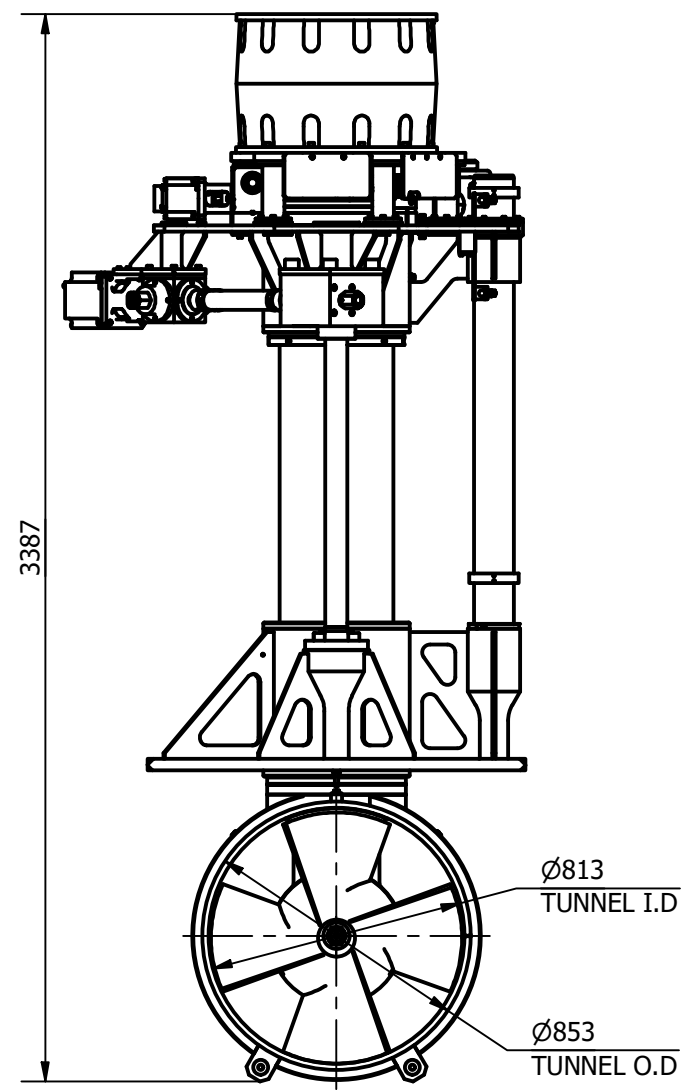
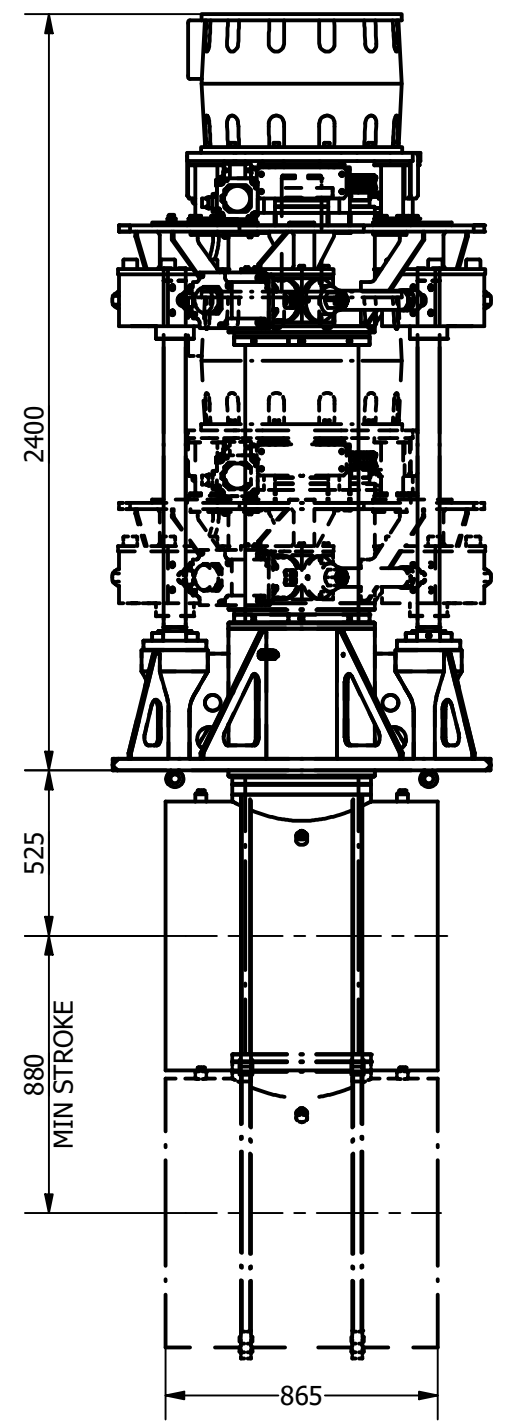
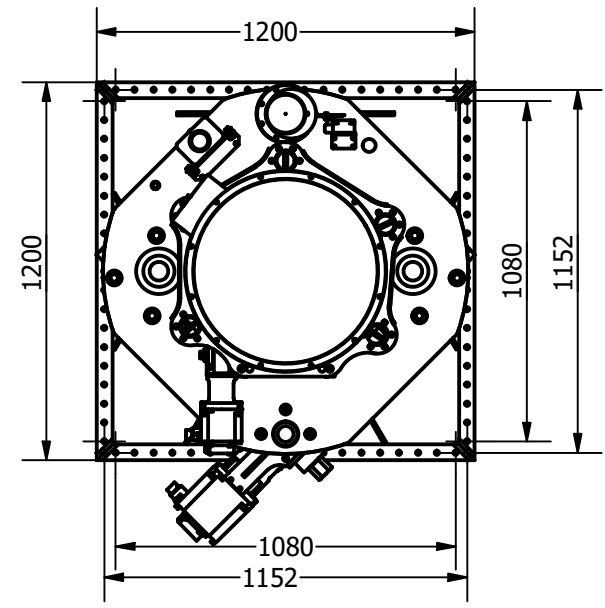




ITEM	QTY	DESCRIPTION
1	1	MOUNTING BASE ASSEMBLY
2	1	LIFT PLATE ASSEMBLY
3	1	RETRACT TUBE ASSEMBLY
4	1	LIFTING SCREW ASSEMBLY
5	1	ROTATING DRIVE ASSEMBLY
6	1	MOTOR ASSEMBLY
7	1	TUNNEL ASSEMBLY
8	1	POD ASSEMBLY
9	1	PROPELLER 1
10	1	PROPELLER 2
11	2	PROXIMITY SENSOR LIFT MECHANISM
12	1	PROXIMITY SENSOR ROTATING MECHANISM

NOMINAL PROP DIA	800mm
POWER RANGE	194-252kw (260-338hp)
MIN / MAX THRUST	2328-2772kgf (5132-6111lbf)
WEIGHT APPROXIMATELY	2015kg (4443lb)



 <p>Tel: +44 (0)1202 596630 www.oceanmarinesystems.co.uk</p>	<b>Title</b> VERTICAL RETRACT AND ROTATE THRUSTER - ELECTRIC				<b>Revision</b> 1		Dimensions in millimeters & degrees Gen. Tolerance ± 0.2 Gen. Finish 3.2		
	<b>Drawing No.</b> E-0800-V-R		<b>Material</b>		<b>Finish</b>				
<b>Sheet</b> 1 of 1	<b>Scale</b> N.T.S @ A3	<b>Mass</b>	<b>Date Drawn</b> 09/05/2016	<b>By</b> LR	<b>Modified Date</b> 29/01/2021	<b>By</b> BW	<b>Cert.</b>	<b>Insp.</b>	<b>Grade</b>

© Copyright. All rights to this drawing and design are the sole property of Ocean Marine Systems Ltd. This drawing must not be copied, communicated or loaned to any third party without the written consent of Ocean Marine Systems Ltd.