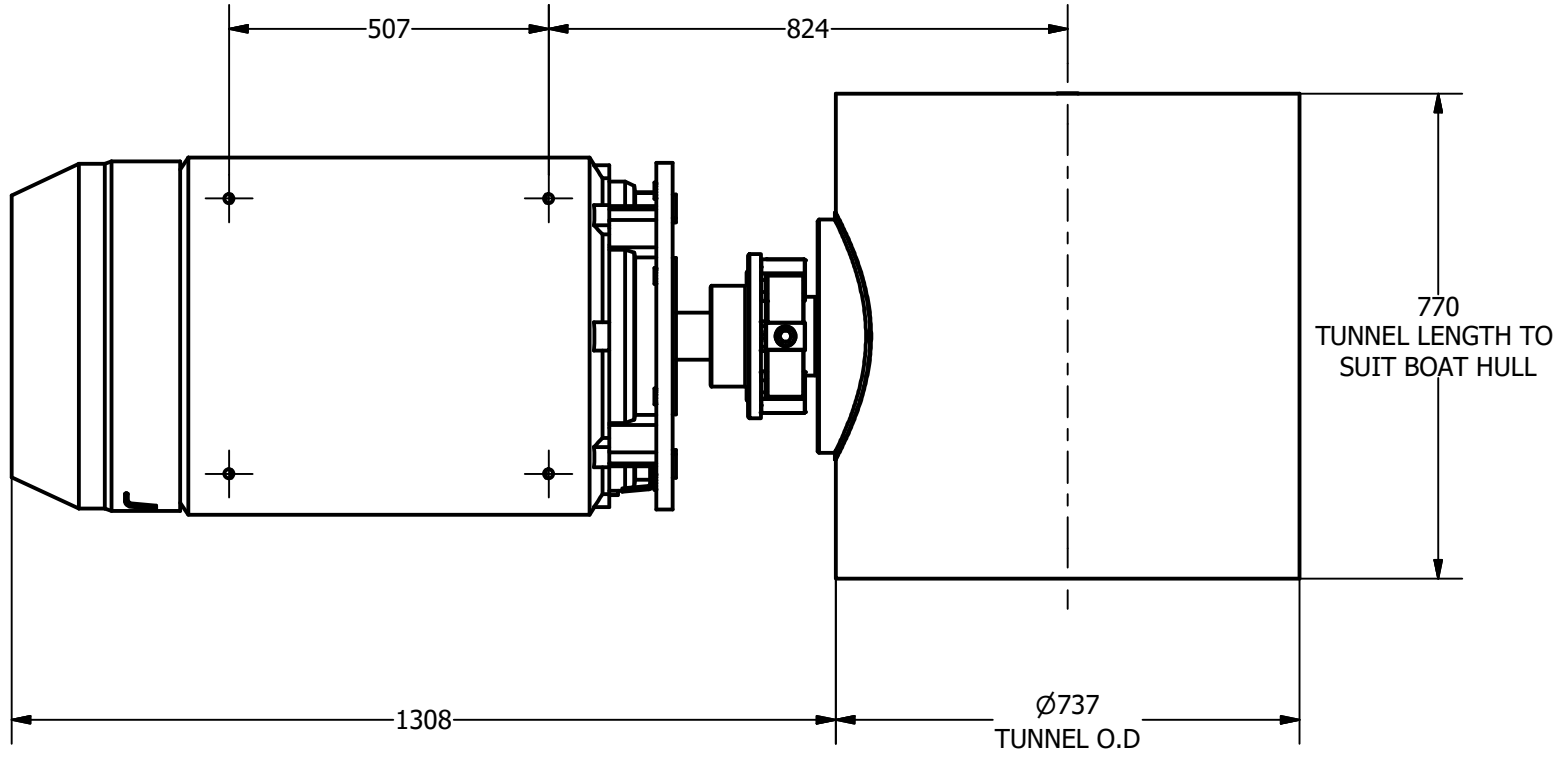
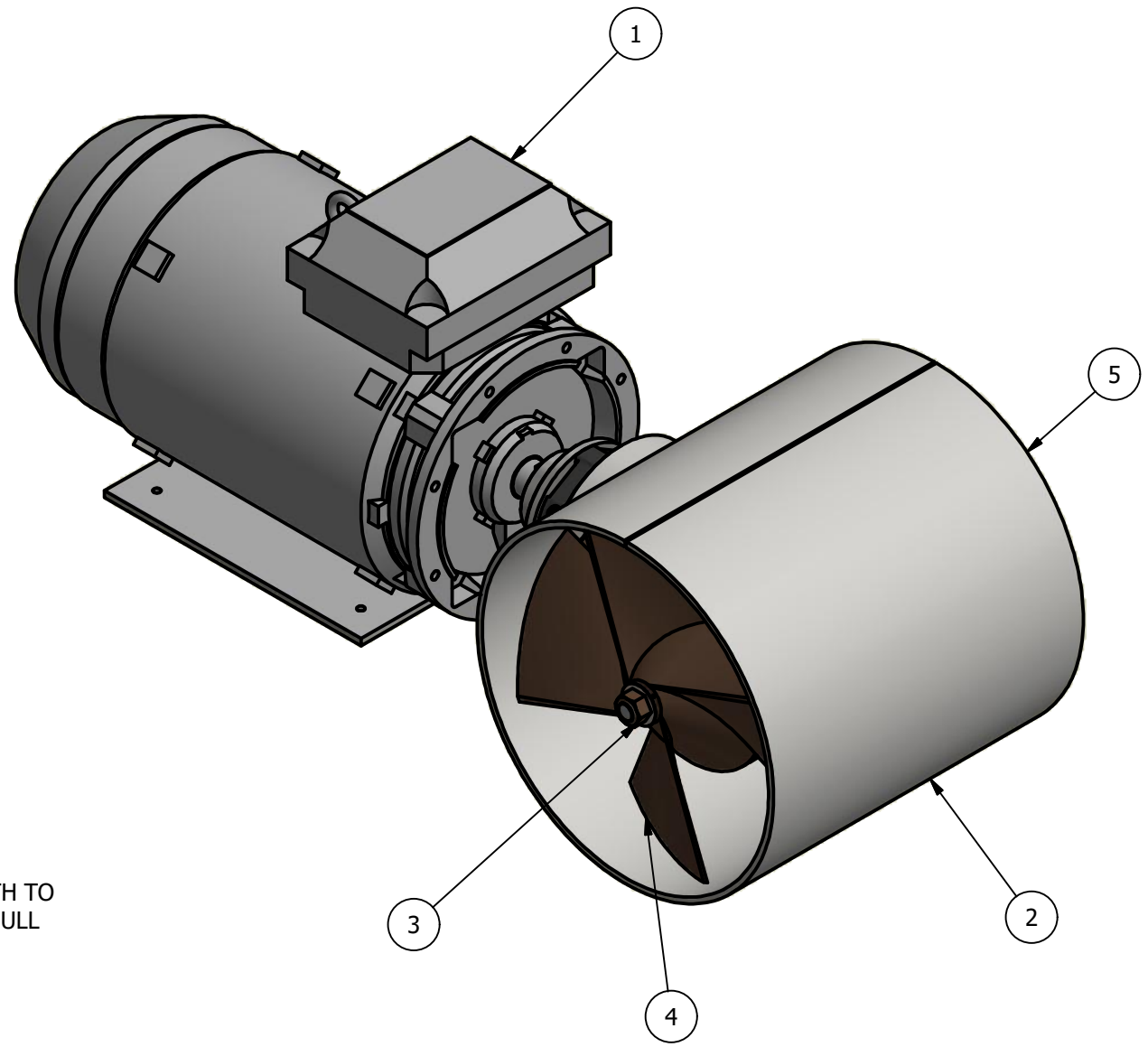
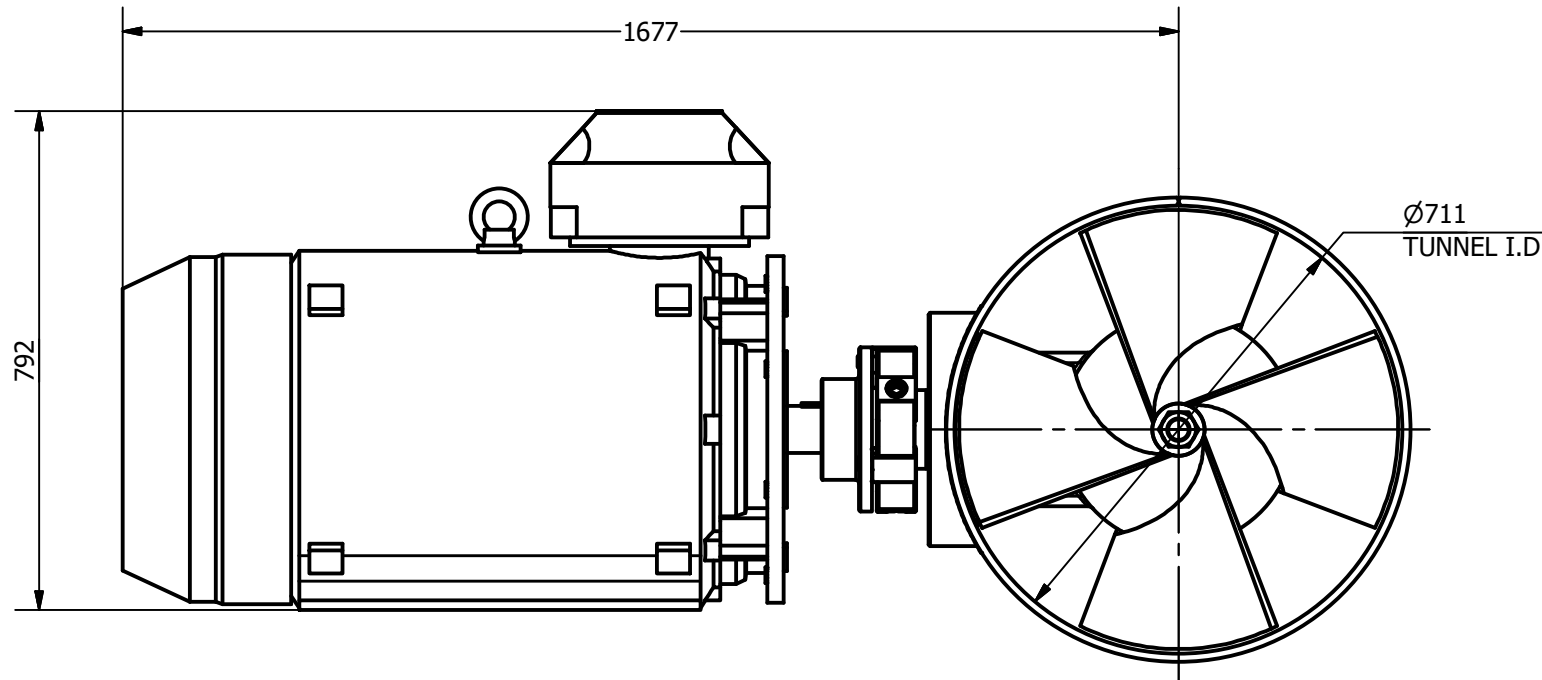



ITEM	QTY	DESCRIPTION
1	1	MOTOR ASSEMBLY
2	1	TUNNEL ASSEMBLY
3	1	POD ASSEMBLY
4	1	PROPELLER 1
5	1	PROPELLER 2

NOMINAL PROP DIA	700mm
POWER RANGE	142-194kw (191-260hp)
MIN / MAX THRUST	1704-2328kgf (5132-3757lbs)
WEIGHT APPROXIMATELY	1521kg (3353lb)



 <p>OCEAN MARINE SYSTEMS</p> <p>Tel: +44 (0)1202 596630 www.oceanmarinesystems.co.uk</p>	Title				Revision		Dimensions in millimeters & degrees		
	ELECTRIC TUNNEL THRUSTER				2		Gen. Tolerance ± 0.2		
	Drawing No.		Material		Finish		Gen. Finish		
	E-0700-T						3.2		
Sheet	Scale	Mass	Date Drawn	By	Modified Date	By	Cert.	Insp.	Grade
1 of 1	N.T.S @ A3	N/A	11/05/2015	LR	15/06/2018	LR			
<p>© Copyright. All rights to this drawing and design are the sole property of Ocean Marine Systems Ltd. This drawing must not be copied, communicated or loaned to any third party without the written consent of Ocean Marine Systems Ltd.</p>									