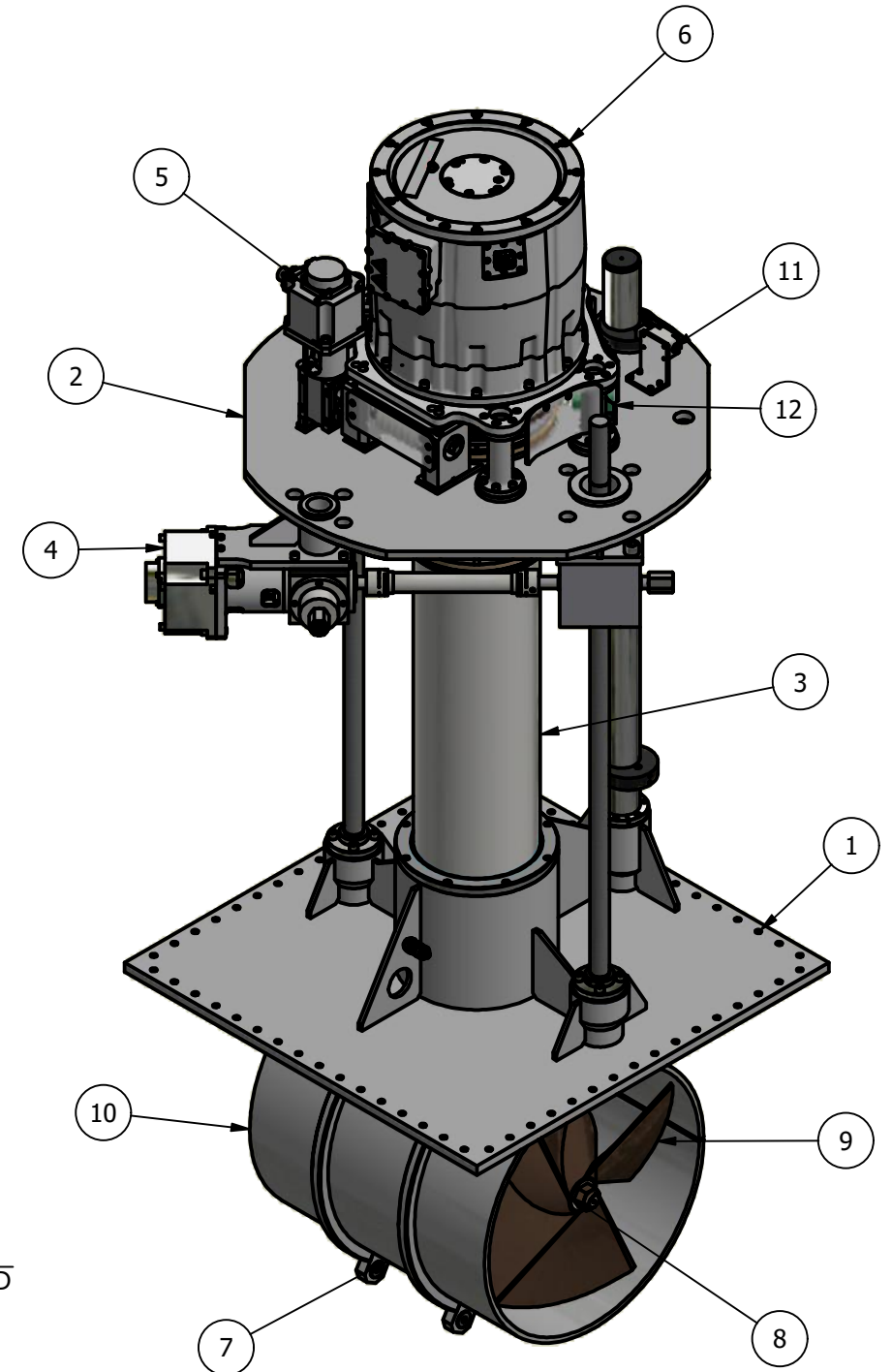
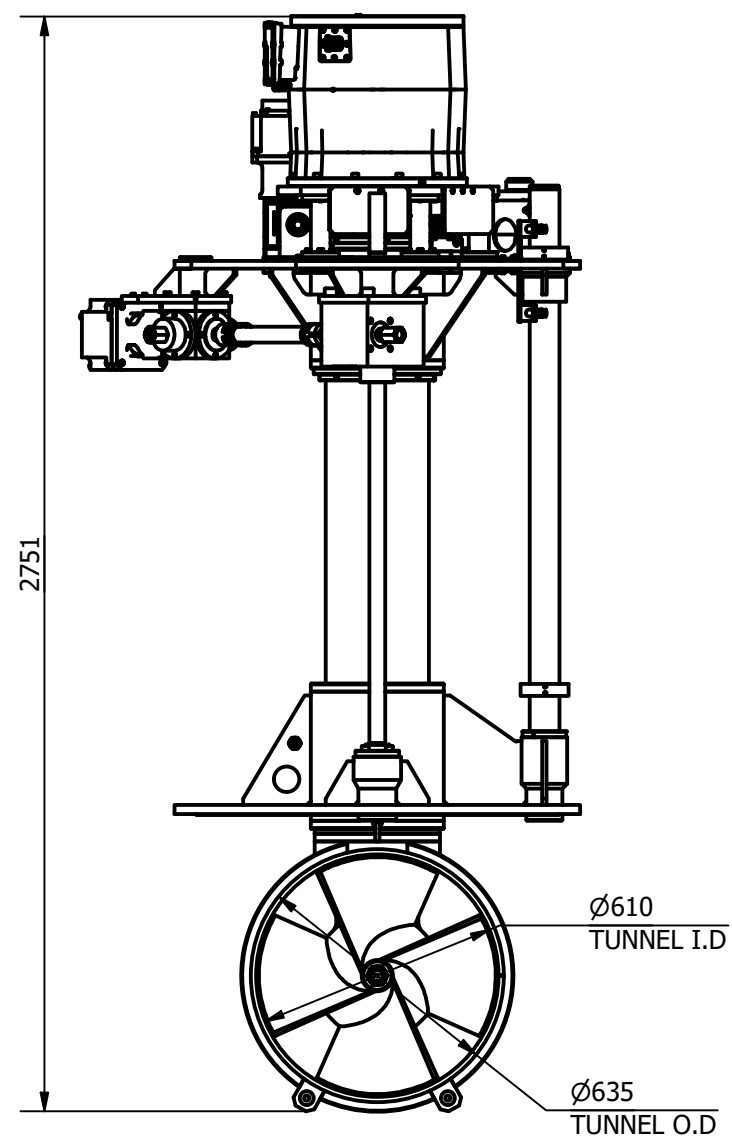
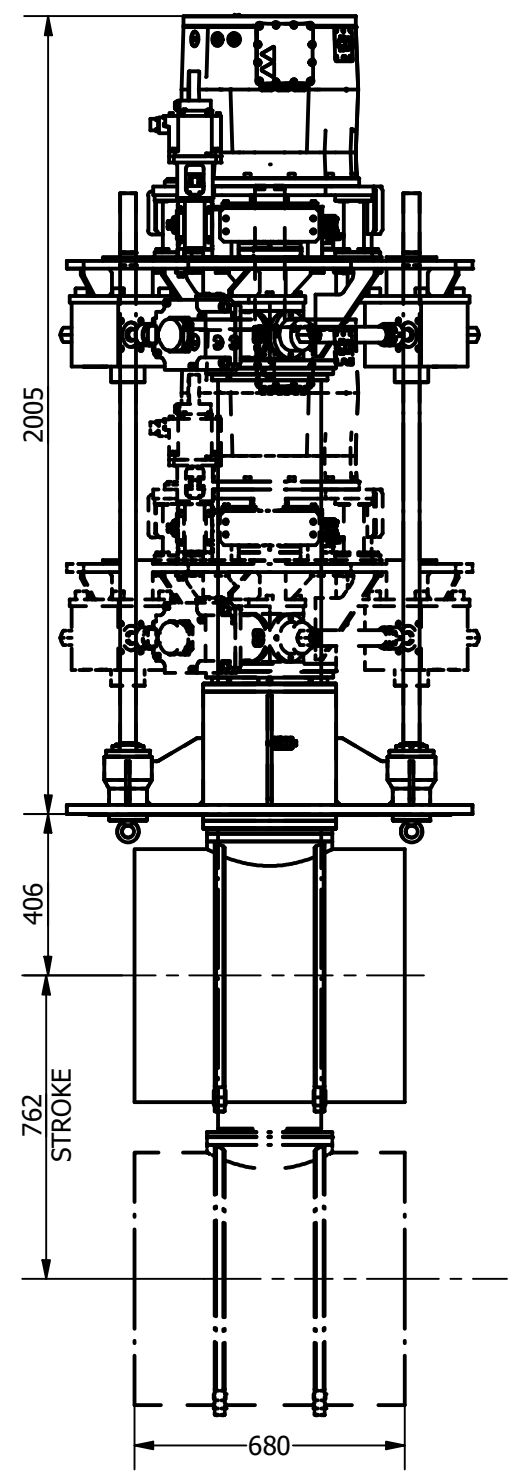
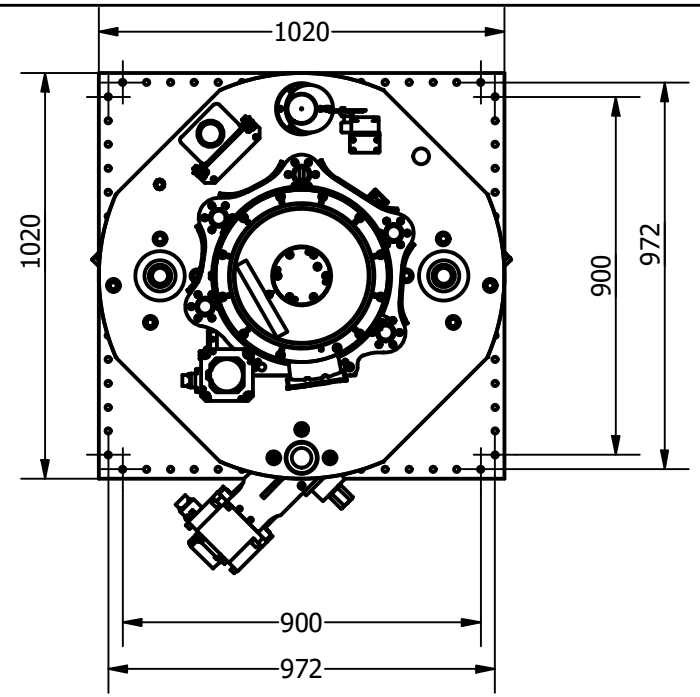




ITEM	QTY	DESCRIPTION
1	1	MOUNTING BASE ASSEMBLY
2	1	LIFT PLATE ASSEMBLY
3	1	RETRACT TUBE ASSEMBLY
4	1	LIFTING SCREW ASSEMBLY
5	1	ROTATING DRIVE ASSEMBLY
6	1	MOTOR ASSEMBLY
7	1	TUNNEL ASSEMBLY
8	1	POD ASSEMBLY
9	1	PROPELLER 1
10	1	PROPELLER 2
11	2	PROXIMITY SENSOR LIFT MECHANISM
12	1	PROXIMITY SENSOR ROTATING MECHANISM

NOMINAL PROP DIA	600mm
POWER RANGE	99-142 kw (133-190 hp)
MIN / MAX THRUST	118-1704 kgf (2619-3757 lbf)
WEIGHT APPROXIMATELY	1108 kg (2443 lb)



 <p>OCEAN MARINE SYSTEMS</p> <p>Tel: +44 (0)1202 596630 www.oceanmarinesystems.co.uk</p>	<p>Title VERTICAL RETRACT AND ROTATE THRUSTER - ELECTRIC</p>				<p>Revision 1</p>		<p>Dimensions in millimeters & degrees</p> <p>Gen. Tolerance ± 0.2</p> <p>Gen. Finish 3.2</p>		
	<p>Drawing No. E-0600-V-R</p>		<p>Material</p>		<p>Finish</p>			<p></p> <p>If in doubt ask!</p>	
<p>Sheet 1 of 1</p>	<p>Scale N.T.S @ A3</p>	<p>Mass N/A</p>	<p>Date Drawn 26/01/2016</p>	<p>By LR</p>	<p>Modified Date 28/01/2021</p>	<p>By BW</p>	<p>Cert.</p>	<p>Insp.</p>	<p>Grade</p>

© Copyright. All rights to this drawing and design are the sole property of Ocean Marine Systems Ltd. This drawing must not be copied, communicated or loaned to any third party without the written consent of Ocean Marine Systems Ltd.