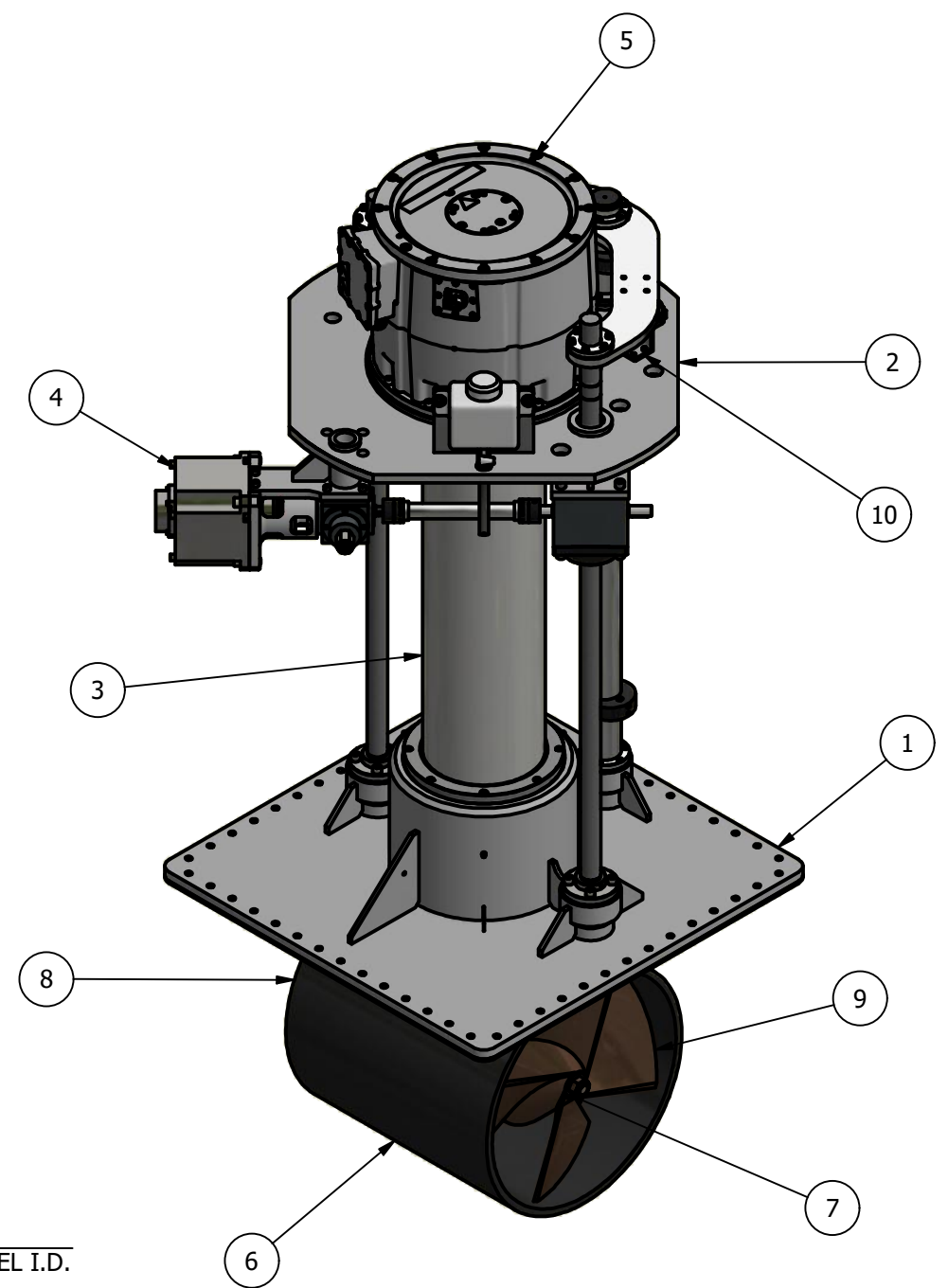
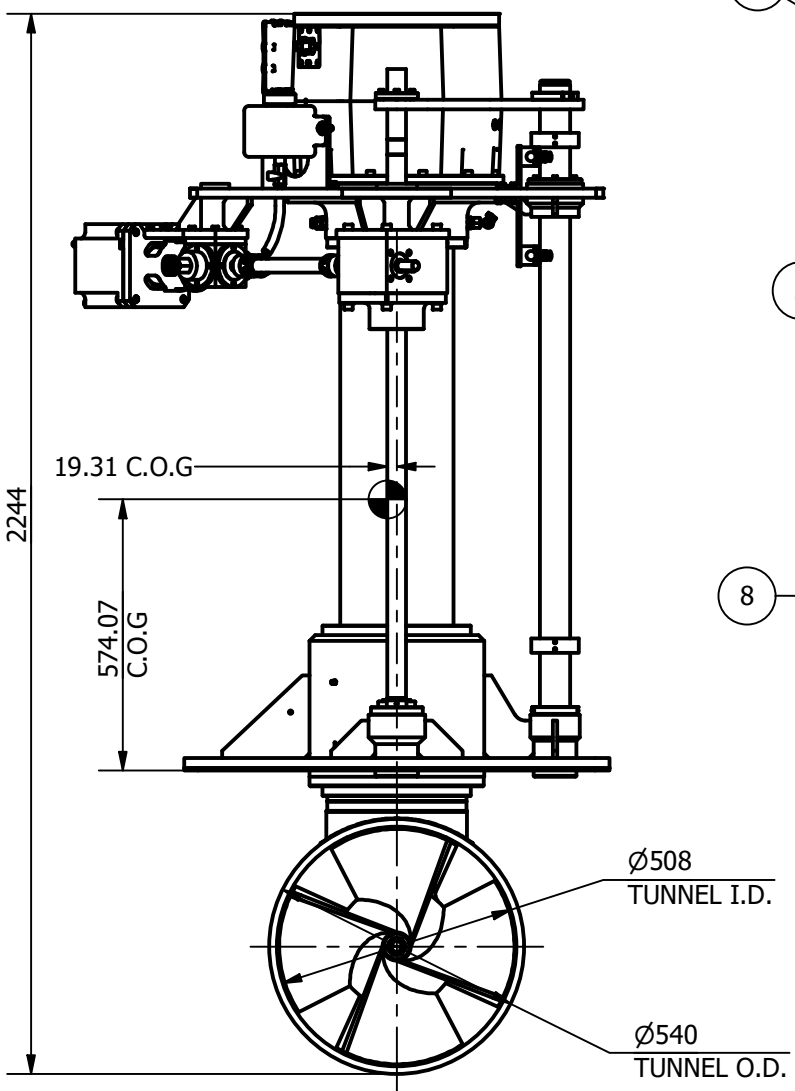
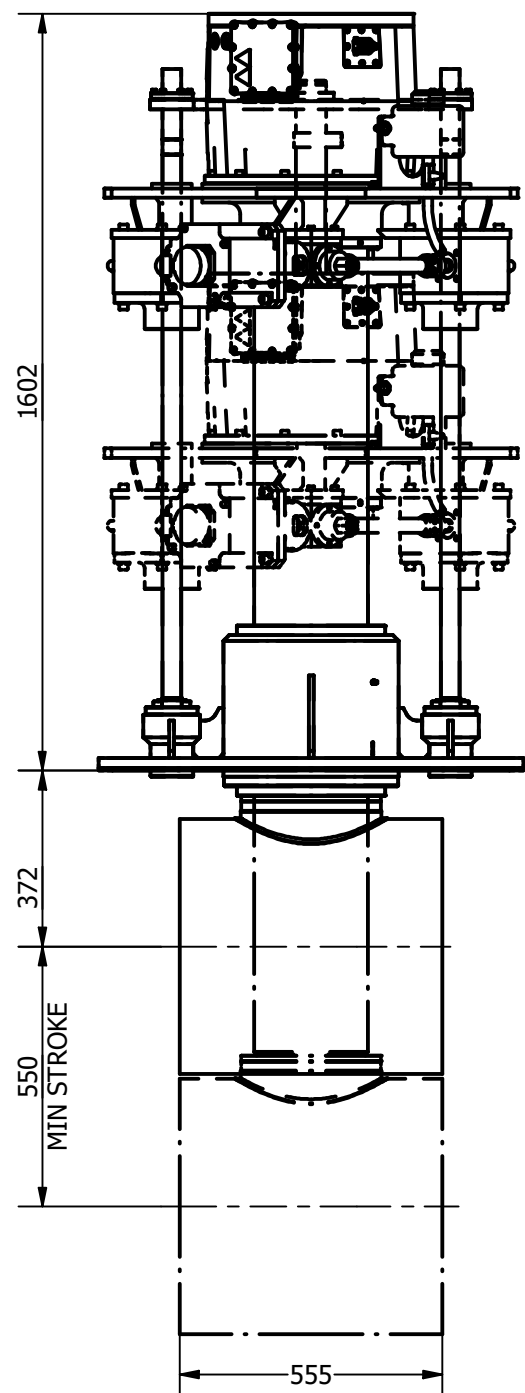
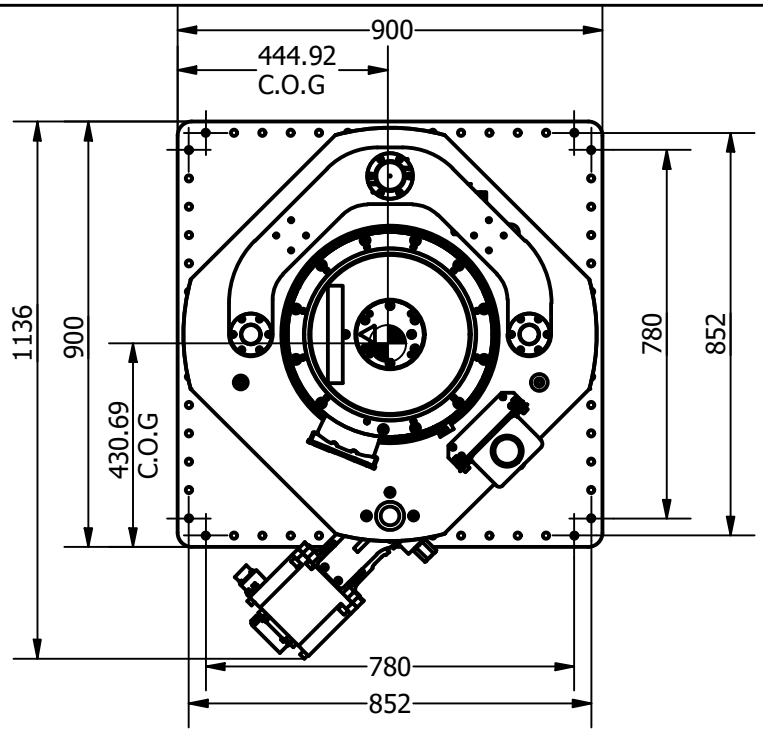




ITEM	QTY	DESCRIPTION
1	1	MOUNTING BASE ASSEMBLY
2	1	LIFT PLATE ASSEMBLY
3	1	RETRACT TUBE ASSEMBLY
4	1	LIFTING SCREW ASSEMBLY
5	1	MOTOR ASSEMBLY
6	1	TUNNEL ASSEMBLY
7	1	POD ASSEMBLY
8	1	PROPELLER 1
9	1	PROPELLER 2
10	2	PROXIMITY SENSOR

NOMINAL PROP DIA	500mm
POWER RANGE	63-99 kw (84-133 hp)
MIN / MAX THRUST	756-1188 kgf (1667-2619 lbf)
WEIGHT APPROXIMATELY	720 kg (1587lb)



 <p>OCEAN MARINE SYSTEMS</p> <p>Tel: +44 (0)1202 596630 www.oceanmarinesystems.co.uk</p>	<p>Title: VERTICAL RETRACTING THRUSTER - ELECTRIC</p>		<p>Revision: 1</p>	<p>Dimensions in millimeters & degrees</p> <p>Gen. Tolerance ± 0.2</p> <p>Gen. Finish 3.2</p>					
	<p>Drawing No. E-0500-V</p>	<p>Material</p>	<p>Finish</p>	<p></p> <p><i>If in doubt ask!</i></p>					
<p>Sheet 1 of 1</p>	<p>Scale N.T.S @ A3</p>	<p>Mass</p>	<p>Date Drawn 05/08/2015</p>	<p>By LR</p>	<p>Modified Date 03/02/2021</p>	<p>By BW</p>	<p>Cert.</p>	<p>Insp.</p>	<p>Grade</p>

© Copyright. All rights to this drawing and design are the sole property of Ocean Marine Systems Ltd. This drawing must not be copied, communicated or loaned to any third party without the written consent of Ocean Marine Systems Ltd.