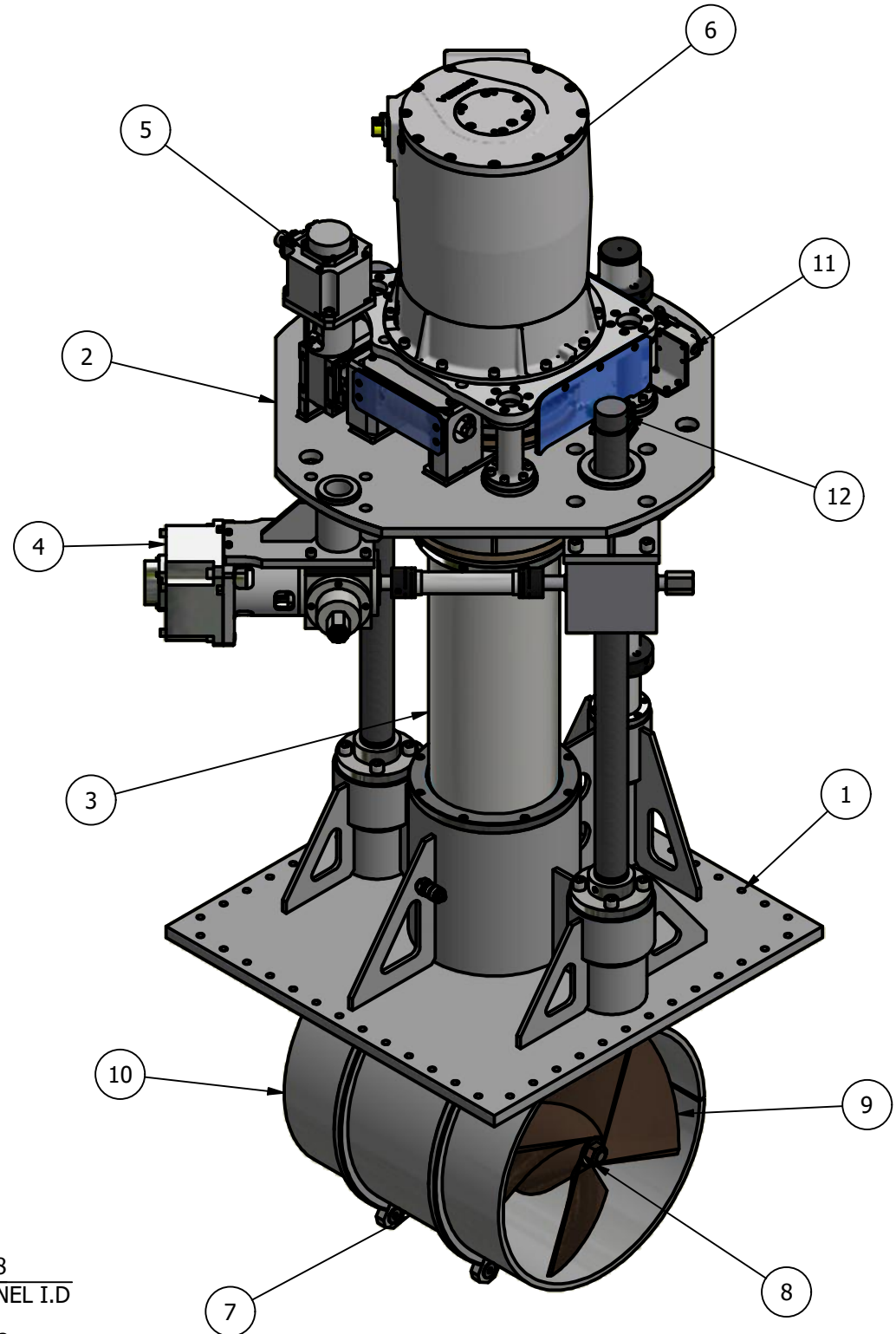
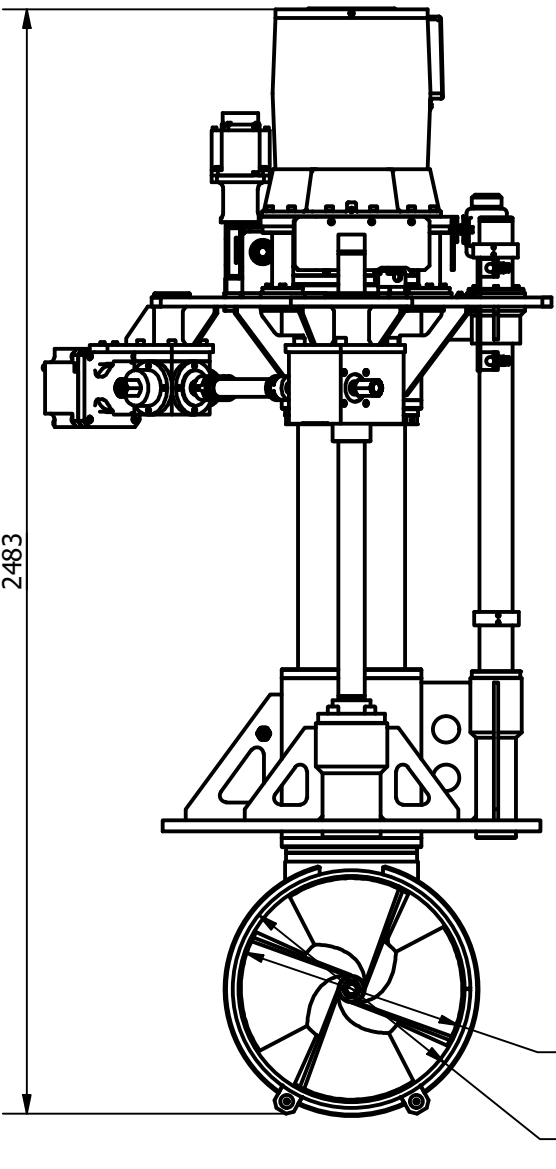
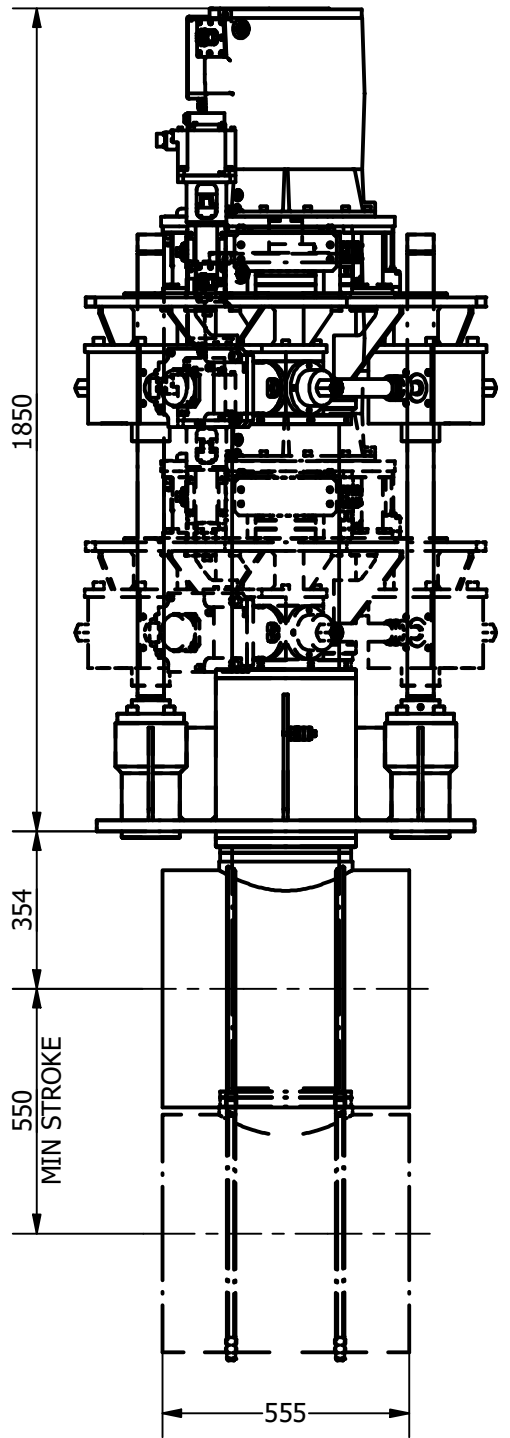
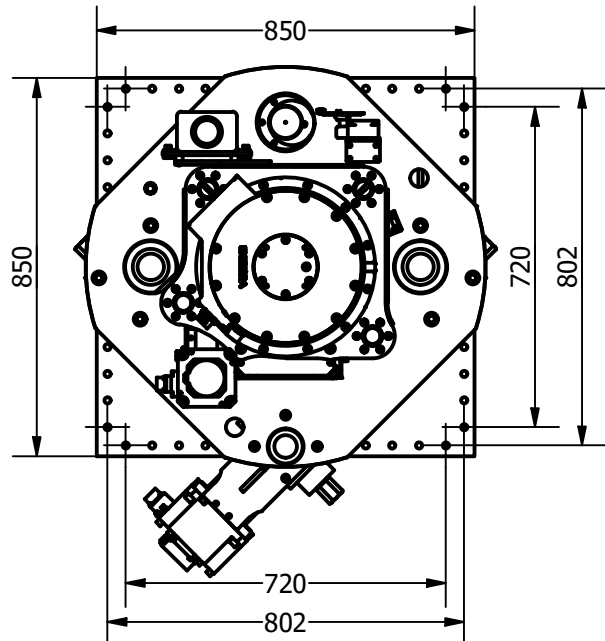


ITEM	QTY	DESCRIPTION
1	1	MOUNTING BASE ASSEMBLY
2	1	LIFT PLATE ASSEMBLY
3	1	RETRACT TUBE ASSEMBLY
4	1	LIFTING SCREW ASSEMBLY
5	1	ROTATING DRIVE ASSEMBLY
6	1	MOTOR ASSEMBLY
7	1	TUNNEL ASSEMBLY
8	1	POD ASSEMBLY
9	1	PROPELLER 1
10	1	PROPELLER 2
11	2	PROXIMITY SENSOR LIFT MECHANISM
12	1	PROXIMITY SENSOR ROTATING MECHANISM

NOMINAL PROP DIA	500mm
POWER RANGE	63-99kw (84-133hp)
MIN / MAX THRUST	756-1188kgf (1667-2619lbf)
WEIGHT APPROXIMATELY	860kg (1896lb)



	Title VERTICAL RETRACT AND ROTATE THRUSTER - ELECTRIC				Revision 1		Dimensions in millimeters & degrees			
	Drawing No. E-0500-V-R		Material		Finish		Gen. Tolerance ± 0.2 Gen. Finish 3.2			
Tel: +44 (0)1202 596630 www.oceanmarinesystems.co.uk		Sheet 1 of 1	Scale N.T.S @ A3	Mass N/A	Date Drawn 26/01/2016	By LR	Modified Date 28/01/2021	By BW	 If in doubt ask!	
© Copyright. All rights to this drawing and design are the sole property of Ocean Marine Systems Ltd. This drawing must not be copied, communicated or loaned to any third party without the written consent of Ocean Marine Systems Ltd.										