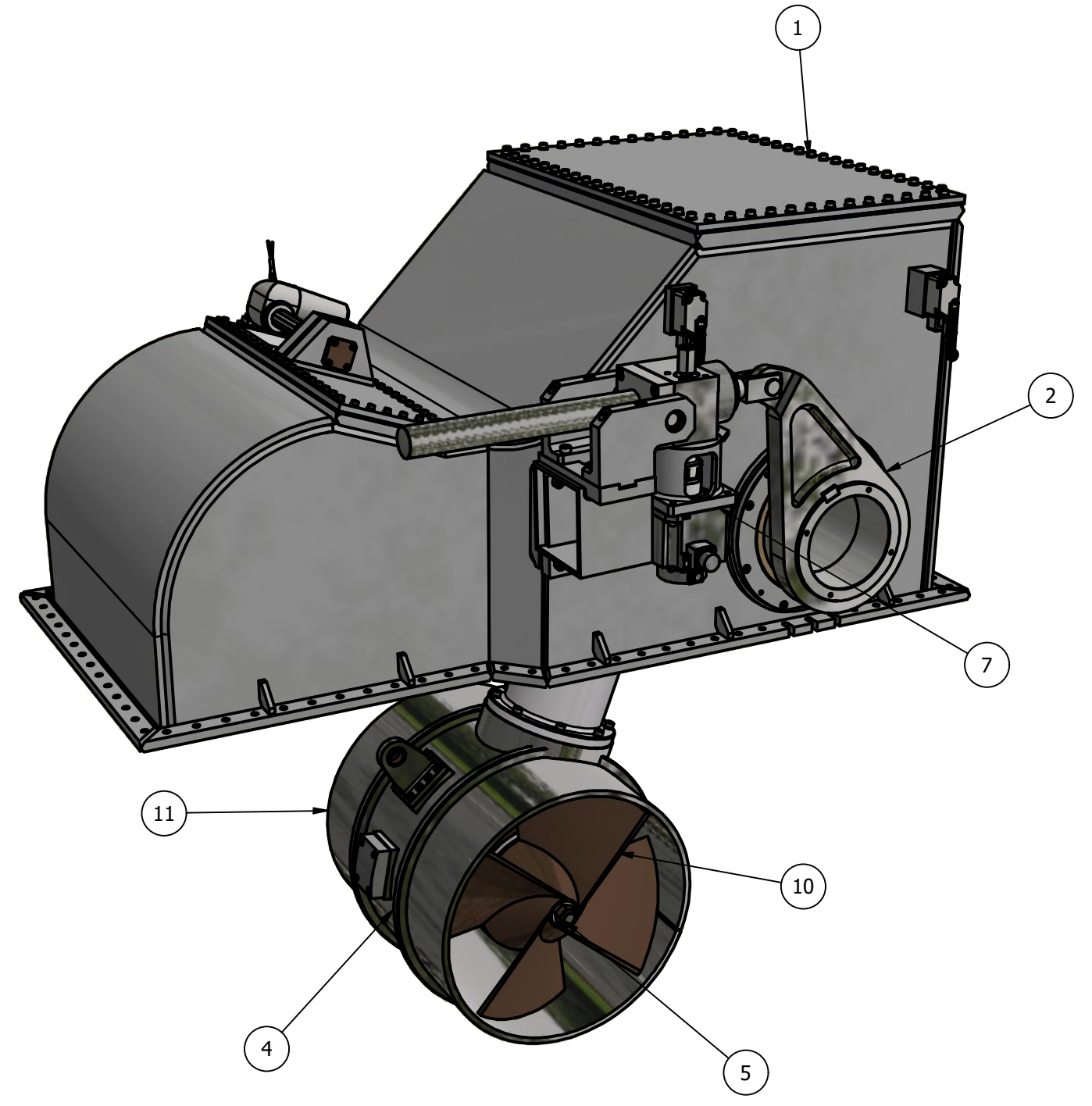
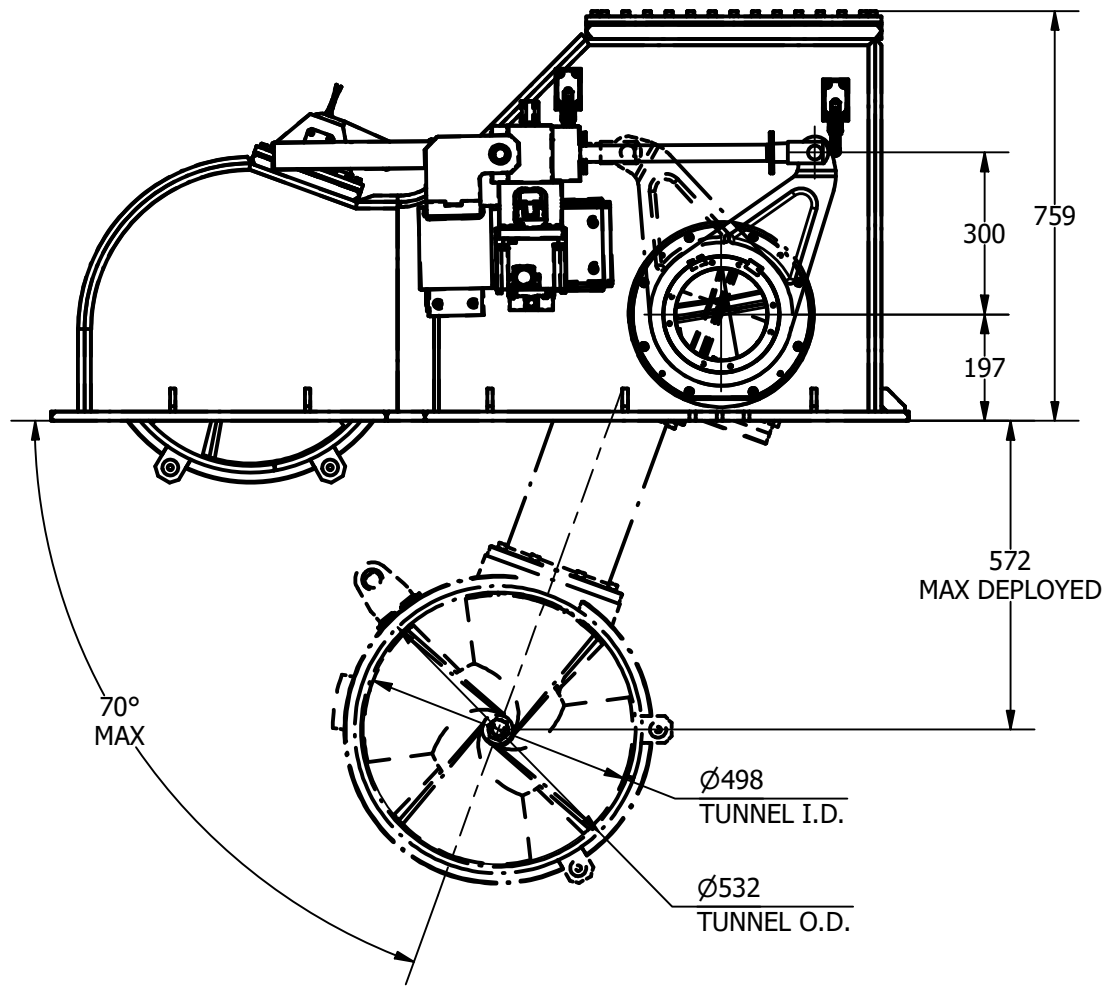
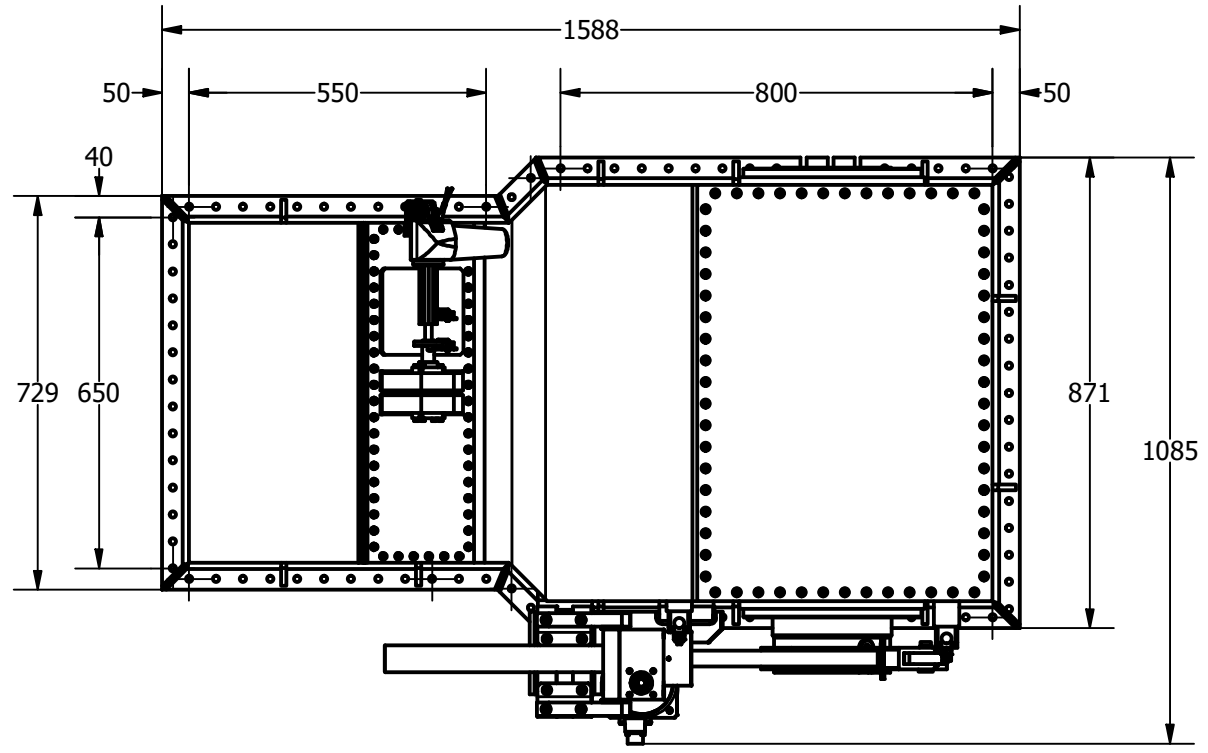



ITEM	QTY	DESCRIPTION
1	1	OUTER BOX ASSEMBLY
2	1	SWING BOX ASSEMBLY
4	1	TUNNEL ASSEMBLY
5	1	POD ASSEMBLY
7	1	LIFTING MOTOR ASSEMBLY
10	1	PROPELLER
11	1	PROPELLER

NOTE:

- Swing mechanism can be mounted either side of the outer box assembly

NOMINAL PROP DIA	500mm
POWER RANGE	63-99kw (84-133hp)
MIN / MAX THRUST	756-1188kgf (1667-2619lbf)
WEIGHT APPROXIMATELY	793kg (1749lb)



 <p>Tel: +44 (0)1202 596630 www.oceanmarinesystems.co.uk</p>	<p>Title: SWING THRUSTER - ELECTRIC</p>				<p>Revision: 1</p>		<p>Dimensions in millimeters & degrees</p>								
	<p>Drawing No. E-0500-S</p>		<p>Material</p>		<p>Finish</p>		<p>Gen. Tolerance ± 0.2 Gen. Finish 3.2</p>								
<p>Sheet 1 of 1</p>		<p>Scale N.T.S @ A3</p>		<p>Mass N/A</p>		<p>Date Drawn 28/04/2017</p>		<p>By LR</p>		<p>Modified Date 01/02/2021</p>		<p>By BW</p>		<p>Cert. Insp. Grade</p>	
<p>© Copyright. All rights to this drawing and design are the sole property of Ocean Marine Systems Ltd. This drawing must not be copied, communicated or loaned to any third party without the written consent of Ocean Marine Systems Ltd.</p>															