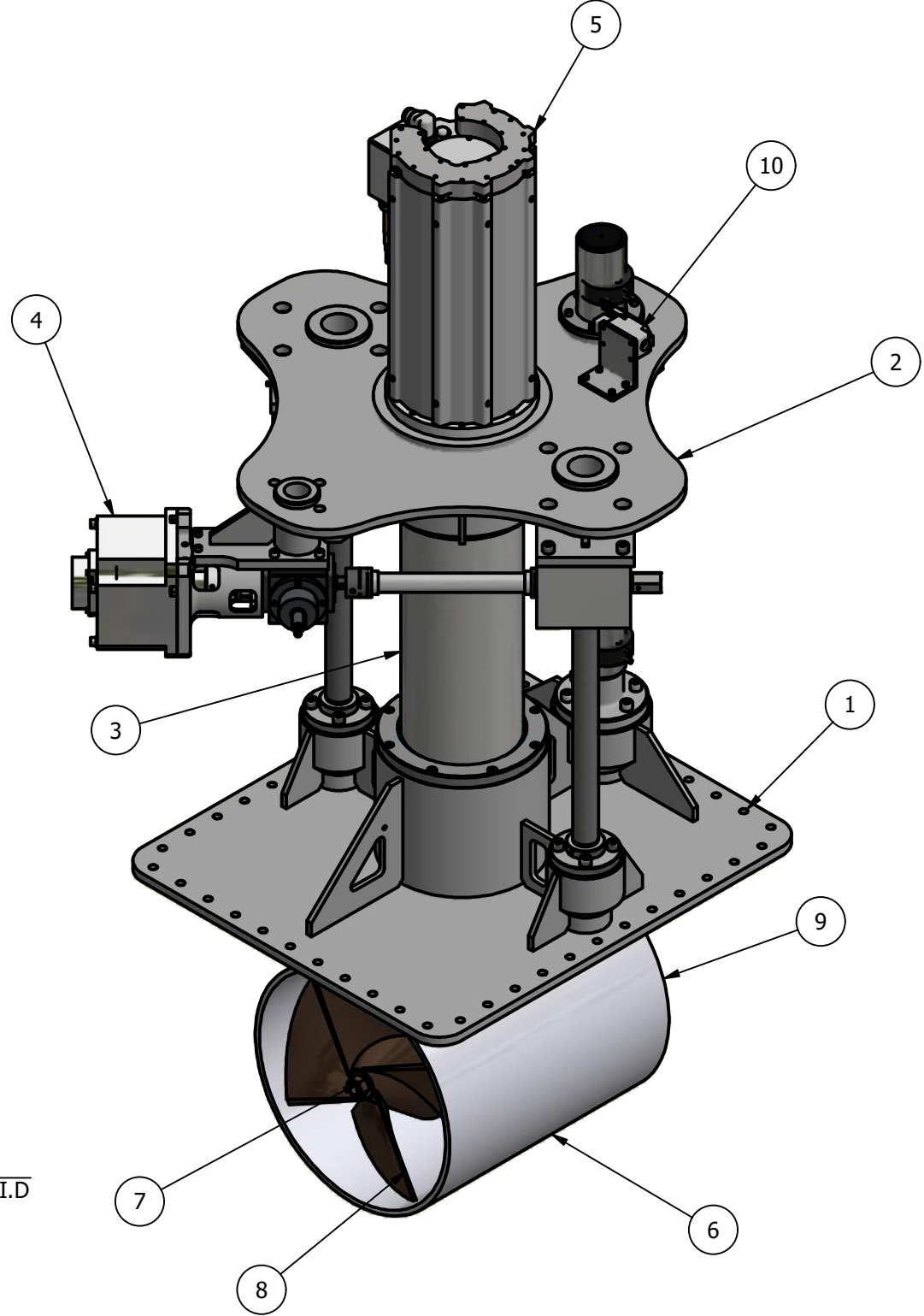
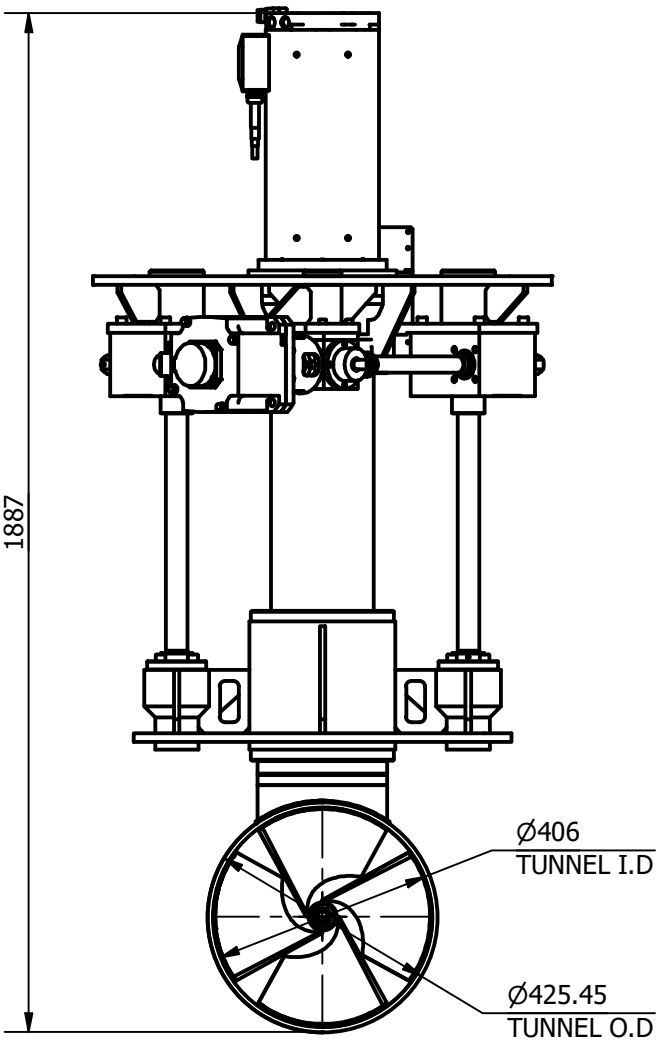
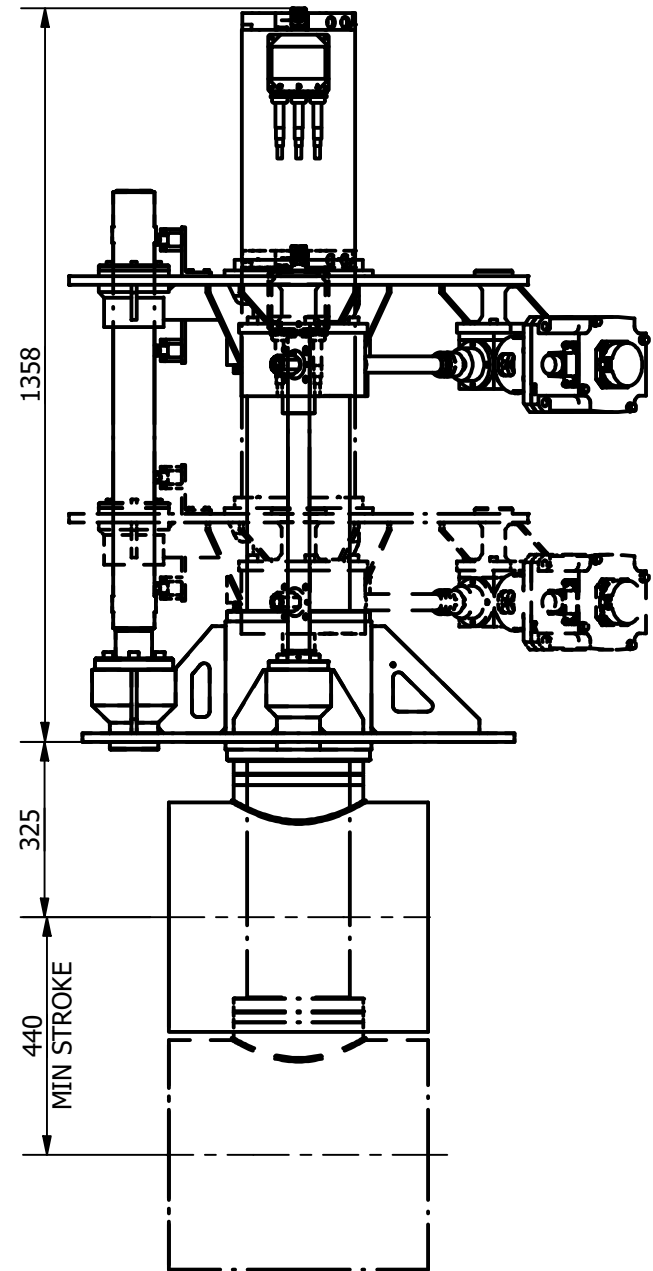
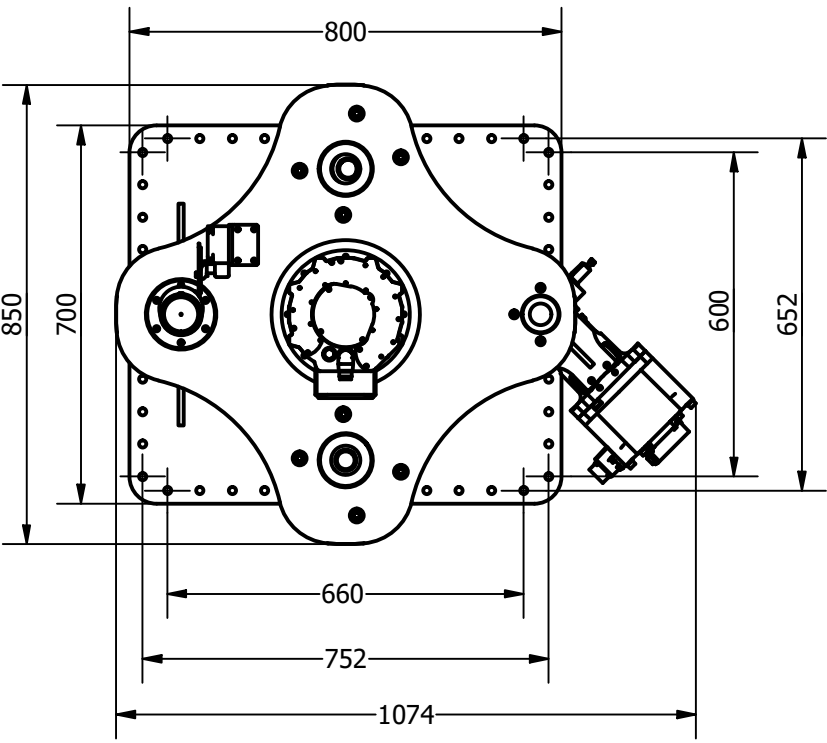


ITEM	QTY	DESCRIPTION
1	1	MOUNTING BASE ASSEMBLY
2	1	LIFT PLATE ASSEMBLY
3	1	RETRACT TUBE ASSEMBLY
4	1	LIFTING SCREW ASSEMBLY
5	1	MOTOR ASSEMBLY
6	1	TUNNEL ASSEMBLY
7	1	POD ASSEMBLY
8	1	PROPELLER 1
9	1	PROPELLER 2
10	2	PROXIMITY SENSOR

NOMINAL PROP DIA	400mm
POWER RANGE	36-63kw (48-85hp)
MIN / MAX THRUST	432-756kgf (952-1667lbf)
WEIGHT APPROXIMATELY	350kg (772lb)



<p>OCEAN MARINE SYSTEMS</p> <p>Tel: +44 (0)1202 596600 www.oceanmarinesystems.co.uk</p>	Title VERTICAL RETRACTING THRUSTER - ELECTRICAL		Revision 1	Dimensions in millimeters & degrees Gen. Tolerance ± 0.2 Gen. Finish 3.2
	Drawing No. E-0400-V	Material	Finish	
Sheet 1 of 1	Scale N.T.S @ A3	Mass	Date Drawn 03/03/2021	By BW
© Copyright. All rights to this drawing and design are the sole property of Ocean Marine Systems Ltd. This drawing must not be copied, communicated or loaned to any third party without the written consent of Ocean Marine Systems Ltd.		Modified Date By	Cert.	Insp.