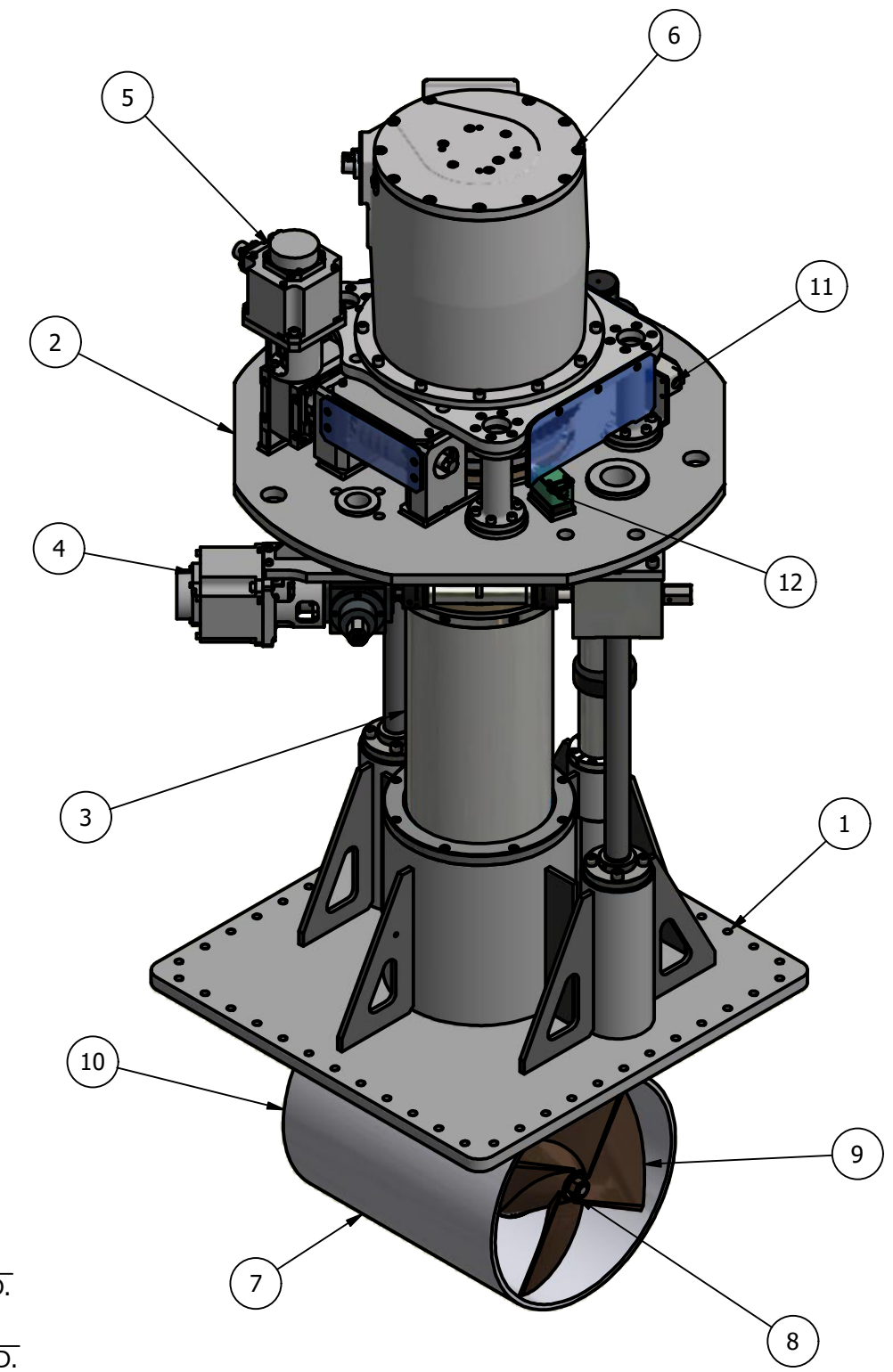
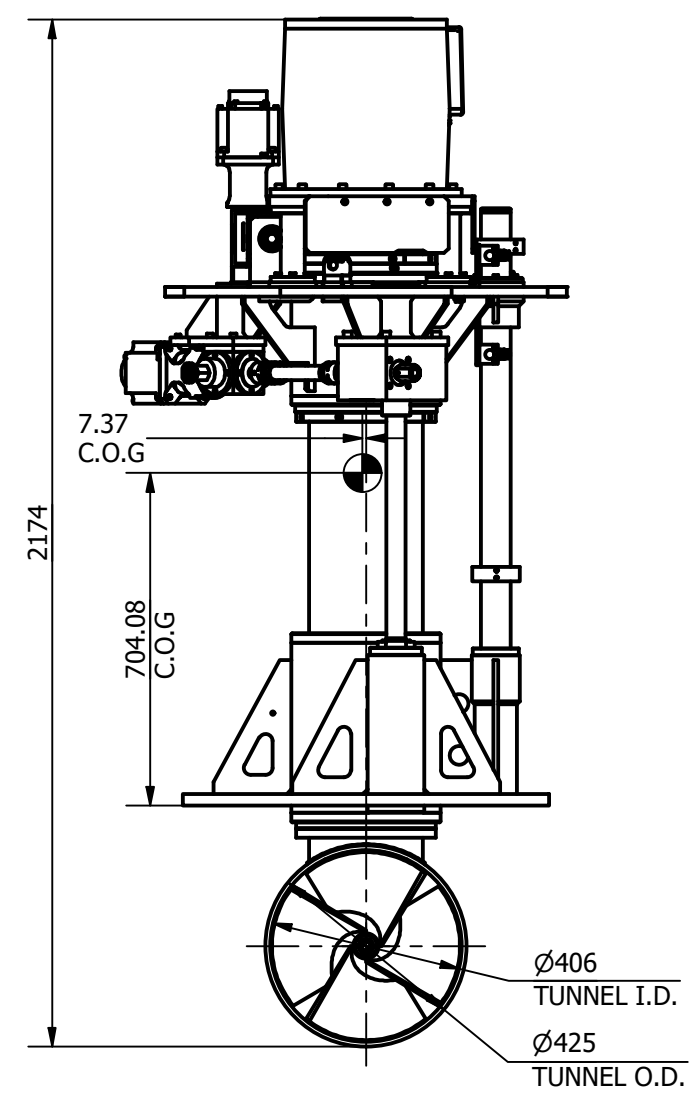
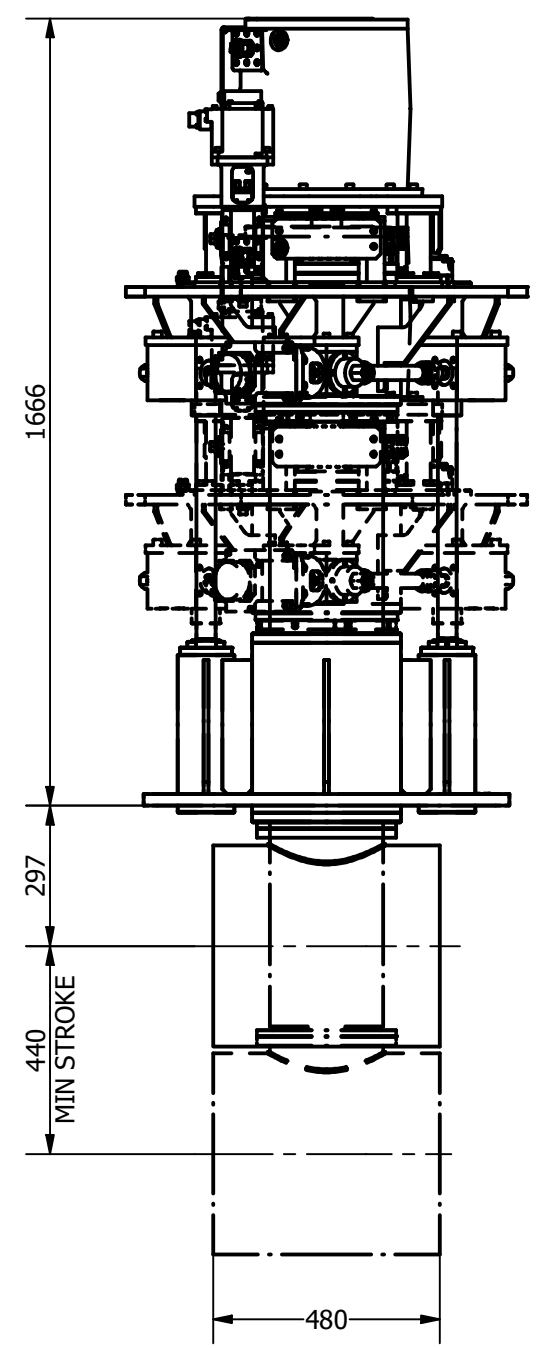
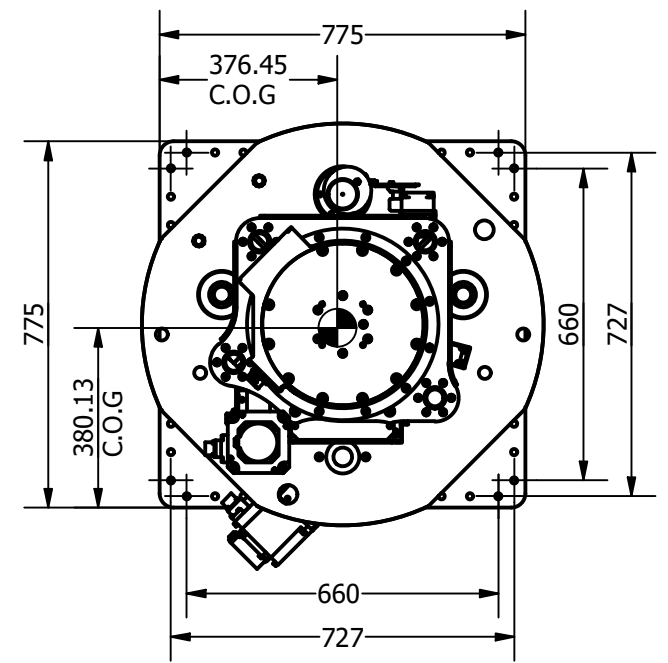




ITEM	QTY	DESCRIPTION
1	1	MOUNTING BASE ASSEMBLY
2	1	LIFT PLATE ASSEMBLY
3	1	RETRACT TUBE ASSEMBLY
4	1	LIFTING SCREW ASSEMBLY
5	1	ROTATING DRIVE ASSEMBLY
6	1	MOTOR ASSEMBLY
7	1	TUNNEL ASSEMBLY
8	1	POD ASSEMBLY
9	1	PROPELLER 1
10	1	PROPELLER 2
11	2	PROXIMITY SENSOR LIFT MECHANISM
12	1	PROXIMITY SENSOR ROTATING MECHANISM

NOMINAL PROP DIA	400mm
POWER RANGE	36-63kw (48-84hp))
MIN / MAX THRUST	432-756kgf (952-1667lbf)
WEIGHT APPROXIMATELY	552kg (1217lb)



 <p>OCEAN MARINE SYSTEMS</p> <p>Tel: +44 (0)1202 596630 www.oceanmarinesystems.co.uk</p>	<p>Title ELECTRIC - VERTICAL RETRACT AND ROTATE THRUSTER</p>				<p>Revision 3</p>		<p>Dimensions in millimeters & degrees</p> <p>Gen. Tolerance ± 0.2</p> <p>Gen. Finish 3.2</p>								
	<p>Drawing No. E-0400-V-R</p>		<p>Material</p>		<p>Finish</p>			<p></p> <p><i>If in doubt ask!</i></p>							
<p>Sheet 1 of 1</p>		<p>Scale N.T.S @ A3</p>		<p>Mass N/A</p>		<p>Date Drawn 06/12/2017</p>		<p>By LR</p>		<p>Modified Date 03/02/2021</p>		<p>By BW</p>		<p>Cert. Insp. Grade</p>	
<p>© Copyright. All rights to this drawing and design are the sole property of Ocean Marine Systems Ltd. This drawing must not be copied, communicated or loaned to any third party without the written consent of Ocean Marine Systems Ltd.</p>															