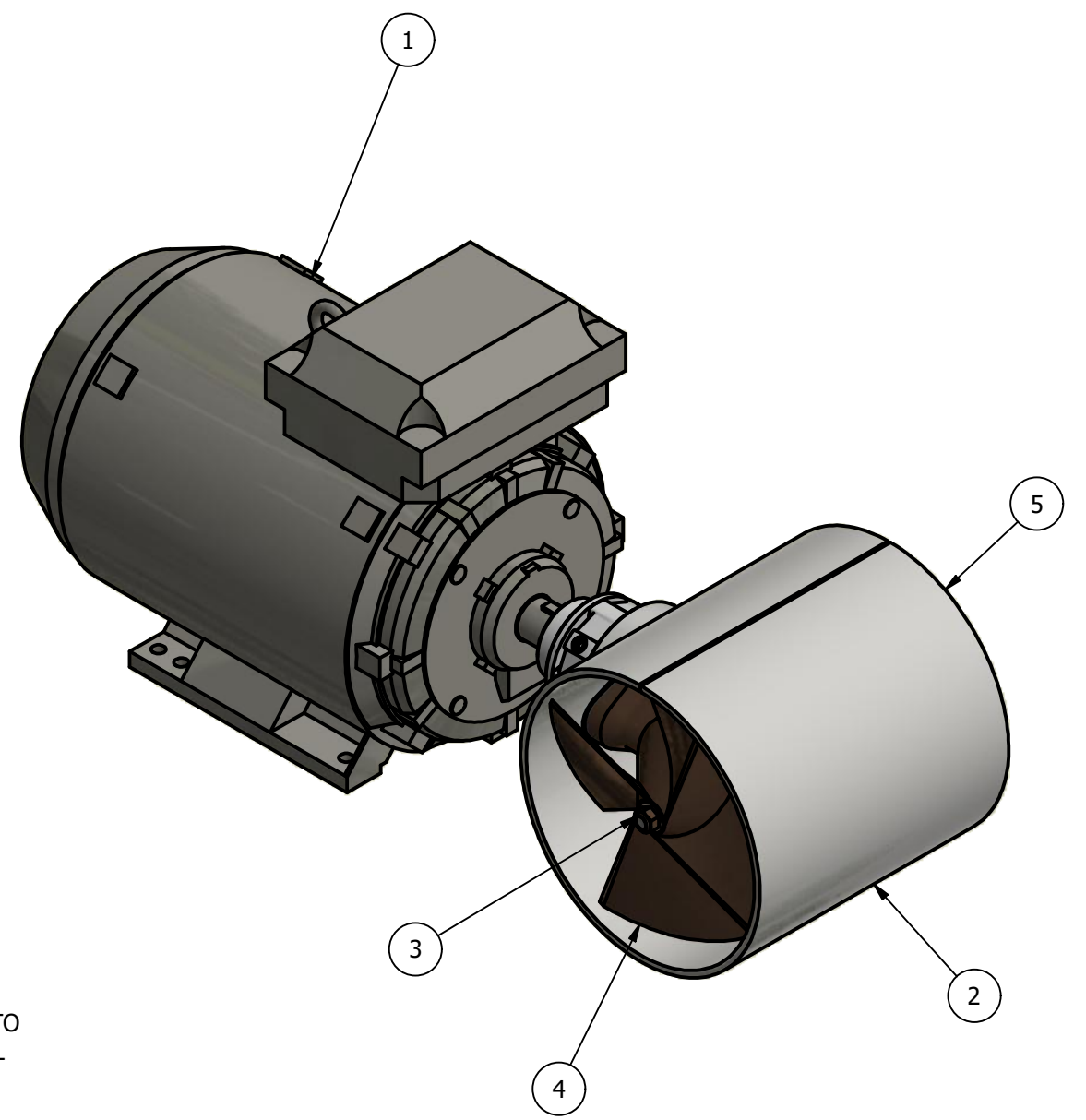
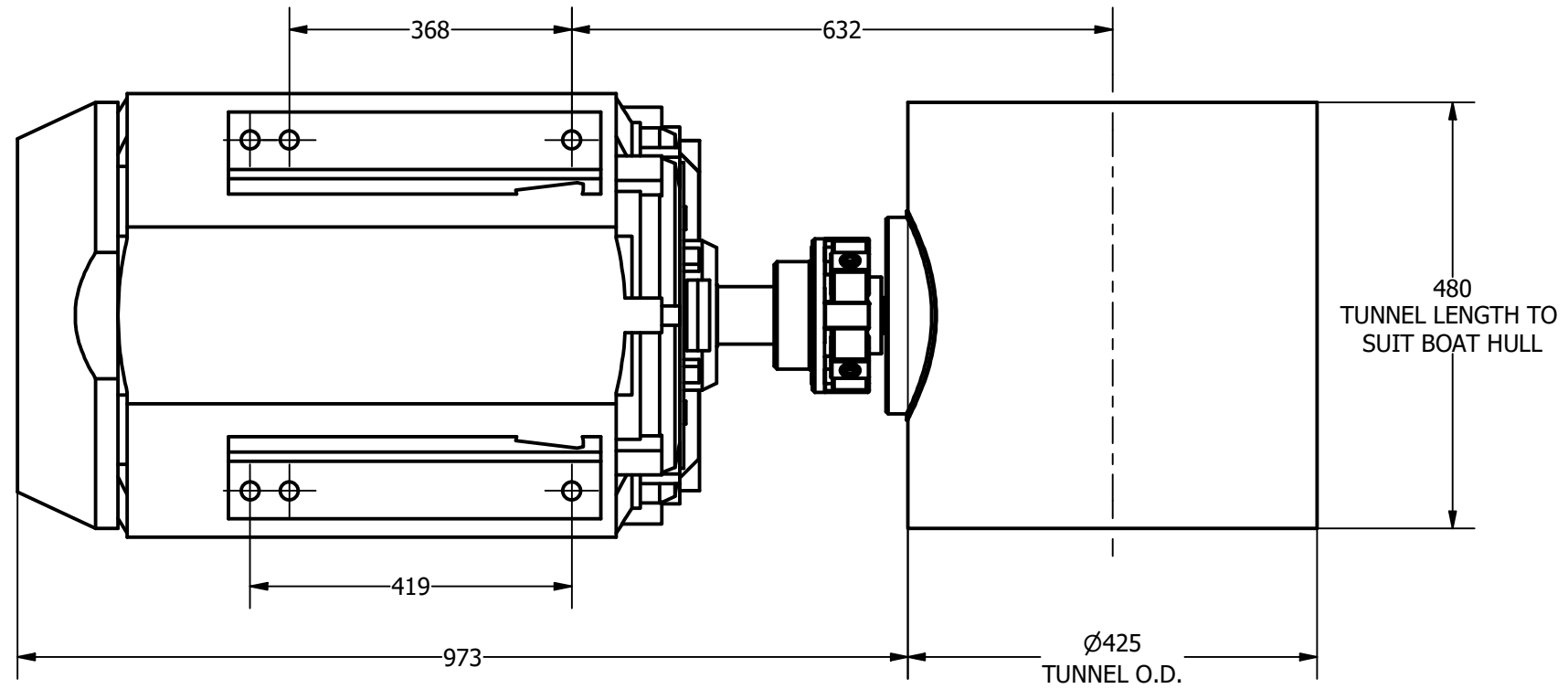
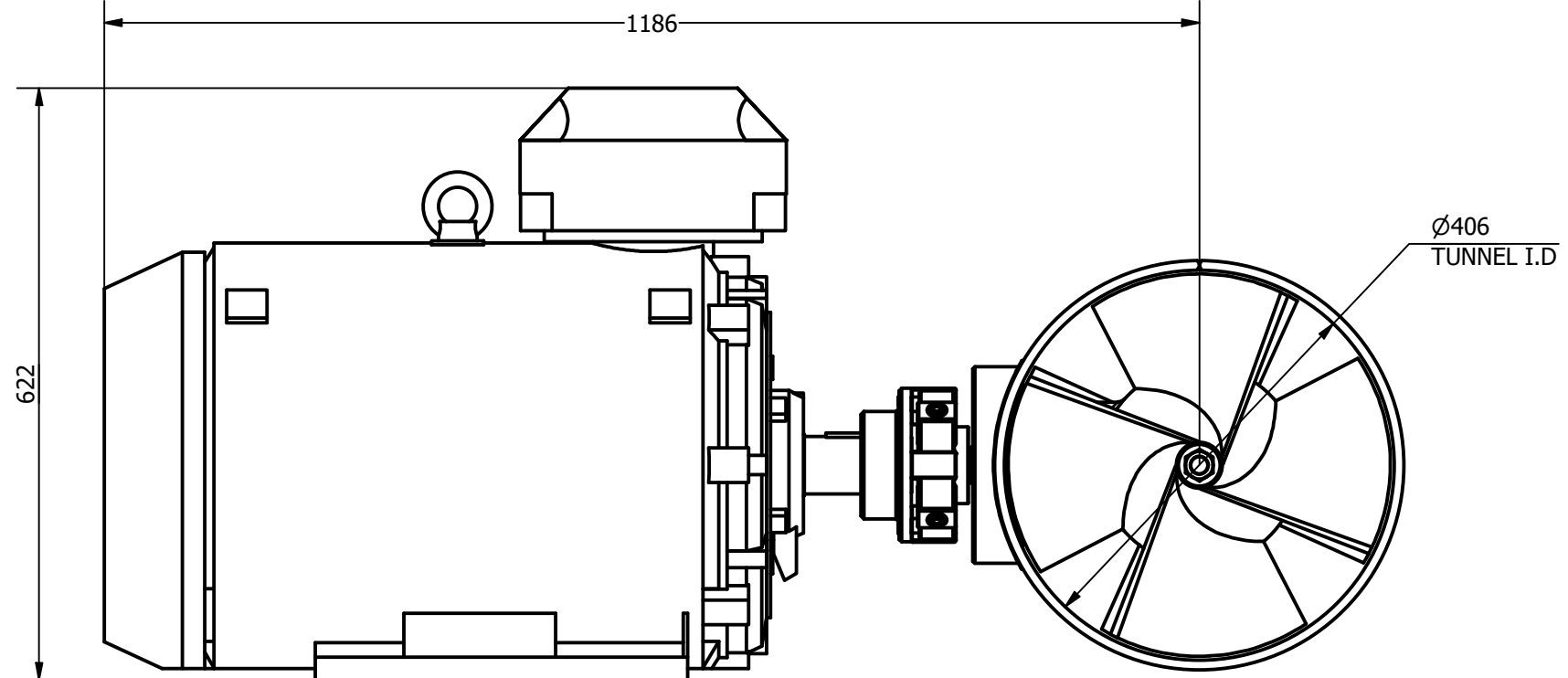




ITEM	QTY	DESCRIPTION
1	1	MOTOR ASSEMBLY
2	1	TUNNEL ASSEMBLY
3	1	POD ASSEMBLY
4	1	PROPELLER 1
5	1	PROPELLER 2

NOMINAL PROP DIA	400mm
POWER RANGE	36-63 kw (48-84 hp)
MIN / MAX THRUST	432-756 kgf (952-1667 lbf)
WEIGHT APPROXIMATELY (EXCL TUNNEL)	495 kg (1092 lb)



 <p>OCEAN MARINE SYSTEMS</p> <p>Tel: +44 (0)1202 596630 www.oceanmarinesystems.co.uk</p>	Title TUNNEL THRUSTER - ELECTRIC			Revision 1	Dimensions in millimeters & degrees Gen. Tolerance ± 0.2 Gen. Finish 3.2									
	Drawing No. E-0400-T		Material	Finish		 <i>If in doubt ask!</i>								
	Sheet 1 of 1	Scale N.T.S @ A3	Mass N/A	Date Drawn 02/02/2016	By LR	Modified Date 27/01/2021	By BW	<table border="1"> <tr> <td>Cert.</td> <td>Insp.</td> <td>Grade</td> </tr> <tr> <td></td> <td></td> <td></td> </tr> </table>	Cert.	Insp.	Grade			
	Cert.	Insp.	Grade											
<small>© Copyright. All rights to this drawing and design are the sole property of Ocean Marine Systems Ltd. This drawing must not be copied, communicated or loaned to any third party without the written consent of Ocean Marine Systems Ltd.</small>														