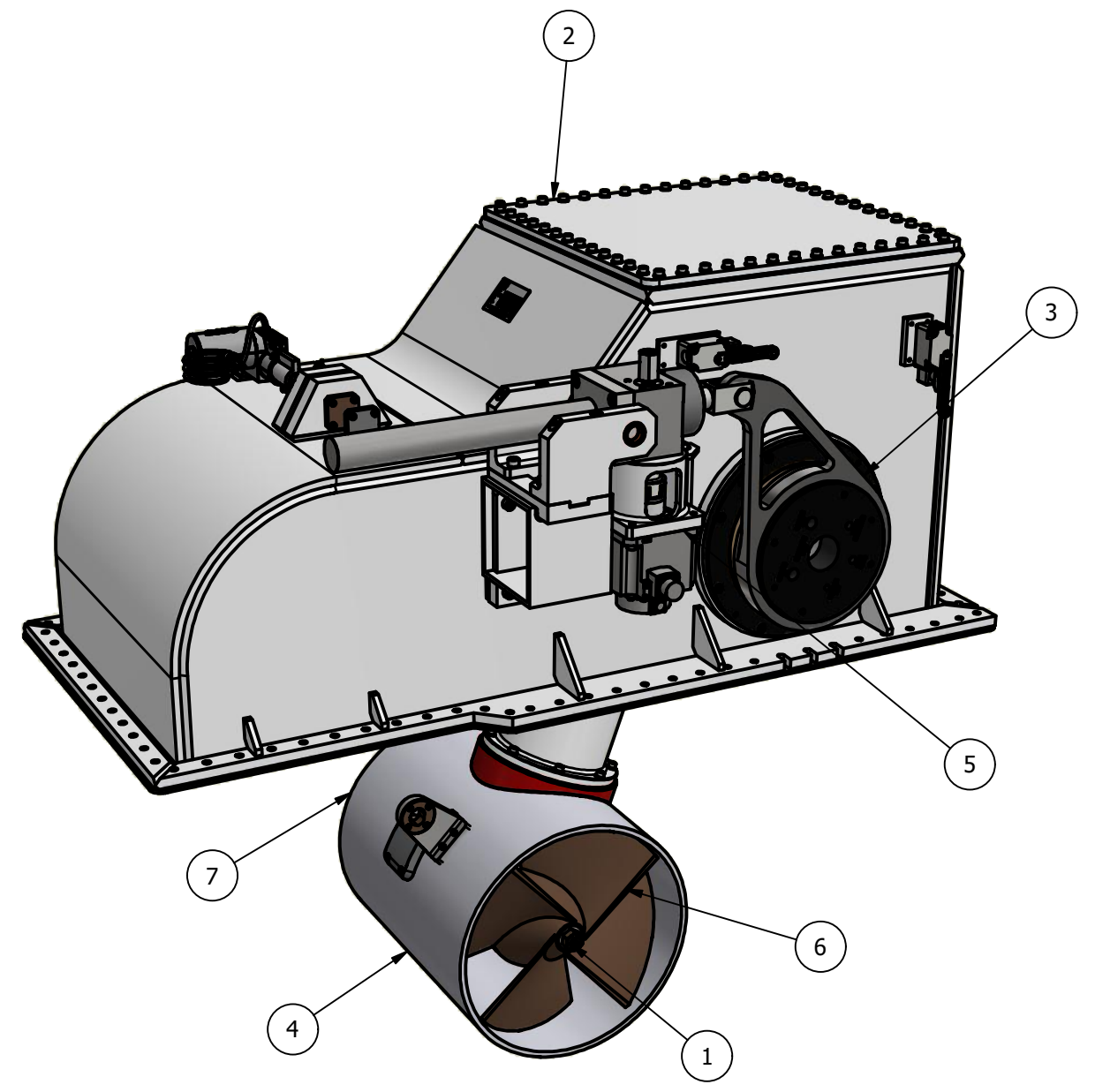
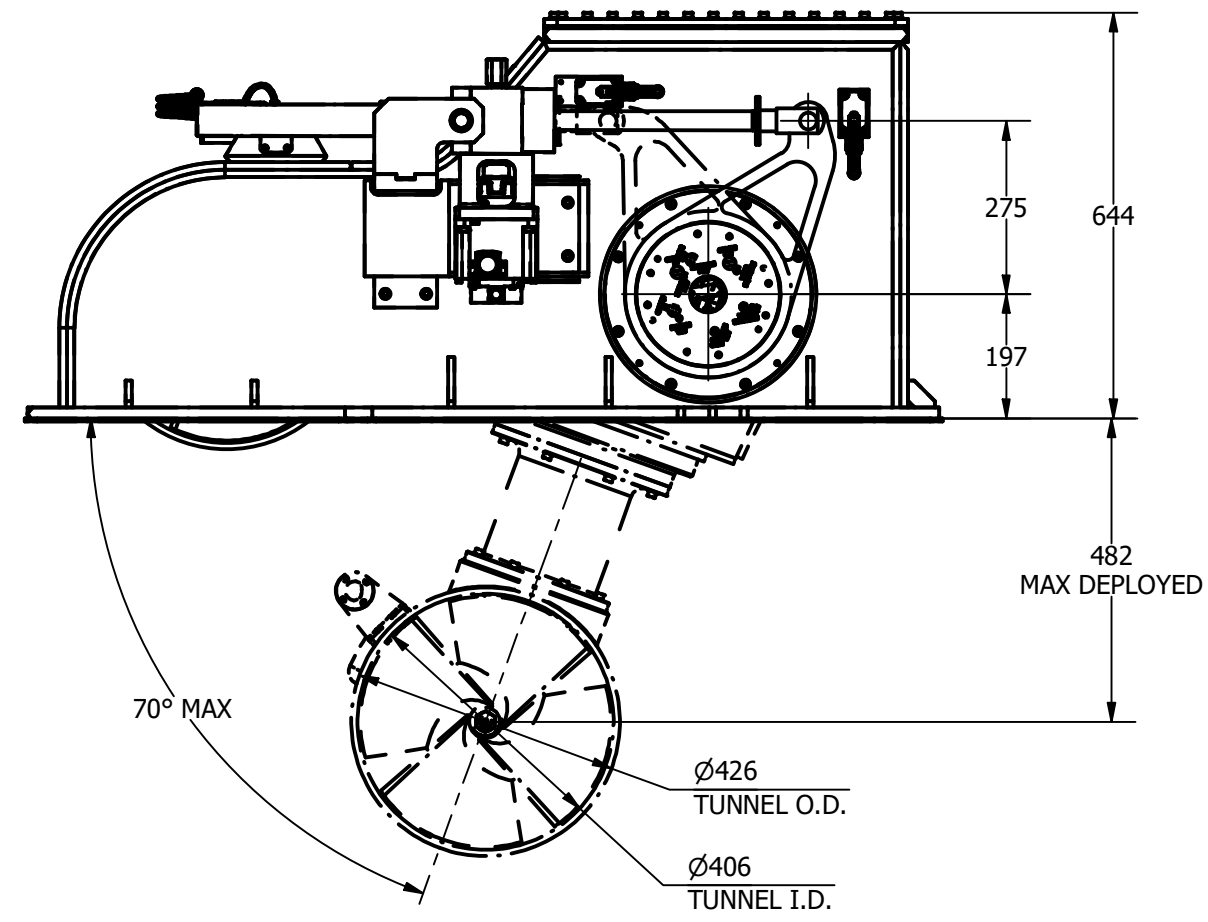
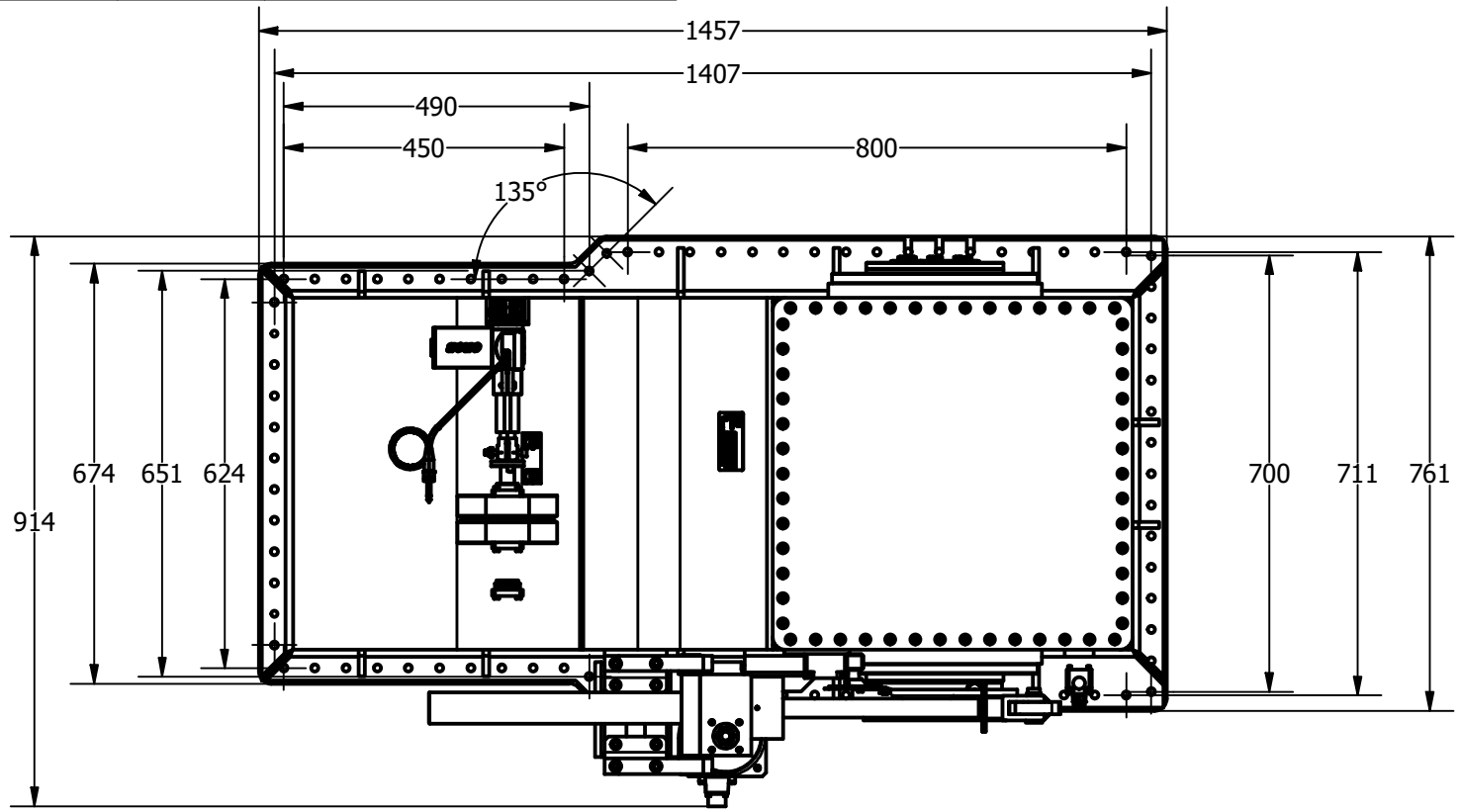




ITEM	QTY	DESCRIPTION
1	1	POD ASSEMBLY
2	1	OUTER BOX ASSEMBLY
3	1	SWING MECHANISM
4	1	TUNNEL ASSEMBLY
5	1	LIFTING MOTOR ASSEMBLY
6	1	PROPELLER 1
7	1	PROPELLER 2

**NOTE:**

- Swing mechanism can be mounted either side of the outer box assembly

NOMINAL PROP DIA	400mm
POWER RANGE	36-63kw (48-84hp)
MIN / MAX THRUST	432-756kgf (952-1667lbf)
WEIGHT APPROXIMATELY	430kg (948lb)



 Tel: +44 (0)1202 596600 www.oceanyachtsystems.co.uk	Title				Revision		Dimensions in millimeters & degrees		
	SWING THRUSTER				3		Gen. Tolerance ± 0.2 Gen. Finish 3.2		
Drawing No.		Material		Finish		 If in doubt ask!			
E-0400-S									
Sheet	Scale	Mass	Date Drawn	By	Modified Date	By	Cert.	Insp.	Grade
1 of 1	N.T.S @ A3	N/A	31/08/2016	LR	05/06/2020	CR			
© Copyright. All rights to this drawing and design are the sole property of Ocean Yacht Systems Ltd. This drawing must not be copied, communicated or loaned to any third party without the written consent of Ocean Yacht Systems Ltd.									