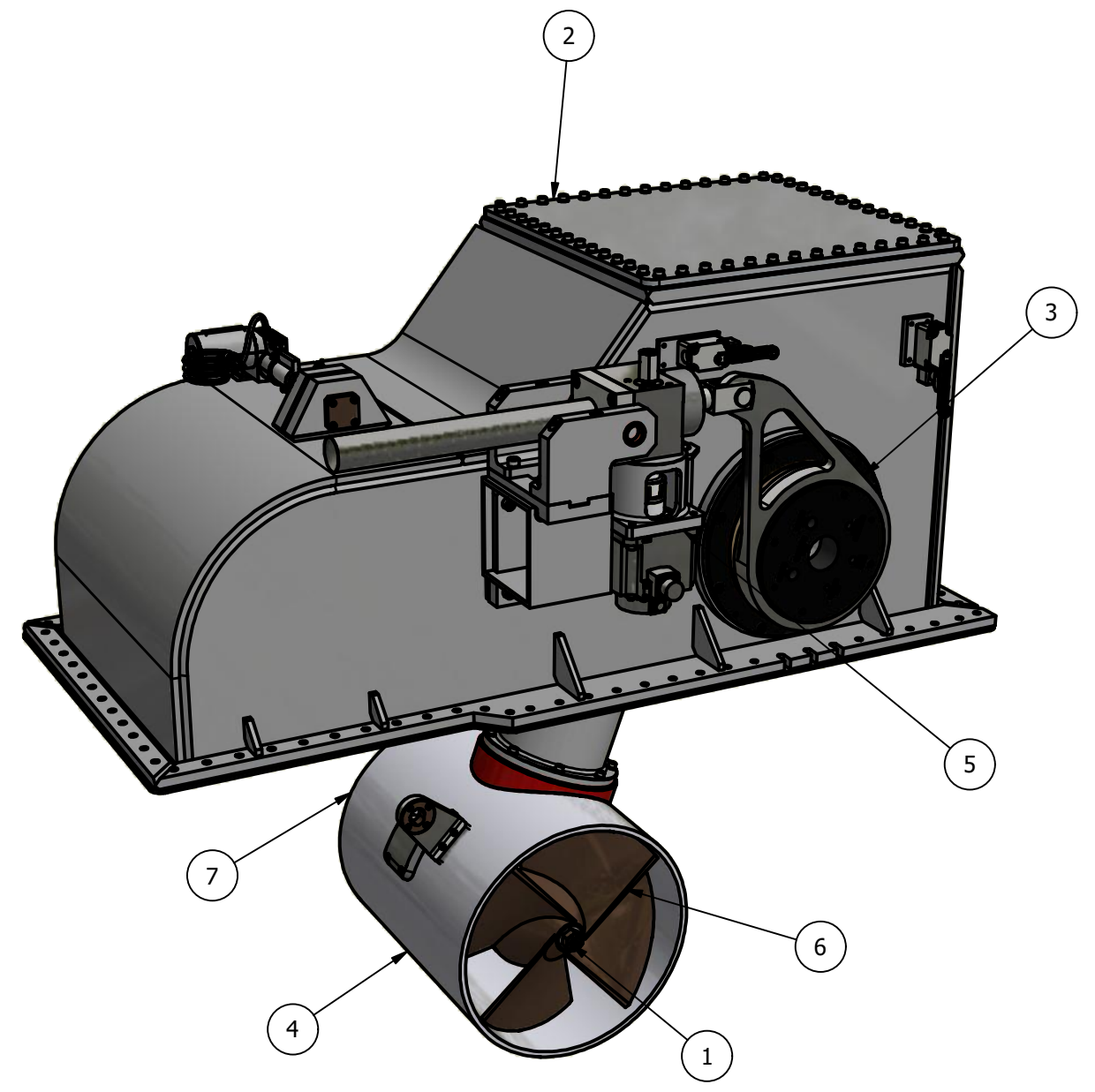
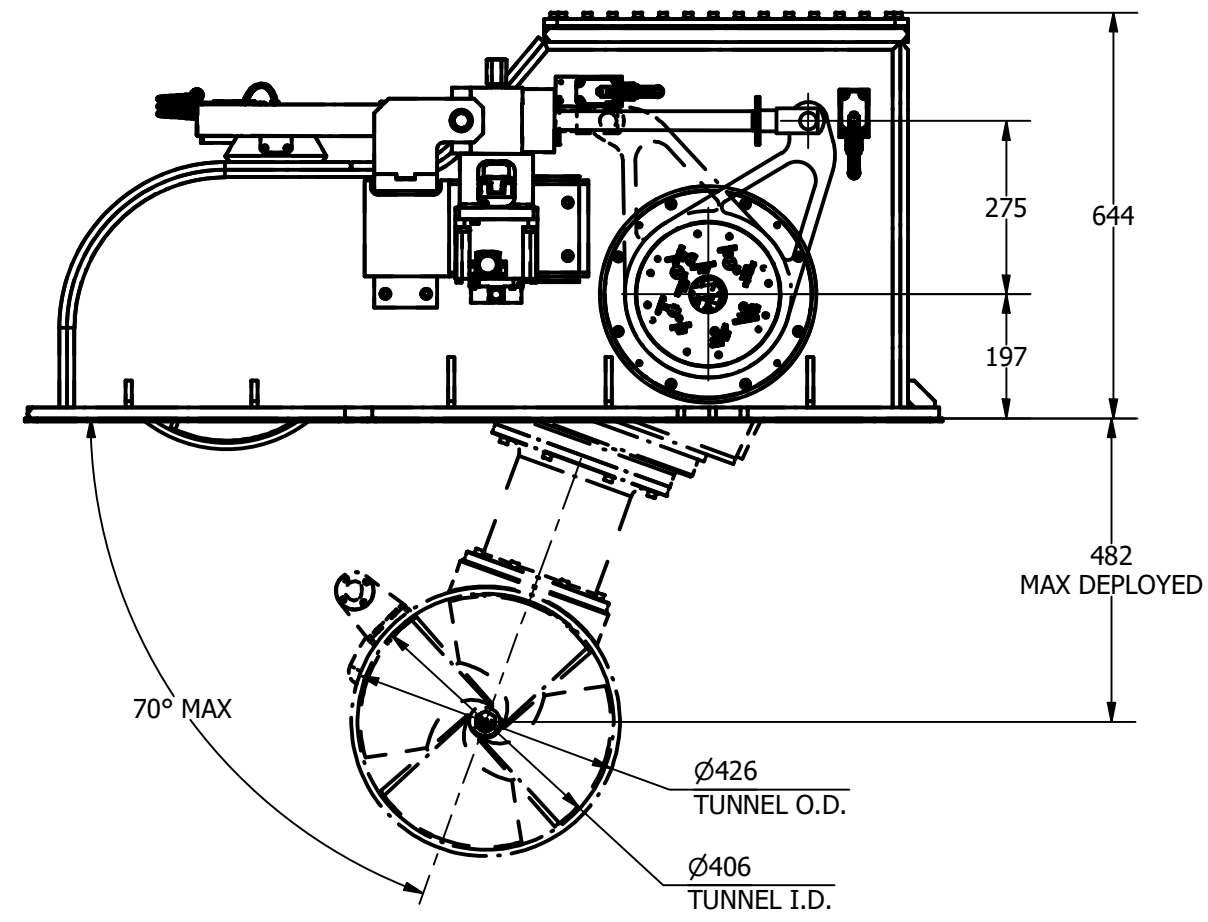
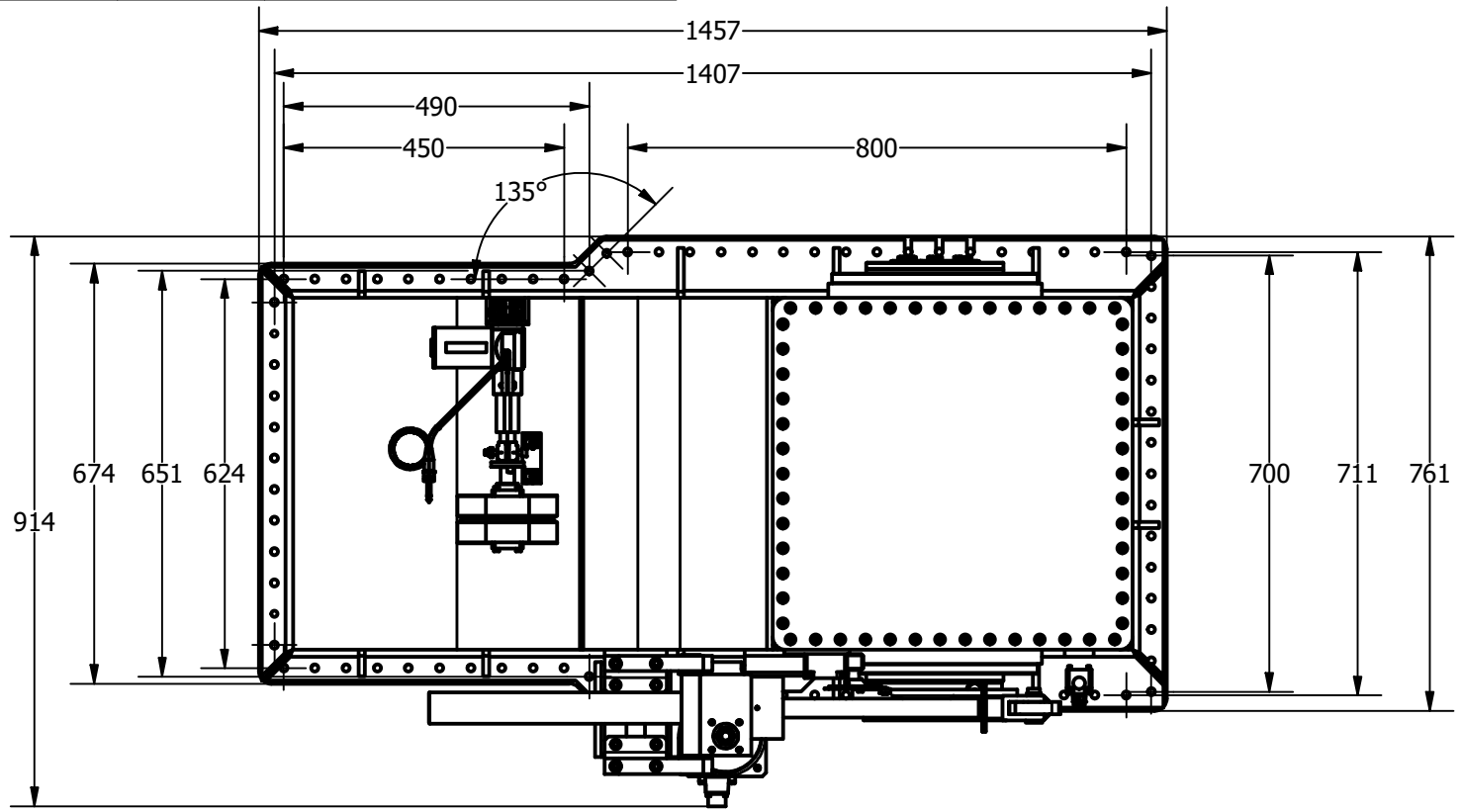


ITEM	QTY	DESCRIPTION
1	1	POD ASSEMBLY
2	1	OUTER BOX ASSEMBLY
3	1	SWING MECHANISM
4	1	TUNNEL ASSEMBLY
5	1	LIFTING MOTOR ASSEMBLY
6	1	PROPELLER 1
7	1	PROPELLER 2

NOTE:

- Swing mechanism can be mounted either side of the outer box assembly

NOMINAL PROP DIA	400mm
POWER RANGE	36-63kw (48-84hp)
MIN / MAX THRUST	432-756kgf (952-1667lbf)
WEIGHT APPROXIMATELY	430kg (948lb)



	Title				Revision		Dimensions in millimeters & degrees						
	SWING THRUSTER				3		Gen. Tolerance ± 0.2 Gen. Finish 3.2						
Drawing No.		Material		Finish		 <i>If in doubt ask!</i>							
E-0400-S													
Sheet 1 of 1		Scale N.T.S @ A3		Mass N/A		Date Drawn 31/08/2016		By LR		Modified Date 28/01/2021		By BW	
Tel: +44 (0)1202 596630 www.oceanmarinesystems.co.uk © Copyright. All rights to this drawing and design are the sole property of Ocean Marine Systems Ltd. This drawing must not be copied, communicated or loaned to any third party without the written consent of Ocean Marine Systems Ltd.													