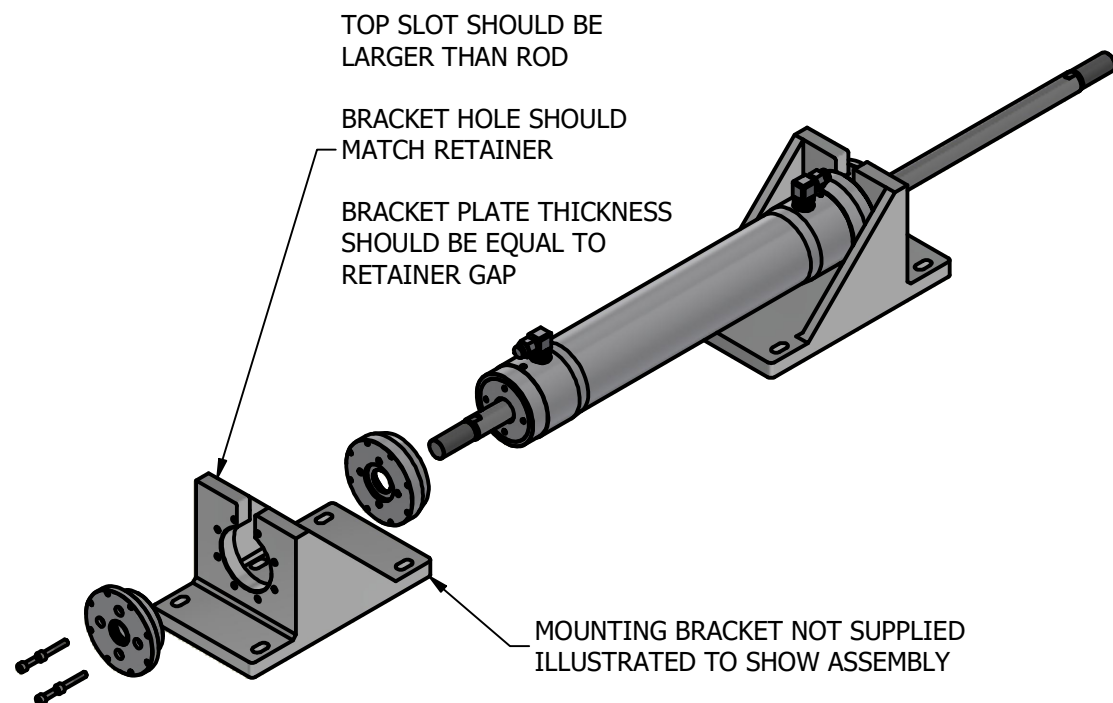
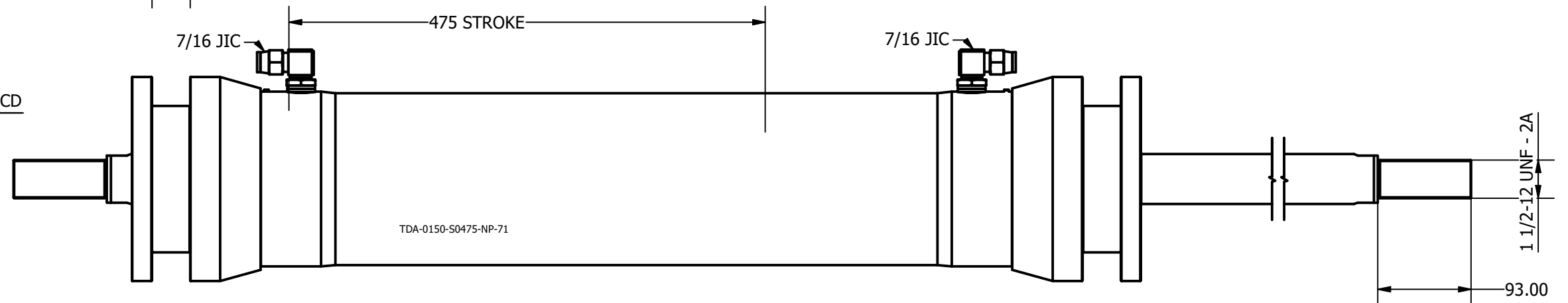
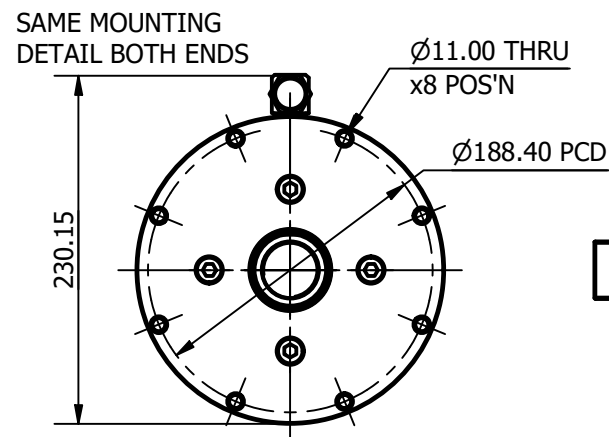
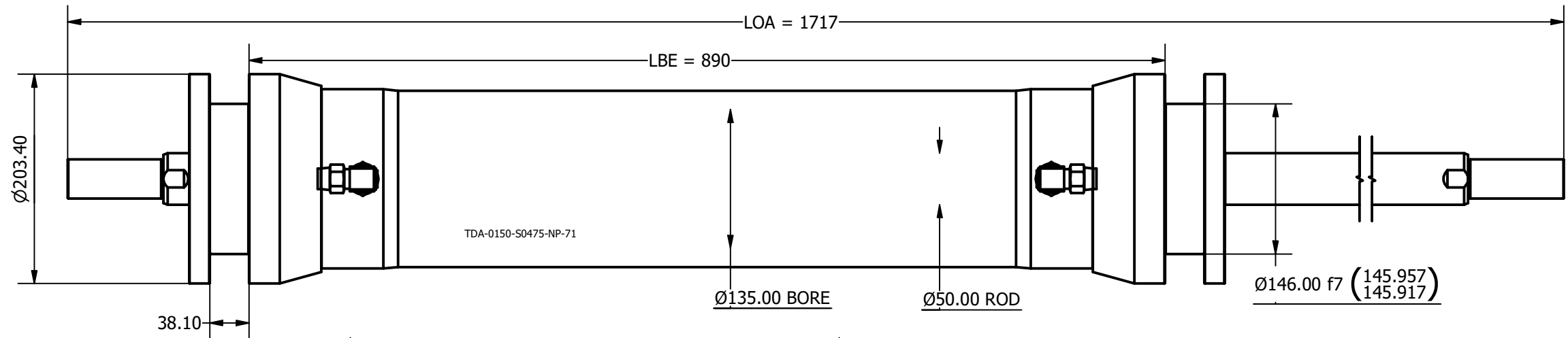


SIZE	-0150
LENGTH	1717 mm
ROD THREAD	1 1/2-12 UNF
BORE DIA	135 mm
ROD DIA	50 mm
STROKE	475 mm
WEIGHT	68.560 Kg
ANNULUS AREA (PULLING/RETRACTING)	12350 mm <sup>2</sup>
OIL DISPLACEMENT	11.73 ltrs
PULL FORCE @ 150 BAR	18884 Kg (185256 N)
PULL FORCE @ 250 BAR	31474 Kg (308760 N)
MAX PULL FORCE @ 350 BAR (RELIEF)	44064 Kg (432264 N)

**NOTE:**

1. CUSTOM VARIATIONS AND ROD THREADS ARE AVAILABLE ON REQUEST
2. ATTACHMENT METHOD CUSTOMISABLE ON REQUEST



	Title <b>ALUMINIUM DOUBLE PULL TRAVELLER CYLINDER</b>		Revision <b>1</b>
	Drawing No. TDA-00150-S0475-NP-71		Date Drawn By 03/11/2021 AL
	Tel: +44 (0)1202 596630 www.oms.ltd		© Copyright. All rights to this drawing and design are the sole property of OMS Ltd. This drawing must not be copied, communicated or loaned to any third party without the written consent of OMS Ltd.