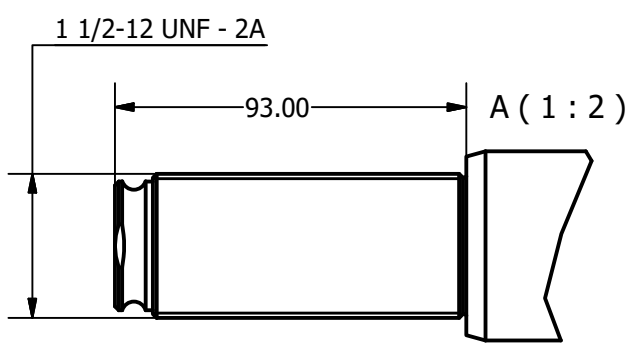
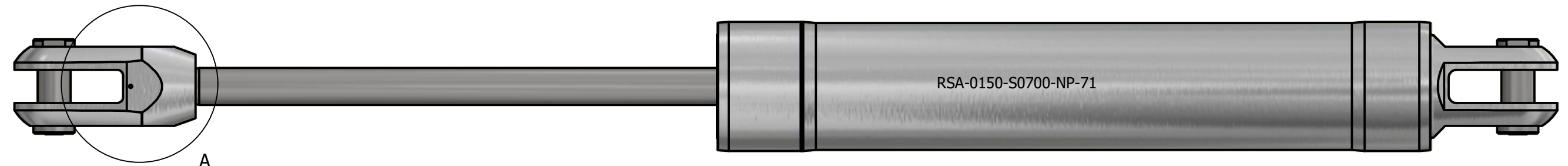
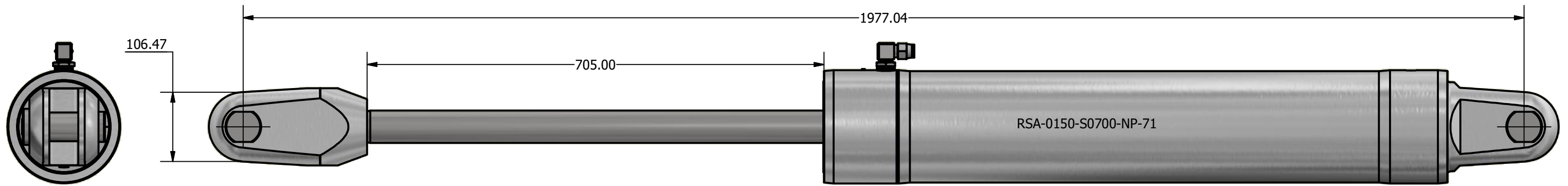
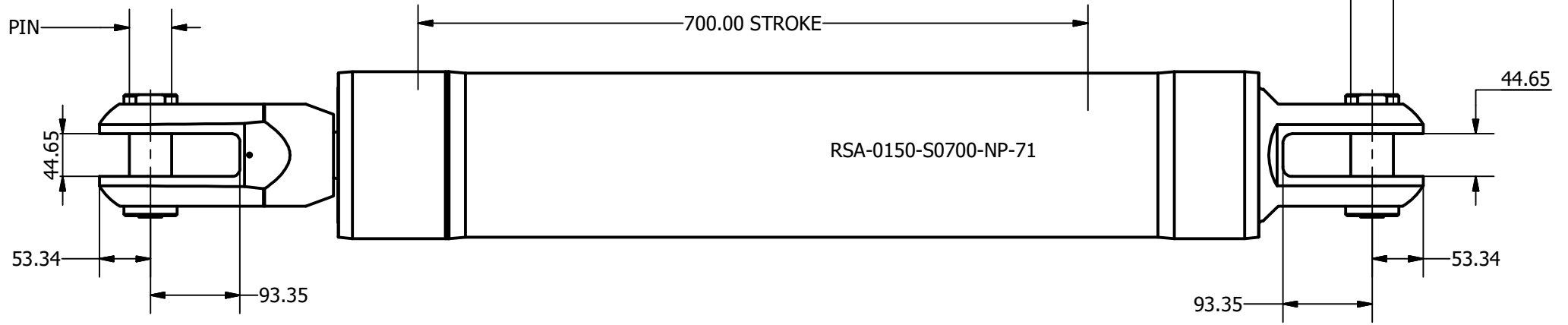
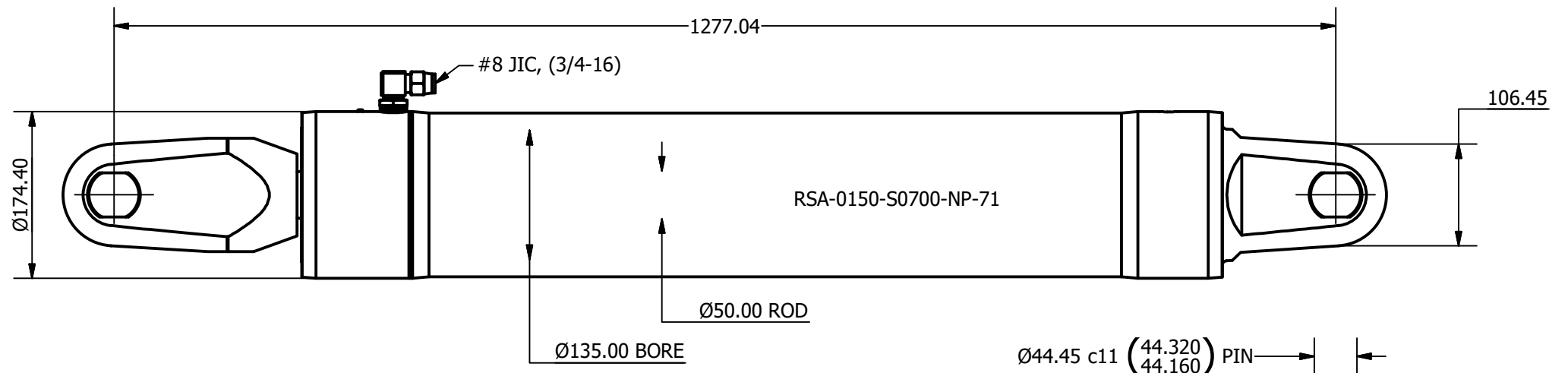

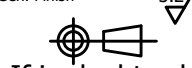


SIZE -0150
 PCLC 1277 mm
 PIN / GAP 44.45 mm
 BORE DIA 135 mm
 ROD DIA 50 mm
 STROKE 700 mm
 WEIGHT 52.26 Kg
 FULL BORE AREA (PUSHING/EXTENDING) 14314 mm²
 ANNULUS AREA (PULLING/RETRACTING) 12350 mm²
 OIL DISPLACEMENT (FULL BORE SIDE) 10.02 ltrs
 OIL DISPLACEMENT (ANNULUS SIDE) 8.65 ltrs
 MAXIMUM PUSH FORCE @ 5 BAR 730 Kg (7157 N)
 PULL FORCE @ 150 BAR 18884 Kg (185256 N)
 PULL FORCE @ 250 BAR 31474 Kg (308760 N)
 MAX PULL FORCE @ 350 BAR (RELIEF) 44064 Kg (432264 N)



NOTE: CUSTOM STROKES, LENGTHS AND CLEVIS DIMENSIONS AVAILABLE UPON REQUEST

 Tel: +44 (0)1202 596600 www.oceanyachtsystems.co.uk	Title ALUMINIUM SINGLE ACTING GAS RETURN CYLINDER			Revision 1	Dimensions in millimeters & degrees Gen. Tolerance ± 0.25 Gen. Finish 3.2				
	Drawing No. RSA-0150-S0700-NP-71		Material	Finish AS MACHINED		 If in doubt ask!			
Sheet 1 of 1	Scale 1:6 @ A3	Mass N/A	Date Drawn 09/08/2017	By L.R.	Modified Date 	By	Mat. Cert. 	Insp. Lev. III	Fin. Lev. A